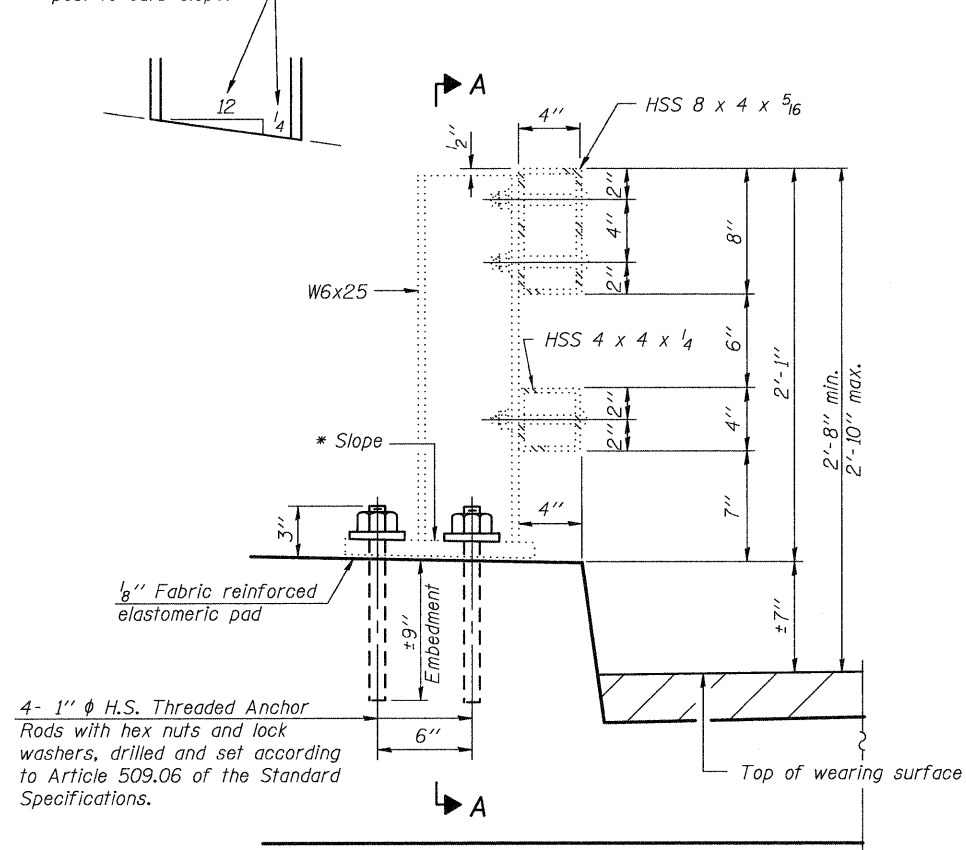
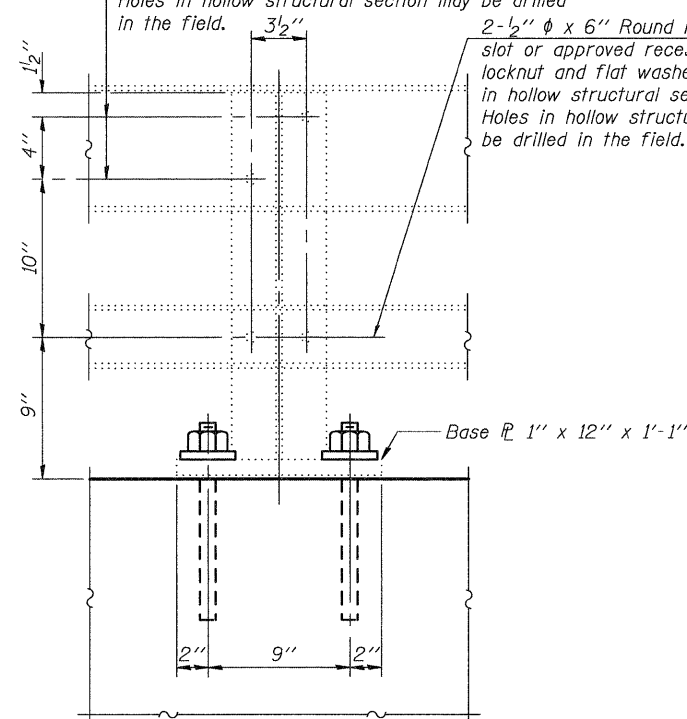


* Cut bottom end of post to curb slope.



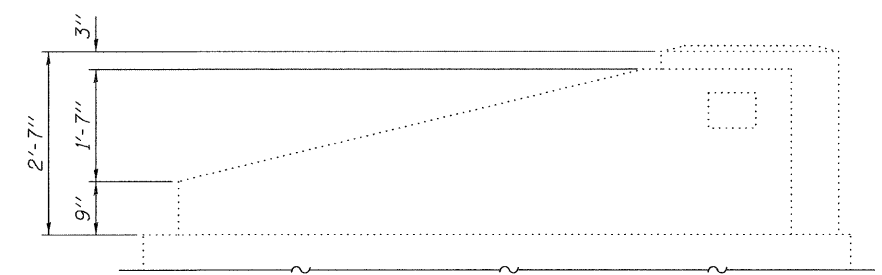
4- 1" ϕ H.S. Threaded Anchor Rods with hex nuts and lock washers, drilled and set according to Article 509.06 of the Standard Specifications.

2- 3/4" ϕ x 6" Round Head Bolts (With slot or approved recess in head.) with locknut and flat washer. 7/8" ϕ Holes in tubing and posts. Holes in hollow structural section may be drilled in the field.



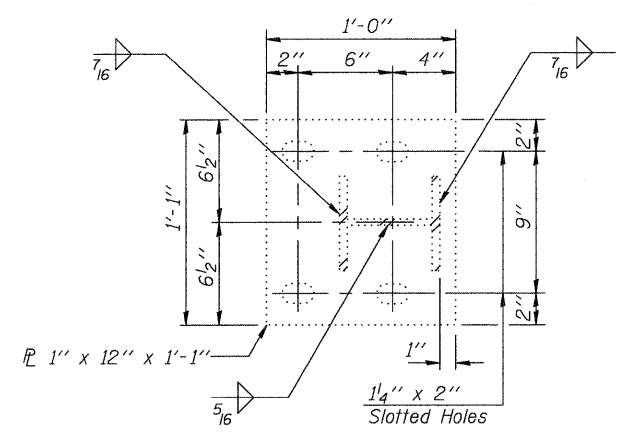
2- 1/2" ϕ x 6" Round Head Bolts (With slot or approved recess in head.) with locknut and flat washer. 5/8" ϕ Holes in hollow structural section and post. Holes in hollow structural section may be drilled in the field.

SECTION A-A



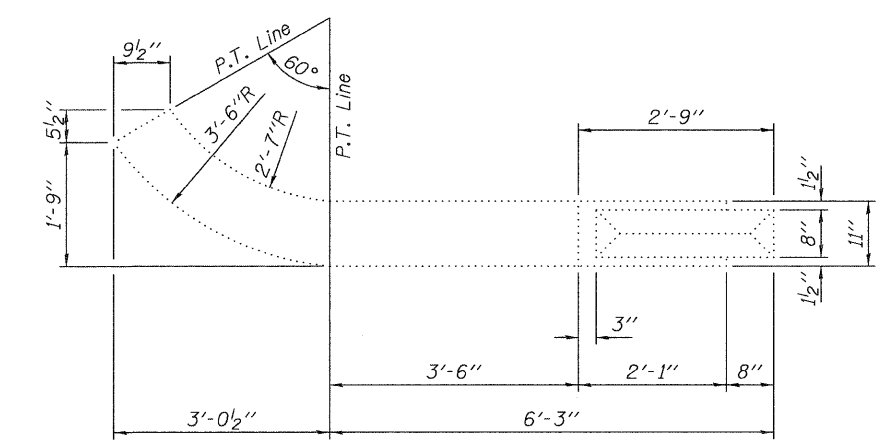
ELEVATION - END POST

SECTION AT RAIL POST



BASE PLATE DETAIL

Note:
Rail Posts to be removed as needed at joint repair locations. Use new H.S. Threaded Anchor Rods to reinstall, as specified. Cost included with Concrete Superstructure.



PLAN - END POST

| | | | | | | | | | | |
|-------------------------|---|----------------------|---|------------------------------|-----|---------------------------|-----------|--------|--------------|-----------|
| DESIGNED - ADY | EXAMINED - <i>Joey F. Kelly</i> ACTING ENGINEER OF STRUCTURAL SERVICES | DATE - MARCH 8, 2012 | STATE OF ILLINOIS DEPARTMENT OF TRANSPORTATION | REPAIR DETAILS | | F.A. RTE. | SECTION | COUNTY | TOTAL SHEETS | SHEET NO. |
| CHECKED - MKC | PASSED - <i>Carl Rogers</i> ACTING ENGINEER OF BRIDGES AND STRUCTURES | | | | 738 | (5B-2)M | WINNEBAGO | 22 | 16 | |
| DRAWN - Kyle M. Steffen | | | | SN 101-0037 (NB) & 0038 (SB) | | CONTRACT NO. 64H23 | | | | |
| CHECKED - ADY MKC | | | | SHEET NO. 6 OF 6 SHEETS | | ILLINOIS FED. AID PROJECT | | | | |