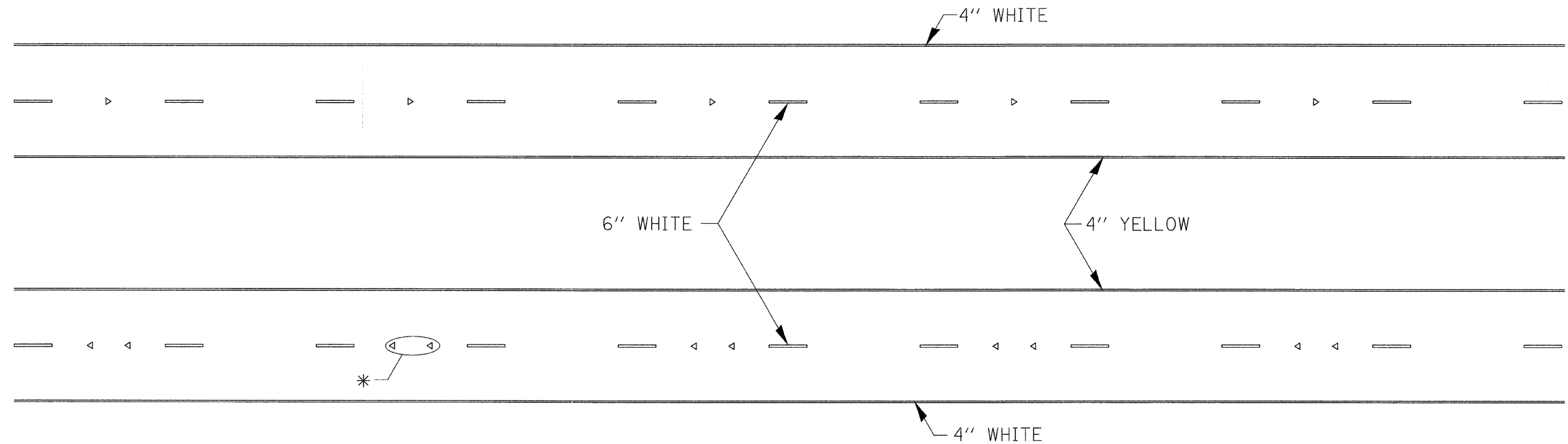
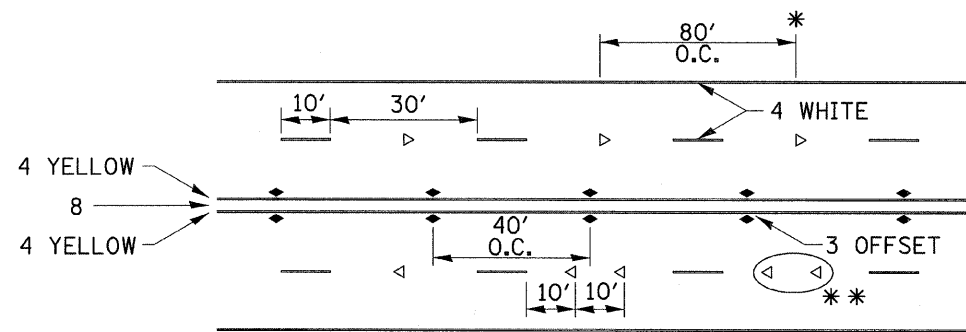


TYPICAL PAVEMENT MARKINGS



* SEE HIGHWAY STANDARD 781001 FOR SPACING DETAILS.
USE DOUBLE MARKERS WHEN ADT \geq 25,000.

MULTI-LANE / DIVIDED



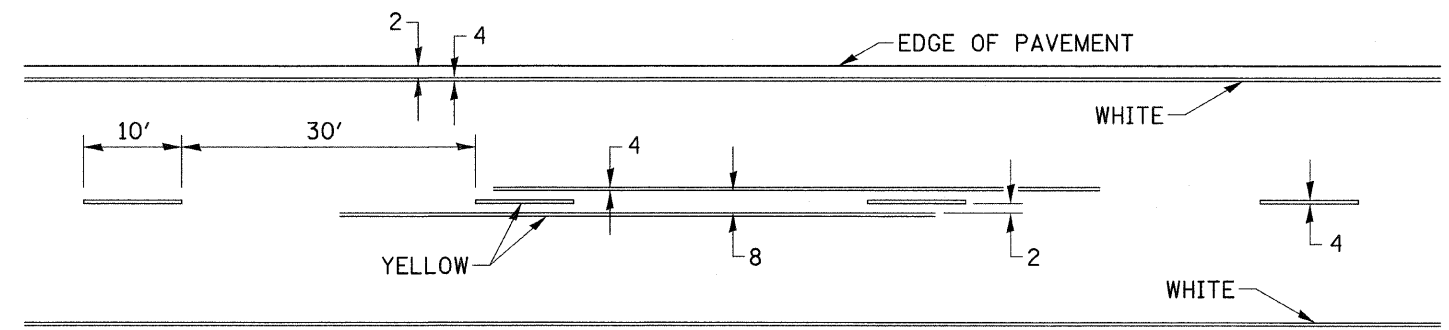
* REDUCE TO 40' O.C. ON CURVES WHERE ADVISORY SPEEDS ARE 10 MPH LOWER THAN POSTED SPEEDS.

** USE DOUBLE MARKERS WHEN ADT \geq 25,000

MULTI-LANE / UNDIVIDED

(FOR MULTI-LANE UNDIVIDED HIGHWAYS USE THIS
DETAIL NOT HIGHWAY STANDARD 781001)

TYPICAL PAVEMENT MARKING FOR TWO LANE SECTION - NO PASSING ZONES



SYMBOLS

FILE NAME =	USER NAME = IDOT	DESIGNED -	REVISED - 10-18-11	STATE OF ILLINOIS DEPARTMENT OF TRANSPORTATION	REGION 2 / DISTRICT 2 STANDARD			F.A.S. RTE.	SECTION	COUNTY	TOTAL SHEETS	SHEET NO.
11\102704_Fes205_174\cadd sheets\0264H7	shht-STD41.Ldgn	DRAWN -	REVISED -					205	(81-2HB-1M)	ROCK ISLAND	29	28
	PLOT SCALE = 50.0000' / IN.	CHECKED -	REVISED -		SCALE: SHEET NO. OF SHEETS STA. TO STA.			FED. ROAD DIST. NO. 1 (ILLINOIS) FED. AID PROJECT				
	PLOT DATE = 1/24/2012	DATE -	REVISED -					CONTRACT NO. 64H71				