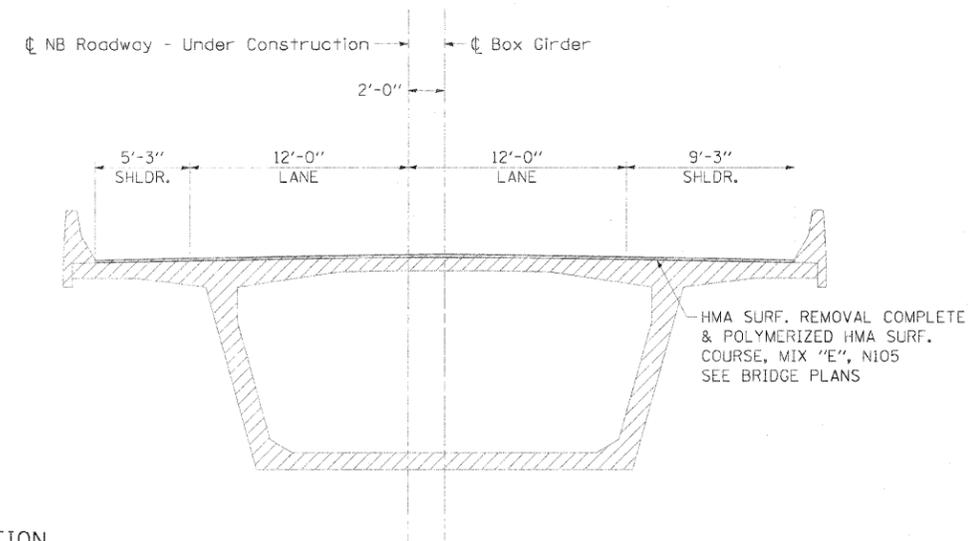
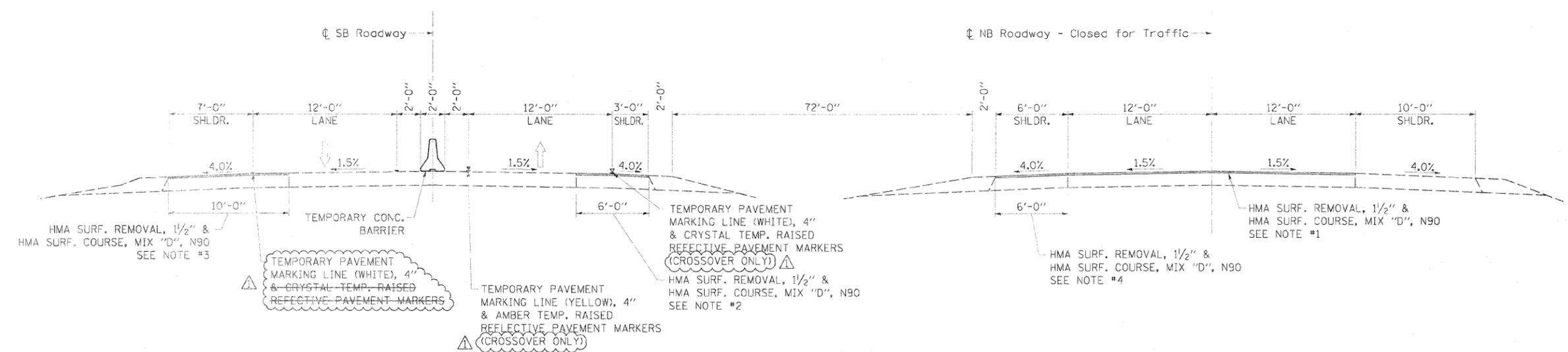


*BARRIER WALL MARKERS, TYPE C INCLUDED WITH THE COST OF STANDARD 701416.



STAGE 1 - BRIDGE TYPICAL SECTION

Construction in this Stage



STAGE 1 - ROADWAY TYPICAL SECTION

NOTE:

SEE CROSSOVER PAVING PLAN SHEET FOR WIDENING DETAILS THRU THE CROSSOVERS. STA. 2405+33.9 TO STA. 2409+92.7

NOTE #1
STA. 2430+44.0 TO STA. 2430+69.0

NOTE #2
STA. 2409+92.7 TO STA. 2419+60.0
STA. 2431+30.0 TO STA. 2438+07.4
STA. 2440+32.3 TO STA. 2442+00.0

NOTE #3
STA. 2405+00.0 TO STA. 2419+60.0
STA. 2431+30.0 TO STA. 2449+00.0

NOTE #4
STA. 2443+00.0 TO STA. 2447+11.0

FILE NAME =	USER NAME = brenn0214	DESIGNED - BJB	REVISED - 3/30/2012 BJB
c:\pwise\work\do_not_delete\ans59294\324-72-shu-typical01.dgn		DRAWN - BJB	REVISED -
		CHECKED - JMH	REVISED -
		DATE - 2/9/12	REVISED -

**STATE OF ILLINOIS
DEPARTMENT OF TRANSPORTATION**

**TYPICAL SECTIONS - STAGE 1 CONSTRUCTION
I-39 OVER KISHWAUKEE RIVER**

SCALE: SHEET 1 OF 2 SHEETS STA. TO STA.

F.A.I. RTE.	SECTION	COUNTY	TOTAL SHEETS	SHEET NO.
39	(201-1B/M-3	WINNEBAGO	38	6
CONTRACT NO. 64H72				
ILLINOIS FED. AID PROJECT				