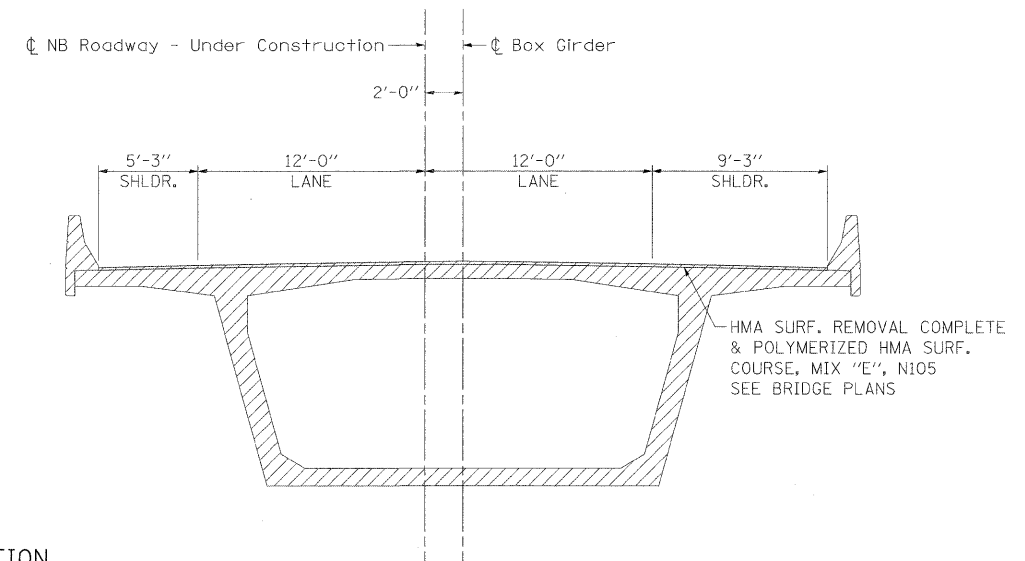
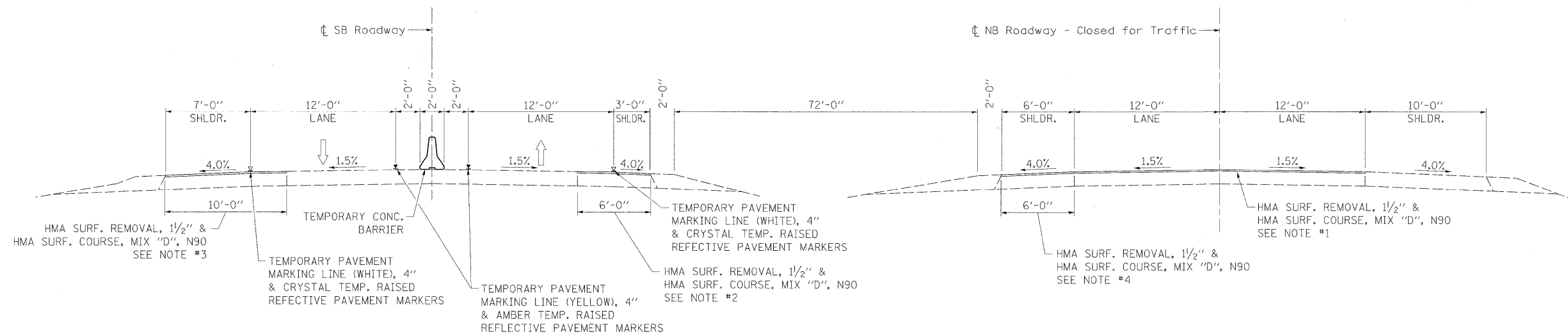


*BARRIER WALL MARKERS, TYPE C INCLUDED WITH THE COST OF STANDARD 701416.



STAGE 1 - BRIDGE TYPICAL SECTION

Construction in this Stage



STAGE 1 - ROADWAY TYPICAL SECTION

NOTE:

SEE CROSSOVER PAVING PLAN SHEET FOR WIDENING DETAILS THRU THE CROSSOVERS. STA. 2405+33.9 TO STA. 2409+92.7

NOTE #1
STA. 2430+44.0 TO STA. 2430+69.0

NOTE #2
STA. 2409+92.7 TO STA. 2419+60.0
STA. 2431+30.0 TO STA. 2438+07.4
STA. 2440+32.3 TO STA. 2442+00.0

NOTE #3
STA. 2405+00.0 TO STA. 2419+60.0
STA. 2431+30.0 TO STA. 2449+00.0

NOTE #4
STA. 2443+00.0 TO STA. 2447+11.0

FILE NAME =	USER NAME = pearc00397	DESIGNED - BJB	REVISED -	STATE OF ILLINOIS DEPARTMENT OF TRANSPORTATION	TYPICAL SECTIONS - STAGE 1 CONSTRUCTION I-39 OVER KISHWAUKEE RIVER			F.A.I. RTE.	SECTION	COUNTY	TOTAL SHEETS	SHEET NO.
c:\prjse_work\do_not_delete\dms59254\0254472-svt-typical01.dgn	PLOT SCALE = 5.0000' / 1in.	DRAWN - BJB	REVISED -					39	(201-1B)M-3	WINNEBAGO	38	6
	PLOT DATE = 02/09/2012	CHECKED - JMH	REVISED -		SCALE: SHEET 1 OF 2 SHEETS STA. TO STA.			CONTRACT NO. 64H72				
		DATE - 2/9/12	REVISED -		ILLINOIS FED. AID PROJECT							