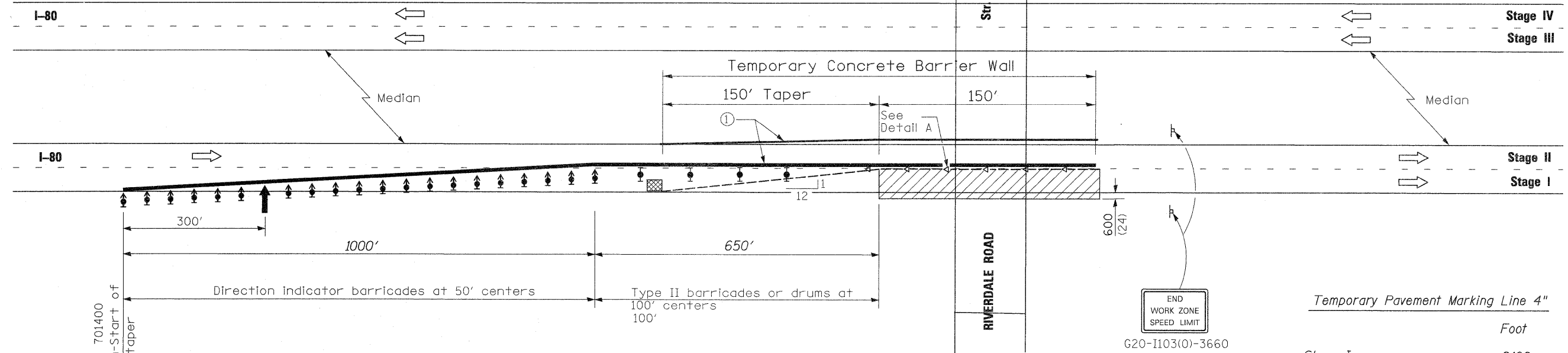


Traffic Control Plan



See Standard 701400 for approach-start of lane closure taper

Pavement Marking Removal

Stage I	100
Stage II	100
Stage III	100
Stage IV	100
Total	400 Sq Ft

Temporary Concrete Barrier

Stage I	300 Feet
Total	300 Feet

Relocate Temporary Concrete Barrier

Stage II	300
Stage III	300
Stage IV	300
Total	900

Impact Attenuators, Temporary

Stage I	1 Each
Total	1 Each

Impact Attenuators, Relocate

Stage II	1
Stage III	1
Stage IV	1
Total	3 Each

Temporary Pavement Marking Line 4"

	Foot
Stage I	2100
Stage II	2100
Stage III	2100
Stage IV	2100
Total	8400 Foot

Workzone Pavement Marking Removal

	Sq Ft
Stage I	700
Stage II	700
Stage III	700
Stage IV	700
Total	2800 Sq Ft

Short-term pavement marking

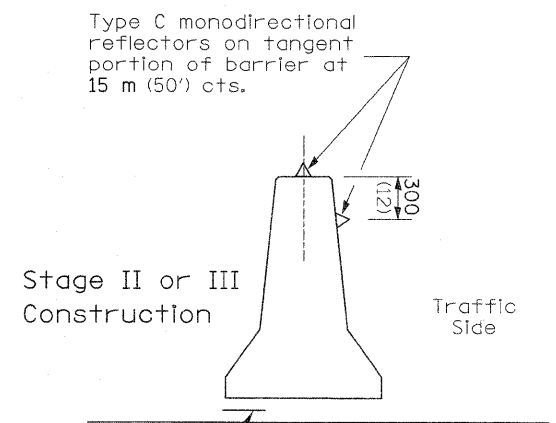
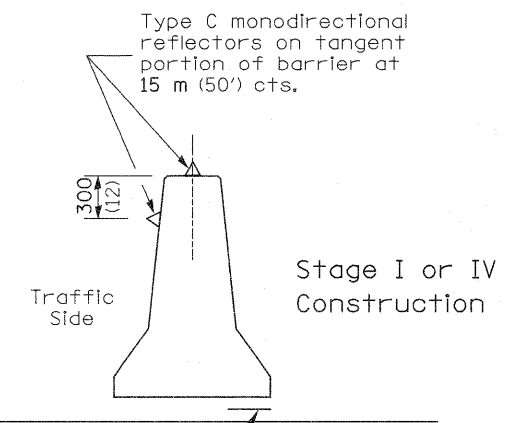
Project	48
Total	48 Feet

SYMBOLS

- Arrow board
- Work area
- Sign
- Direction indicator barricade with steady burn monodirectional light
- Type II barricade or drum with steady burn monodirectional light
- Temporary concrete barrier
- Type C Monodirectional reflector
- Impact attenuator

① Temporary pavement marking shall be placed throughout the taper and along-side the work area. The edge line shall be white for right lane closure and yellow for left lane closures.

All dimensions are in millimeters (inches) unless otherwise shown.



Traffic Control Plan
 TR 376 over I-80
 Various Routes Section D2 Bridge Painting 2011-2
 Various Counties
 Structure No. 037-0116