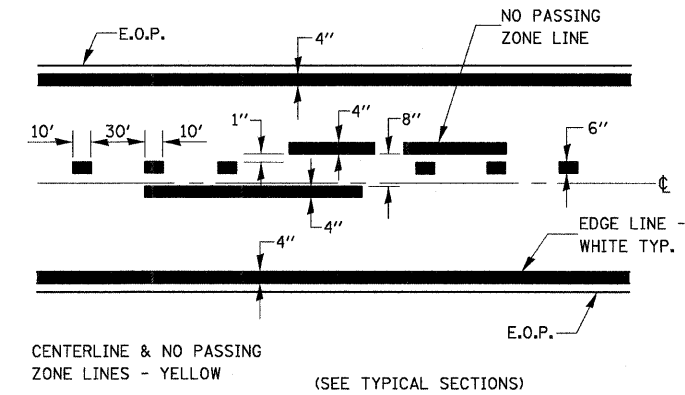


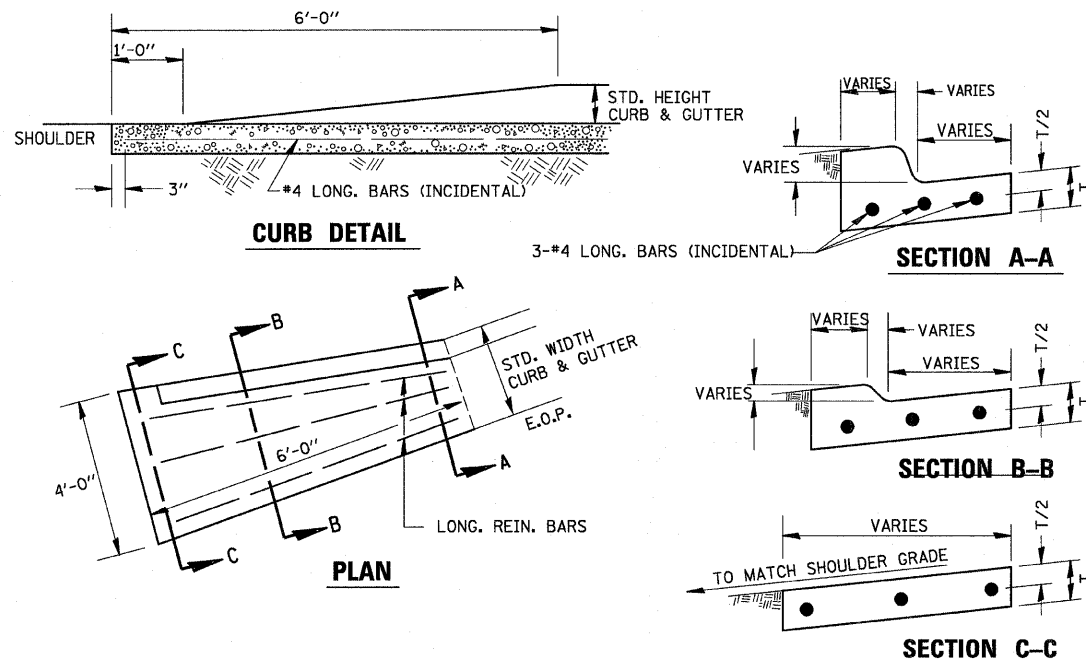
REINFORCEMENT SHALL NOT BE PAID FOR SEPARATELY BUT WILL BE INCLUDED IN THE CONTRACT UNIT PRICE FOR CC&G.

**REINFORCEMENT DETAIL  
FOR  
COMBINATION CONCRETE  
CURB AND GUTTER  
TYPE B-6.24**

NOTE:  
SIMILAR REINFORCEMENT USED FOR TRANSITION & TYPE B-9.24

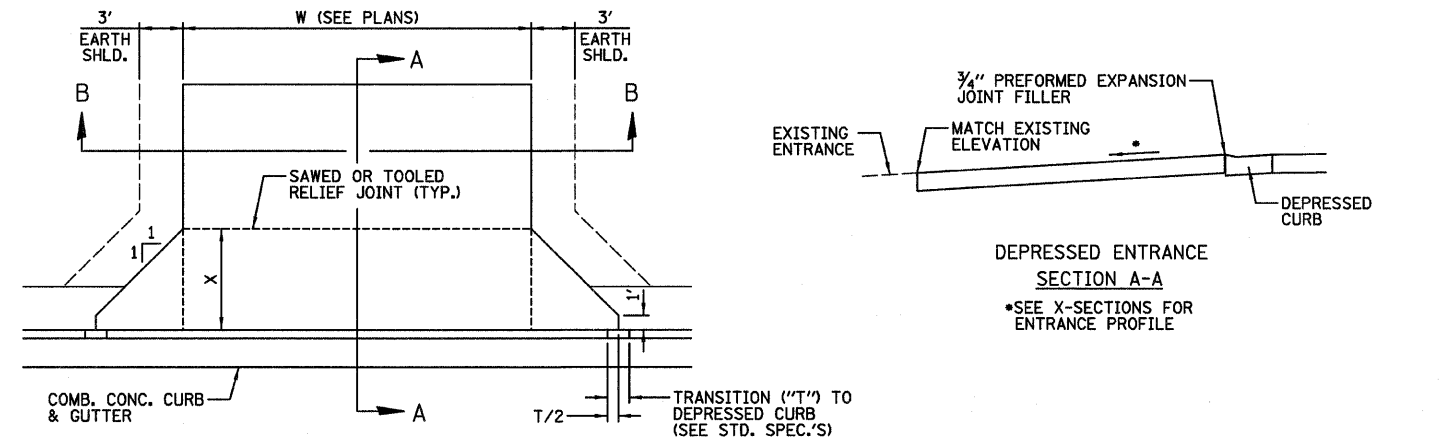


**PAVEMENT MARKING**



NOTE:  
CLASS SI CONCRETE SHALL BE USED THROUGHOUT. OUTLET SHALL BE TIED TO CURB AND GUTTER AT CONTRACTION JOINTS AS SHOWN. COST TO BE INCLUDED IN THE UNIT PRICE PER CU. YD. FOR CLASS SI CONCRETE (OUTLET).

**CURB & GUTTER OUTLET, SPECIAL**



**GENERAL NOTES:**

- X = 7' (NON-COMMERCIAL) X = 15' (COMMERCIAL)
- COST OF EXPANSION JOINTS AND RELIEF JOINTS SHALL BE INCLUDED IN THE COST OF THE P.C.C. DRIVEWAY PAVEMENT.

**PCC URBAN ENTRANCE**

FILE NAME =	USER NAME = #USER#	DESIGNED - JML	REVISED -
#FILE#		DRAWN - JJO	REVISED -
	PLOT SCALE = #SCALE#	CHECKED - MSW	REVISED -
	PLOT DATE = #DATE#	DATE - 11/07/11	REVISED -

**STATE OF ILLINOIS  
DEPARTMENT OF TRANSPORTATION**

**DETAILS**

SCALE:	SHEET NO. OF SHEETS	STA. TO STA.
--------	---------------------	--------------

F.A.P. RTE. 623	SECTION (G-1) BR-2	COUNTY LASALLE	TOTAL SHEETS 48	SHEET NO. 39
CONTRACT NO. 66972				
FED. ROAD DIST. NO.		ILLINOIS FED. AID PROJECT		