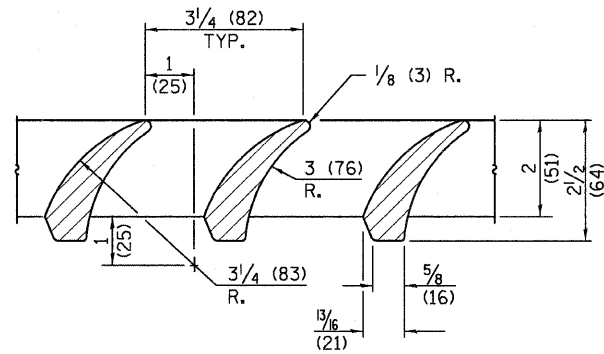
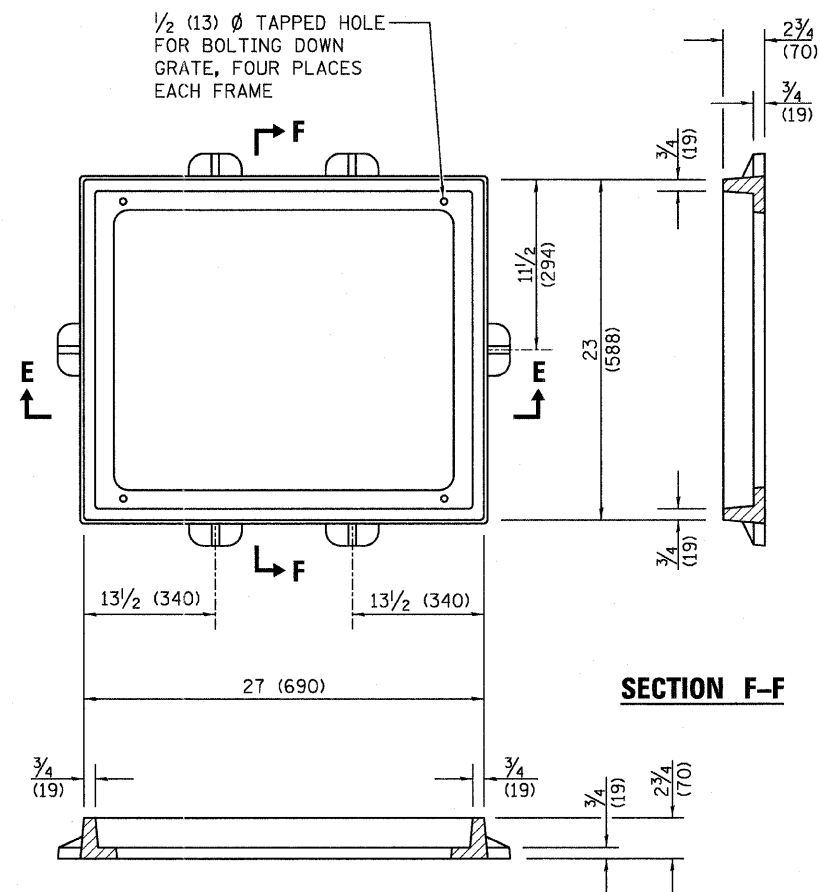


SECTION C-C

DETAIL OF CAST GRATE
TYPE B REQUIRES 1 GRATE



DETAIL B

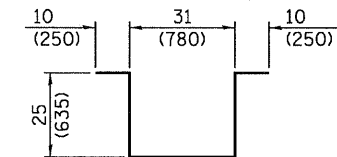


SECTION E-E

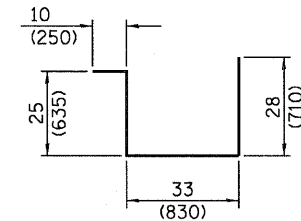
DETAIL OF CAST FRAME

INLET BOX

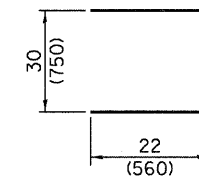
REQUIRED MATERIAL			
BAR	QTY.	SIZE	LENGTH
u	4	#4 (#13)	8'-5" (2,550 m)
u ₁	3	#4 (#13)	8'-0" (2,425 m)
u ₂	4	#4 (#13)	6'-2" (1,870 m)
CONCRETE	CU. YD. (m ³)		0.5 (0.4)
REINF. BARS	LBS. (kg)		55.0 (25.0)
GRATING	SQ. FT. (m ²)		3.6 (0.34)



BAR u



BARS u₁



BARS u₂

**TYPE B INLET BOX,
STANDARD 609006 (SPECIAL)**

(SHEET 2 OF 2)

FILE NAME =	USER NAME = #USER#	DESIGNED - JML	REVISED -	STATE OF ILLINOIS DEPARTMENT OF TRANSPORTATION	DETAILS			F.A.P. RTE. 623	SECTION (G-1) BR-2	COUNTY LASALLE	TOTAL SHEETS 48	SHEET NO. 41
#FILE#		DRAWN - JJO	REVISED -		SCALE:	SHEET NO. OF SHEETS STA.	TO STA.	CONTRACT NO. 66972				
		CHECKED - MSW	REVISED -					FED. ROAD DIST. NO. ILLINOIS FED. AID PROJECT				
		DATE - 11/07/11	REVISED -									