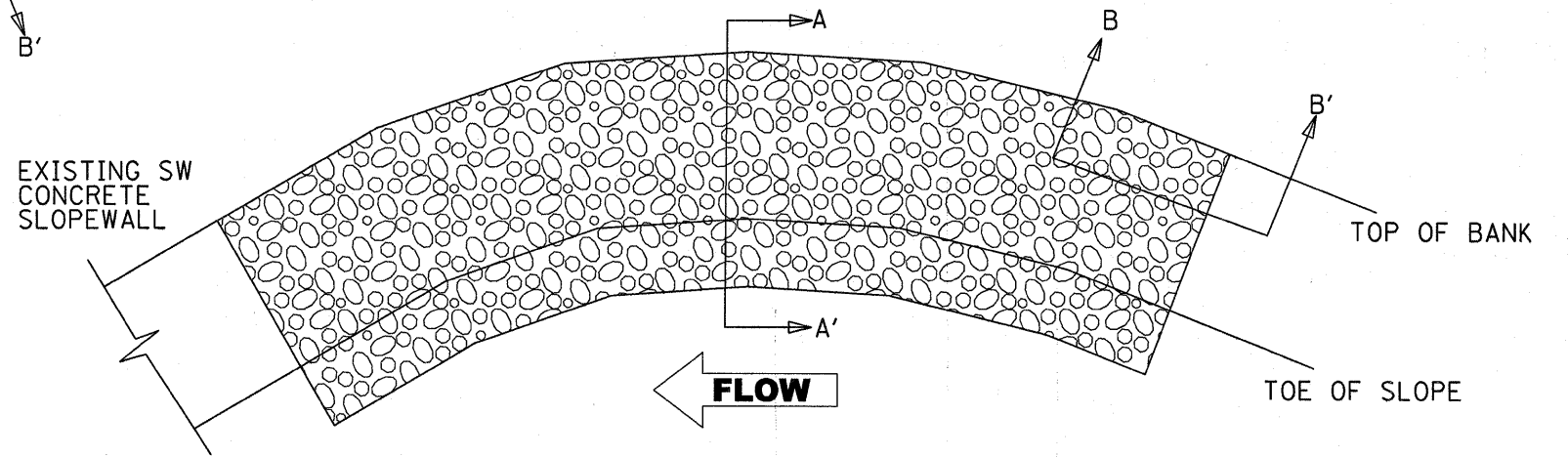


**PLAN VIEW**

STA. ± 108+25 RT. TO STA. ± 110+25 RT.

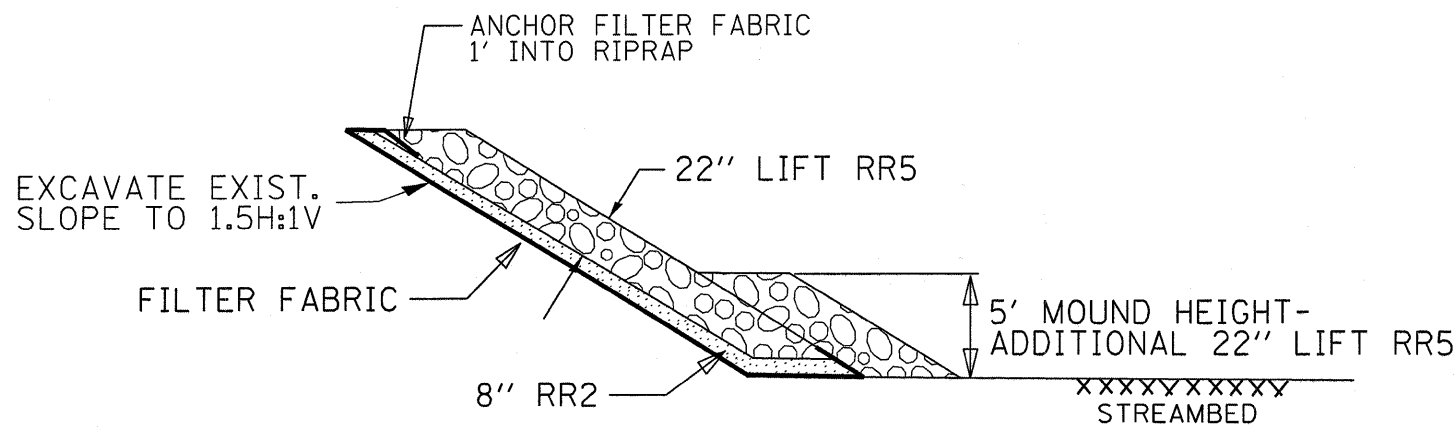


**PLAN VIEW**

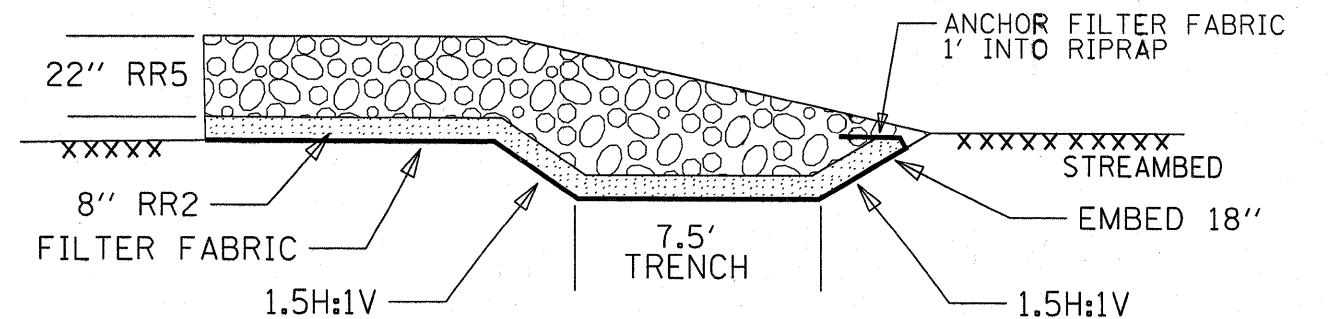
STA. ± 105+77 LT. TO STA. ± 107+05 LT.

NOTE: ALL FILTER FABRIC THROUGHOUT JOB LIMITS SHALL HAVE THE FOLLOWING CHARACTERISTICS:

1. AN APPARENT OPENING SIZE (AOS) < 0.3 mm
2. PERMEABILITY > 1.5 GAL/MIN/SQ FT



**SECTION A-A'**  
MOUNDED TOE  
SLOPE TERMINATION



**SECTION B-B'**  
KEY-IN TRENCH

FILE NAME =	USER NAME = ferguson	DESIGNED -	REVISED -	<b>STATE OF ILLINOIS DEPARTMENT OF TRANSPORTATION</b>	<b>RIPRAP REVETMENT DETAILS</b>	F.A. RTE.	SECTION	COUNTY	TOTAL SHEETS	SHEET NO.
or\pwork\pwidot\ferguson\0234185\B	Details.DGN	DRAWN -	REVISED -			2245	(22)I	BUREAU	10	7
PLOT SCALE = 50.0000' / in.		CHECKED -	REVISED -			CONTRACT NO. 66A65		ILLINOIS FED. AID PROJECT		
PLOT DATE = 3/8/2012		DATE -	REVISED -			SCALE: NTS	SHEET NO. OF SHEETS	STA. TO STA.		