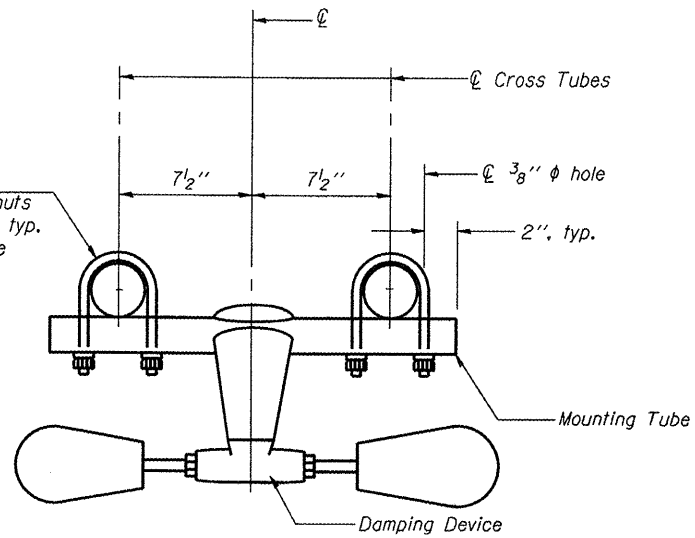
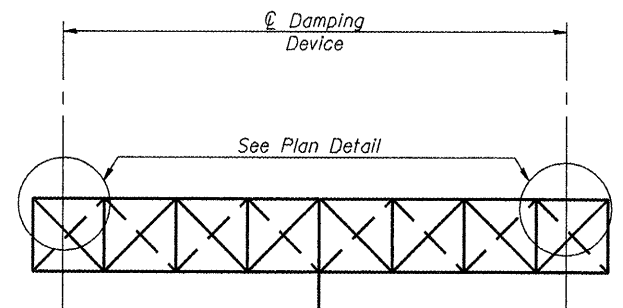


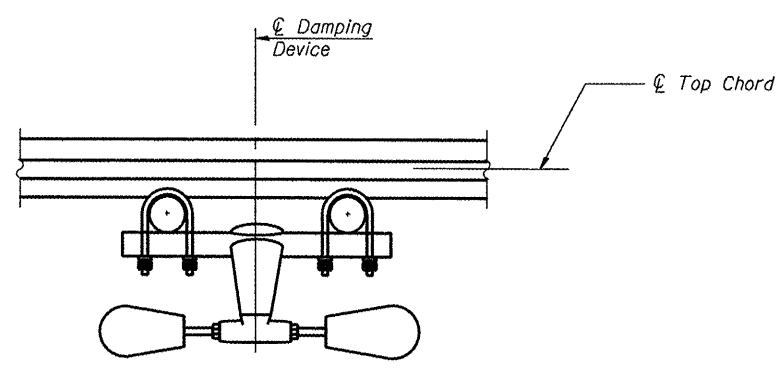
**PLAN DETAIL**



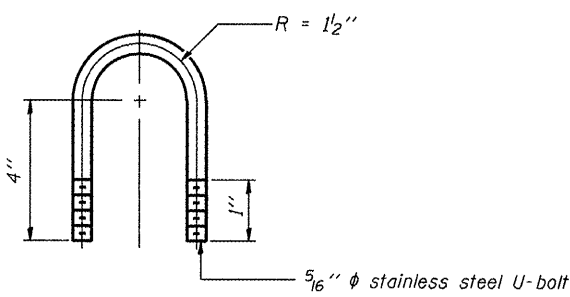
**TRUSS DAMPING DEVICE CONNECTION DETAIL**



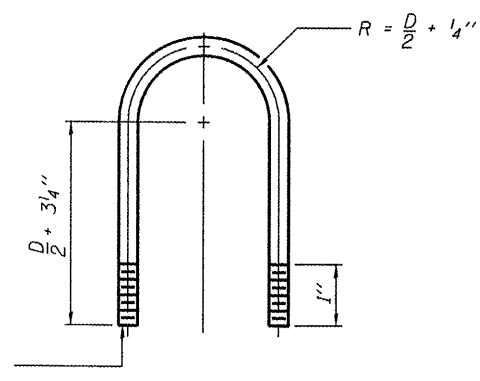
**ELEVATION**  
Aluminum Butterfly Sign Structure



**SECTION A-A**



**DAMPING DEVICE MOUNTING TUBE U-BOLT DETAIL**  
(Typical)



**TOP CHORD TO CROSS TUBE U-BOLT DETAIL**  
(Typical)

**GENERAL NOTES**

- Damper: One damper per truss. (31 lbs. Stockbridge-Type Aluminum-29" minimum between ends of weights)
- Materials: Aluminum tubes shall be ASTM B221 alloy 6061 temper T6

OSF-A-D

1-20-11

FILE NAME =	USER NAME = potelijj	DESIGNED -	REVISED -
ca:\pwwork\prijda\potelijj\20250292\0366828-shd-details.DGN		DRAWN -	REVISED -
		CHECKED -	REVISED -
		DATE -	REVISED -

STATE OF ILLINOIS  
DEPARTMENT OF TRANSPORTATION

BUTTERFLY SIGN STRUCTURE  
DAMPING DEVICE

SCALE: \_\_\_\_\_ SHEET NO. 1 OF 1 SHEETS STA. \_\_\_\_\_ TO STA. \_\_\_\_\_

F.A.I. RTE.	SECTION	COUNTY	TOTAL SHEETS	SHEET NO.
VAR	D3 OVD MESSAGE SG - 2012	VAR	50	33
			CONTRACT NO. 66B28	
ILLINOIS				