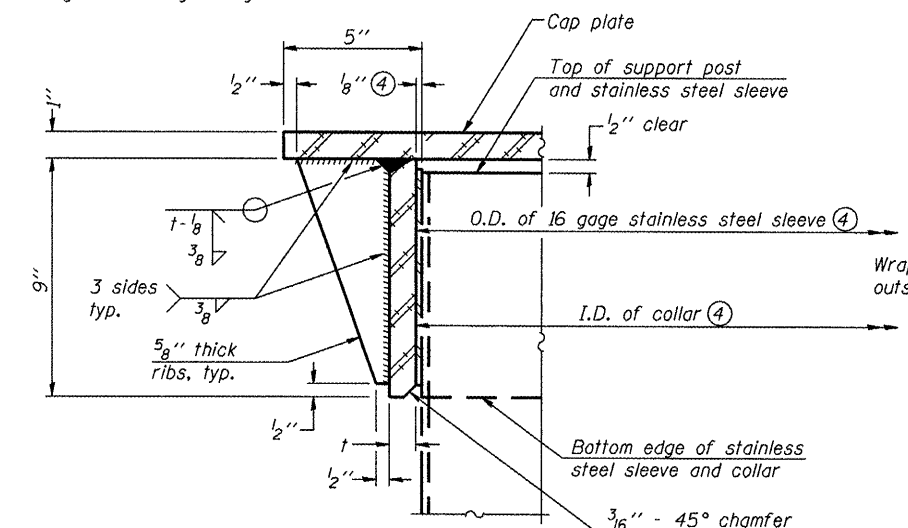
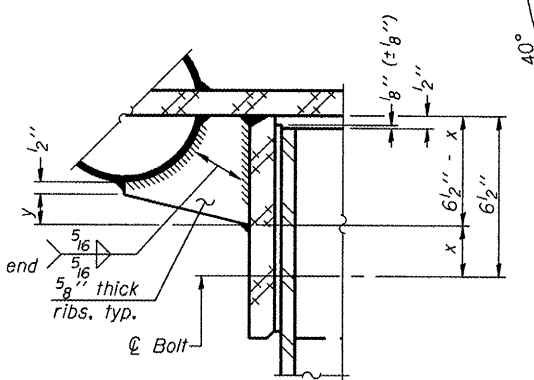


④ Collar I.D. shall be manufactured to correspond to O.D. of actual galvanized post and stainless steel sleeve plus 1/8" (+/- 1/16"). Maximum gap between post and collar at any location equals 1/8" before tightening bolts.

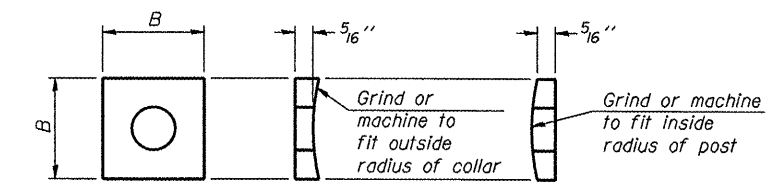
**SECTION B-B**  
Bolts, washers (including contoured washers), and locknuts shall be stainless steel.



**DETAIL A**  
(Two locations)

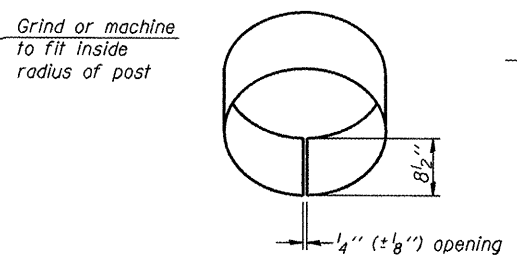


**DETAIL B**  
Two locations  
(For details not shown, see Detail C)



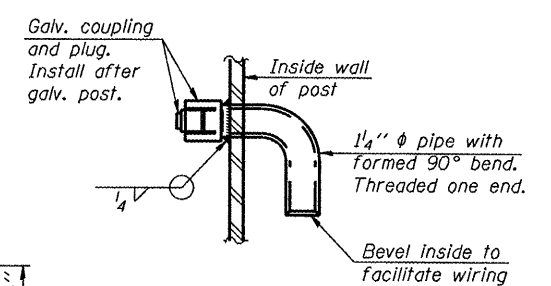
**CONTOURED WASHERS**

Bolt Size	Contoured Washers	
	Hole Dia.	B
7/8"	1"	2 1/2"
1"	1 1/8"	3"
1 1/4"	1 3/8"	3 1/4"

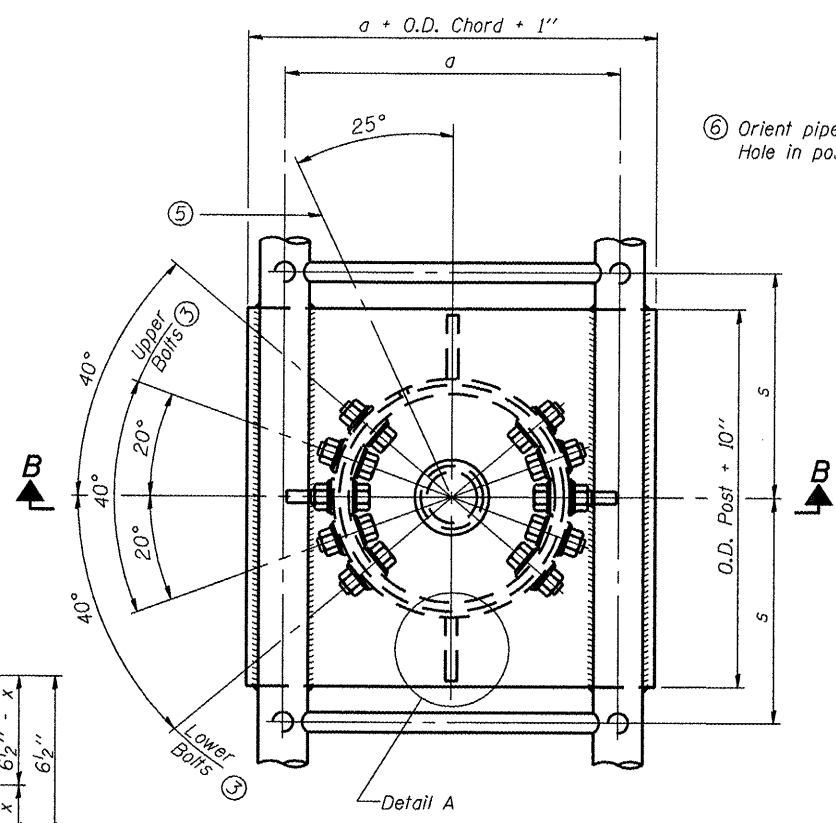


**DETAIL OF STAINLESS STEEL SLEEVE**

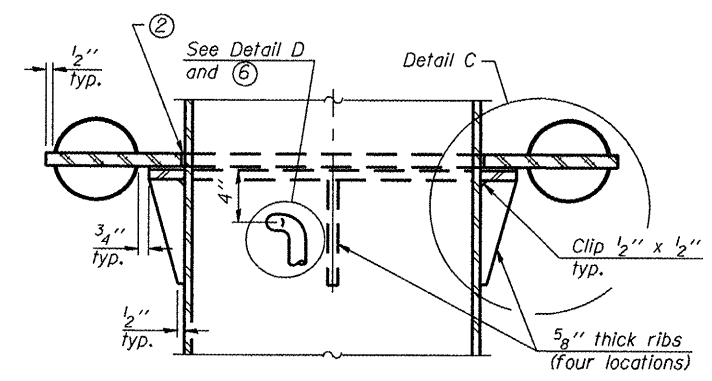
Weld to post after galvanizing. Prepare post surface to insure tight, uniform fit and allow welding. Welds to be 1/2" long at 6" cts. along top edge and at 1/4" opening.



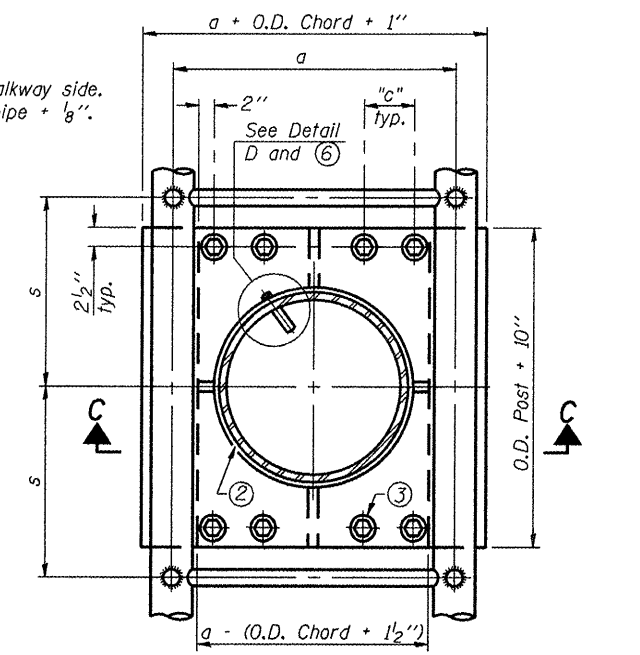
**DETAIL D**



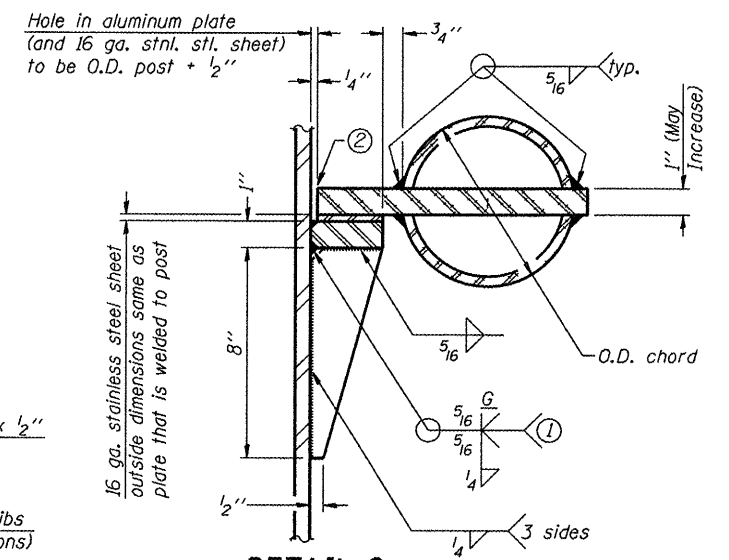
**PLAN VIEW - TOP OF COLUMN**  
⑤ Optional full penetration weld in collar. (Two locations maximum....(180° apart)....X-ray or UT 100%)



**SECTION C-C**



**SECTION THRU POST ABOVE LOWER CHORDS**



**DETAIL C**

- ① Grind top if required to fully seat aluminum plate and stainless steel sheet.
- ② After tightening lower connection bolts, fill gap with non-hardening, silicone caulk suitable for exterior exposure and acceptable to the Engineer. Cost is included in Overhead Sign Structure Butterfly.

③ Upper and lower connection bolts in collar and bolts at lower chord connection must be high strength with matching locknuts. Connection bolts shall have two stainless steel flat washers each.

Truss Type	Post Size	Upper & Lower Connection Bolt Diameter ③	Lower Juncture Bolt Spacing Dimension "c" ③	Opening in Cap Plate "HH"	Collar Thickness (t)	Side Ribs	
						x	y
I-F-A	16" phi (83#/')	7/8"	3 1/4"	8"	5/8"	1 3/4"	2 1/4"
II-F-A	24" phi (125#/')	1"	3 1/2"	12"	7/8"	2"	1 1/4"
III-F-A	24" phi (125#/')	1 1/4"	3 1/2"	12"	7/8"	2"	1"

OSF-A-3

1-20-11

FILE NAME =	USER NAME = petelyj	DESIGNED - YOGESH PATEL	REVISED -
cr:\pwork\pedit\petelyj\d8250292\036628-shd-details.DGN		DRAWN - YOGESH PATEL	REVISED -
PLOT SCALE = 99.9999' / in.		CHECKED - RON WOODSHANK	REVISED -
PLOT DATE = 2/23/2012		DATE -	REVISED -

STATE OF ILLINOIS  
DEPARTMENT OF TRANSPORTATION

BUTTERFLY SIGN STRUCTURES - JUNCTURE DETAILS  
ALUMINUM TRUSS & STEEL POST

F.A.I. RTE.	SECTION	COUNTY	TOTAL SHEETS	SHEET NO.
VAR	D3 OVD MESSAGE SG - 2012	VAR	50	34
			CONTRACT NO. 66B28	
ILLINOIS				

SCALE: SHEET NO. 1 OF 1 SHEETS STA. TO STA.