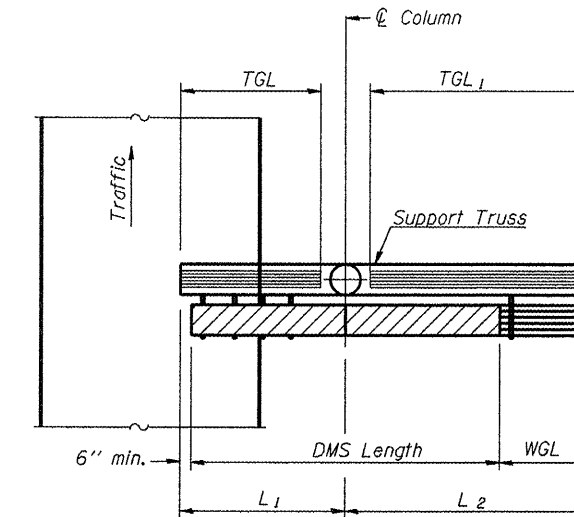


TYPICAL FRONT ELEVATION

With handrail omitted for clarity.
For section B-B see base sheet OSF-A-7-DMS

Bracket and grating dimensions are nominal and will vary based on actual DMS cabinet dimensions plus manufacturer's mounting devices.



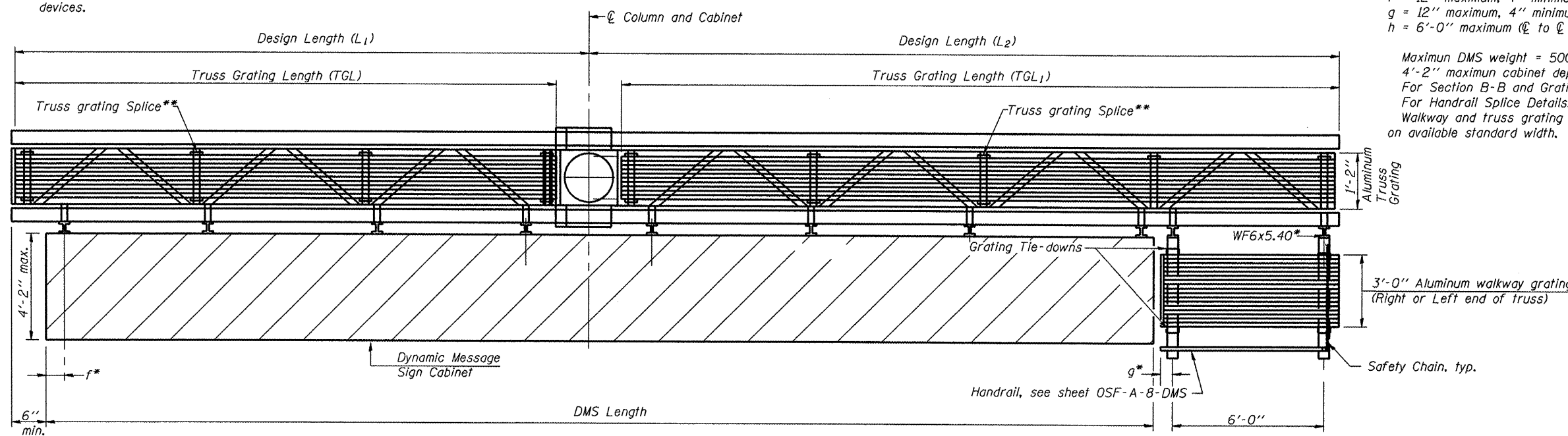
PLAN WALKWAY AND HANDRAIL SKETCH

(Road plan beneath truss varies)
Butterfly may be located in shoulder area.
Walkway may be located at right or left end of truss.

Notes:
Space walkway brackets and sign brackets WF6x5.40 for efficiency and within limits shown:

- f = 12" maximum, 4" minimum (End of sign to center of nearest bracket)
- g = 12" maximum, 4" minimum (End of walkway grating to center of nearest support bracket)
- h = 6'-0" maximum (center to center sign and/or walkway support brackets, WF6x5.40)

Maximum DMS weight = 5000 lbs.
4'-2" maximum cabinet depth includes depth of cabinet plus connection to WF6x5.40
For Section B-B and Grating Splice Details, see Base Sheet OSF-A-7-DMS.
For Handrail Splice Details, see Base Sheet OSF-A-8-DMS.
Walkway and truss grating width dimensions are nominal and may vary ±1/2" based on available standard width.



SECTION A-A

Handrail and walkway shall span a minimum of three brackets between splices and/or gap joints.
Place all sign and walkway brackets as close to panel points as practical.
** Grating splices and handrail joints placed as needed.
Truss grating to facilitate inspection shall run full length (center to center of support frames) ±12" on overhead trusses. Cost of truss grating is included in Butterfly Sign Structure.

$$TGL = L_1 \text{ (or } L_2) - (\frac{\text{Post O.D.}}{2} + 6'')$$

BRACKET TABLE

WF(A-N)4x3.06 ASTM B308, Alloy 6061-T6		
Sign Width		Number Brackets Required
Greater Than	Less Than or Equal To	
	8'-0"	2
8'-0"	14'-0"	3
14'-0"	20'-0"	4
20'-0"	26'-0"	5
26'-0"	32'-0"	6

Structure Number	Station	DMS Length	TGL	TGL ₁	Walkway Location (Right or Left end of Truss)
3F0501039R052.6	701+50	30'-0"	15'-10"	19'-10"	Right
3F0501039L057.6	965+00	30'-0"	15'-10"	19'-10"	Right
3F0501080L083.6	130+00	30'-0"	15'-10"	19'-10"	Right

OSF-A-6-DMS 1-20-11