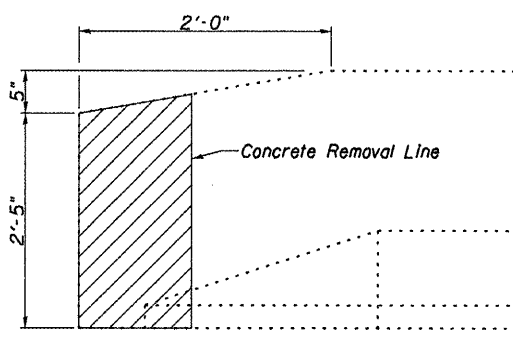
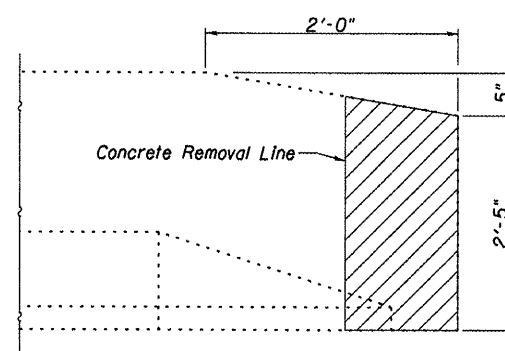


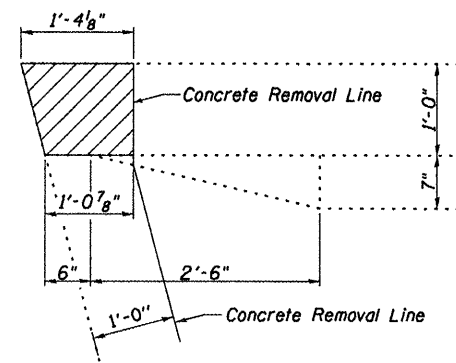
**SUPERSTRUCTURE AT WEST ABUTMENT**



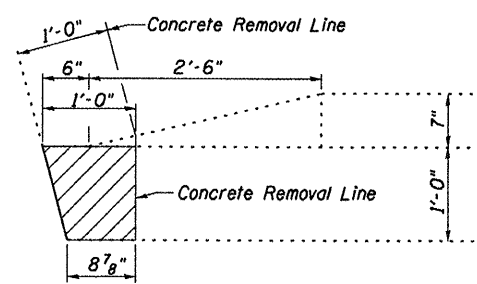
**N.W. ELEVATION**



**S.W. ELEVATION**



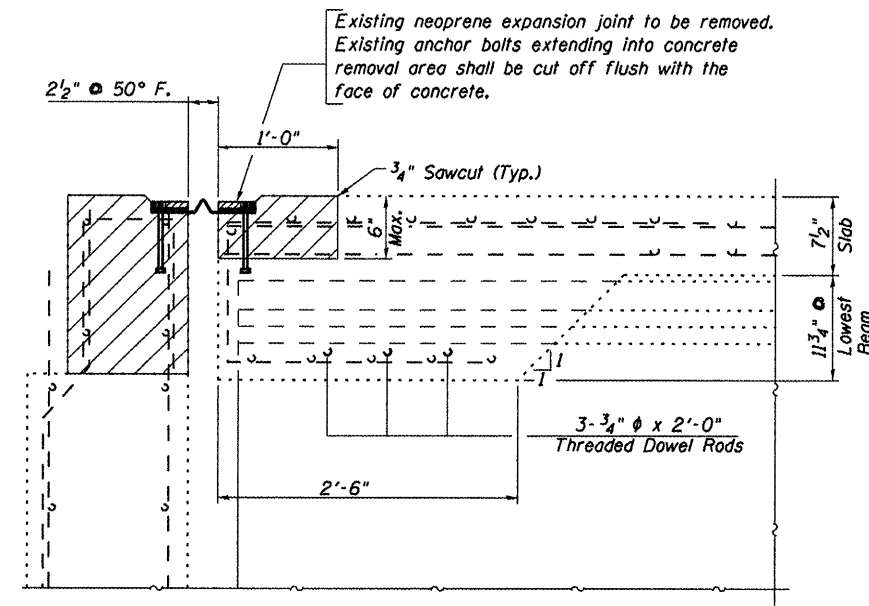
**PLAN**



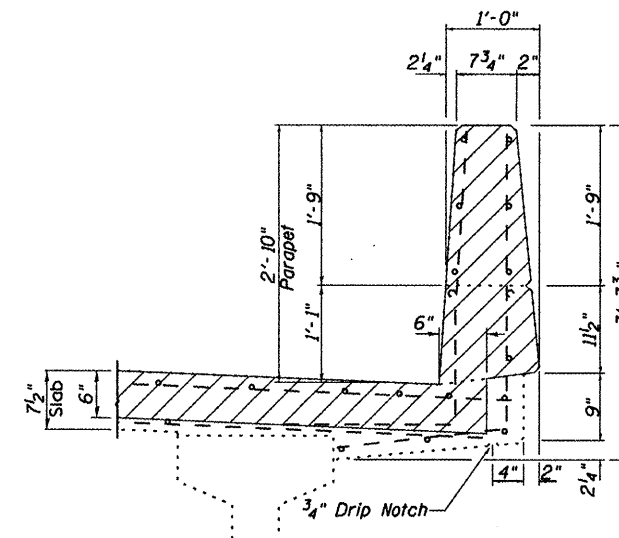
**PLAN**

**PARAPET DETAILS**

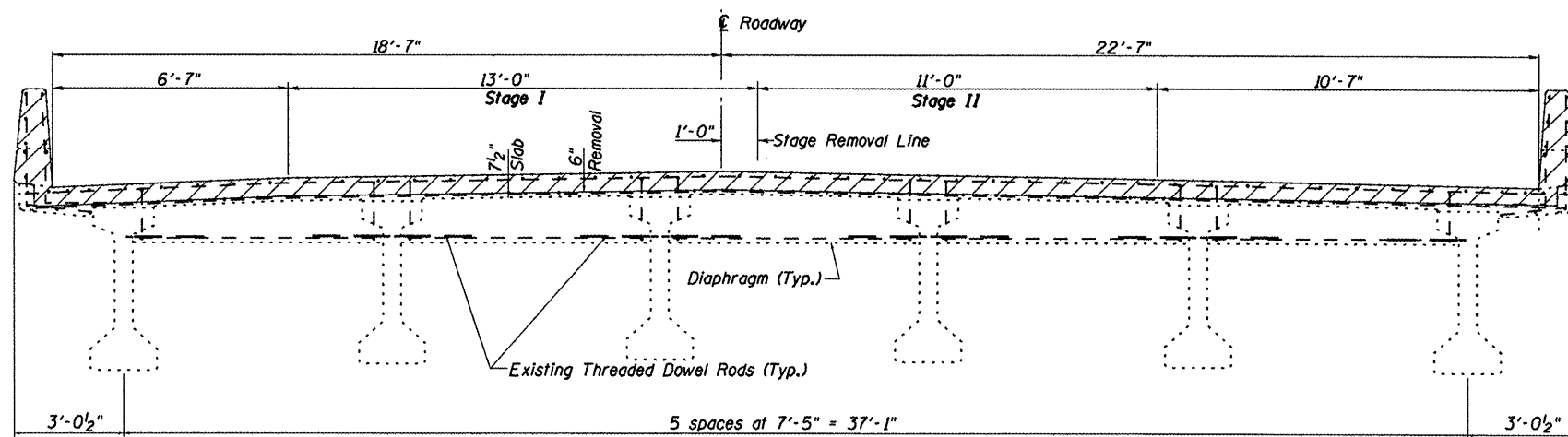
CONCRETE REMOVAL LIMITS



**SECTION A-A**  
Measurements at Right L's



**SECTION THRU PARAPET**



**CROSS SECTION AT WEST ABUTMENT**

LOOKING WEST

FILE NAME =	USER NAME = petelju	DESIGNED - RON WOODSHANK	REVISED -	STATE OF ILLINOIS DEPARTMENT OF TRANSPORTATION	SUPERSTRUCTURE REMOVAL DETAILS WEST ABUT. FOR STRUCTURE NO. 006-0152 (W.B.)	F.A.I. RTE. = 80	SECTION (06-4BR-111)	COUNTY	TOTAL SHEETS 40	SHEET NO. 14	
ci:\pw\work\p\midot\petelju\1026831\103668	9-ah-1-detailed.dgn	DRAWN - RON WOODSHANK	REVISED -			SCALE:	SHEET 2 OF 14 SHEETS	CONTRACT NO. 66B49		ILLINOIS FED. AID PROJECT	
	PLOT SCALE = 1/8" = 1' / in.	CHECKED -	REVISED -								
	PLOT DATE = 2/16/2012	DATE -	REVISED -								