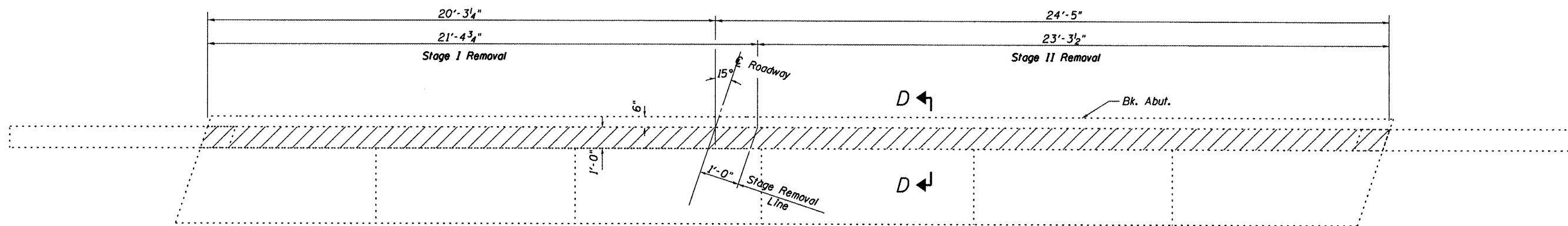
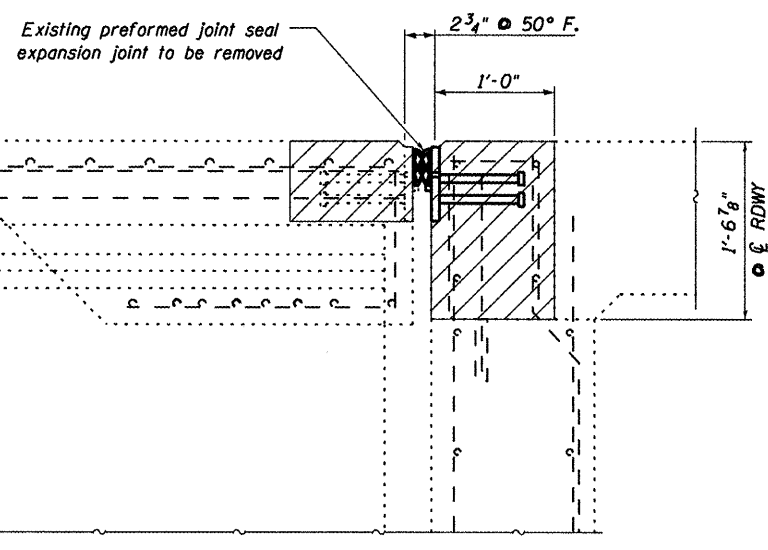


ELEVATION

CONCRETE REMOVAL LIMITS



TOP VIEW



Note: Transverse reinforcement not shown for clarity

SECTION D-D
Measurements at Right L's

FILE NAME =	USER NAME = patelj	DESIGNED - RON WOODSHANK	REVISED -
c:\pwwork\p\ridot\patelj\ad26831\1\0368	9-ahv-detail.dgn	DRAWN - RON WOODSHANK	REVISED -
	PLOT SCALE = 100:8 ft / in.	CHECKED -	REVISED -
	PLOT DATE = 2/16/2012	DATE -	REVISED -

STATE OF ILLINOIS
DEPARTMENT OF TRANSPORTATION

ABUTMENT REMOVAL DETAILS
EAST ABUT. FOR STRUCTURE NO. 006-0151 (E.B.)

F.A.I. RTE.	SECTION	COUNTY	TOTAL SHEETS	SHEET NO.
80	(06-4BR-1)I	BUREAU	40	31
CONTRACT NO. 66B49			ILLINOIS FED. AID PROJECT	

SCALE: SHEET 5 OF 14 SHEETS STA. 1020+87.79 TO STA. 1023+79.79