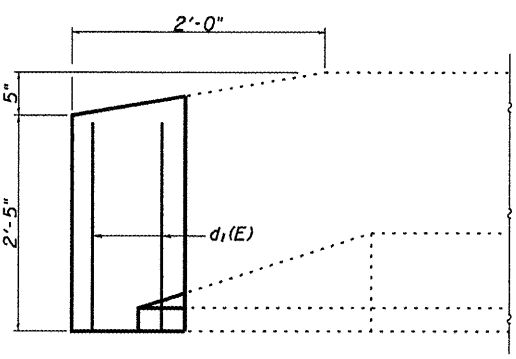
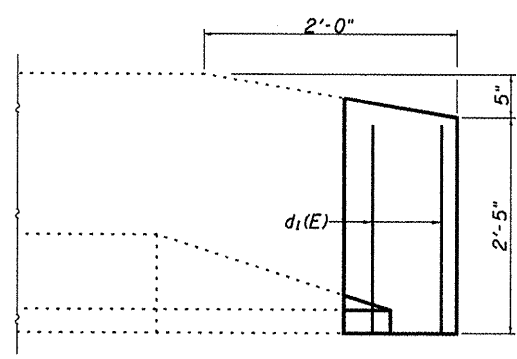


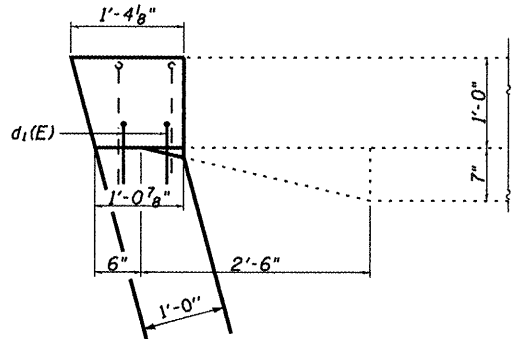
SUPERSTRUCTURE AT WEST ABUTMENT



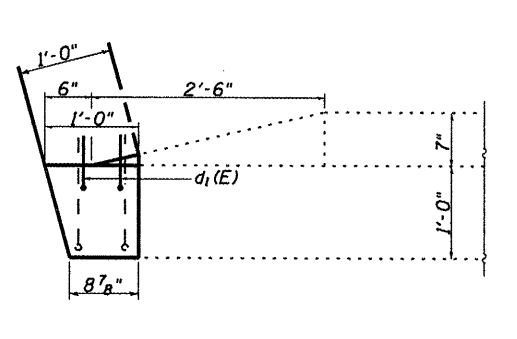
N.W. ELEVATION



S.W. ELEVATION

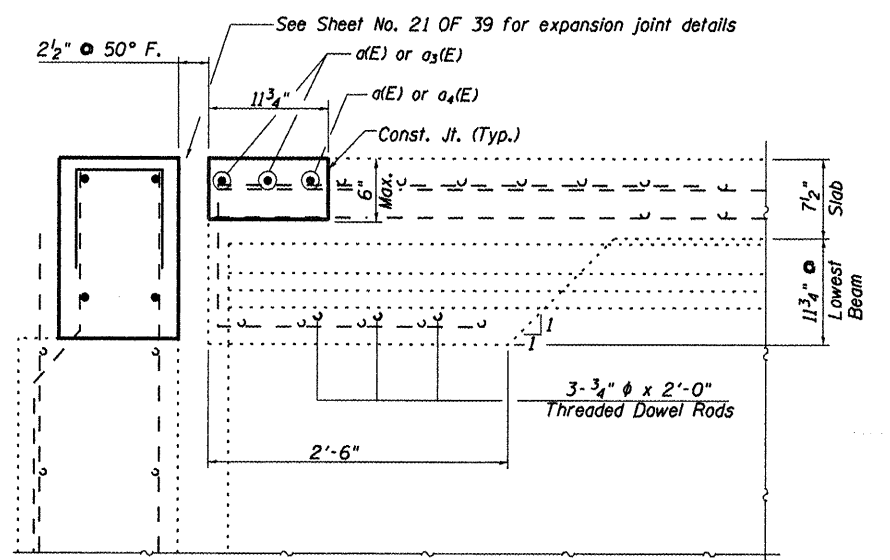


PLAN

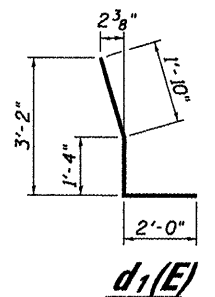


PLAN

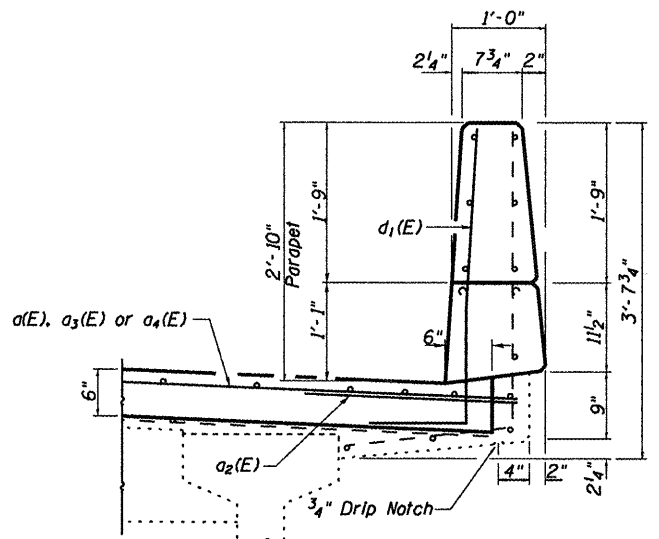
PARAPET DETAILS



SECTION E-E
Measurements at Right L's



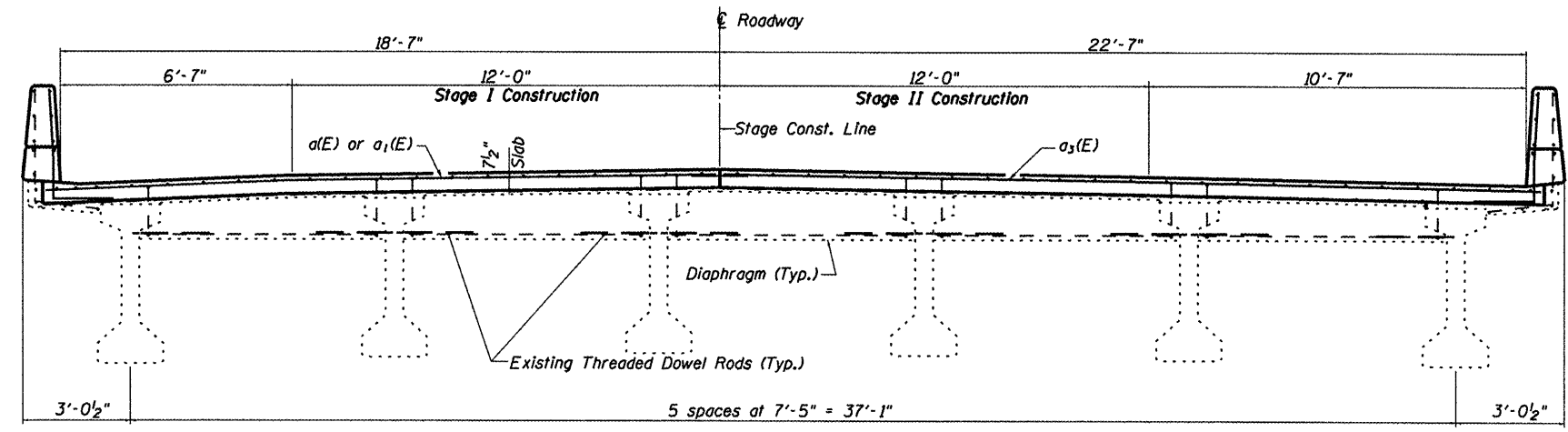
d1(E)



SECTION THRU PARAPET

BILL OF MATERIAL

Bar	No.	Size	Length	Shape
a(E)	3	#7	19'-4"	—
a2(E)	2	#6	4'-0"	—
a3(E)	2	#7	23'-6"	—
a4(E)	1	#7	23'-0"	—
d1(E)	4	#5	5'-2"	L
Concrete Removal			Cu. Yd.	1.0
Concrete Superstructure			Cu. Yd.	1.0
Reinforcement Bars			Lbs.	300
			Epoxy Coated	



CROSS SECTION AT WEST ABUTMENT

LOOKING EAST