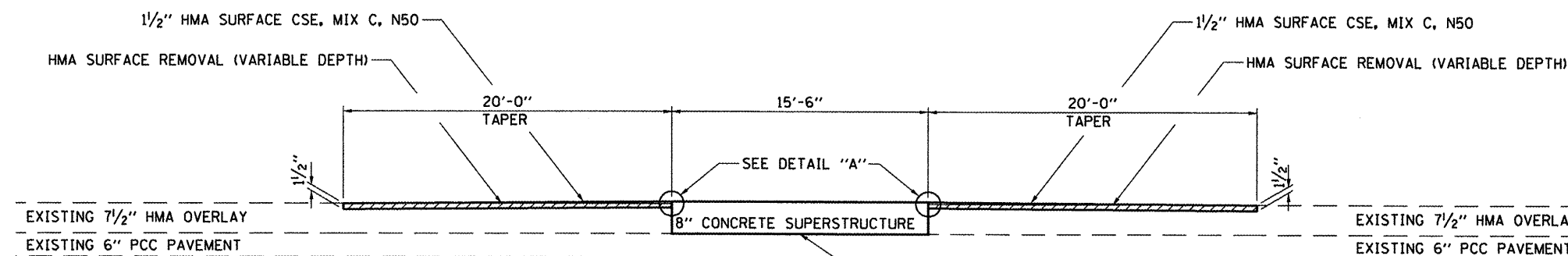
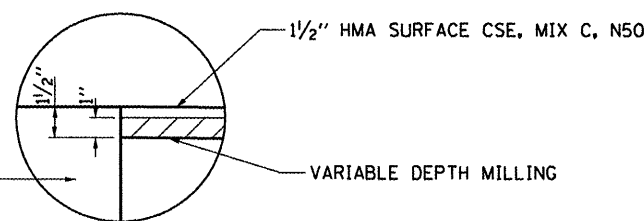


PLAN



SECTION A-A



DETAIL "A"

FILE NAME = c:\pw_work\pwidot\petely\0278071\0366878-sht-details.dgn	USER NAME = petelyj	DESIGNED - RON WOODSHANK	REVISED -	STATE OF ILLINOIS DEPARTMENT OF TRANSPORTATION	ROADWAY DETAILS			F.A.P. RTE. 798	SECTION (107)	COUNTY FORD	TOTAL SHEETS 10	SHEET NO. 8
	PLOT SCALE = 100.0000' / 1in.	DRAWN - RON WOODSHANK	REVISED -					CONTRACT NO. 66B70				
PLOT DATE = 2/16/2012	CHECKED -	REVISED -	REVISED -		SCALE:	SHEET NO. 1 OF 1 SHEETS	STA.	TO STA.	ILLINOIS FED. AID PROJECT			
	DATE -	REVISED -	REVISED -									