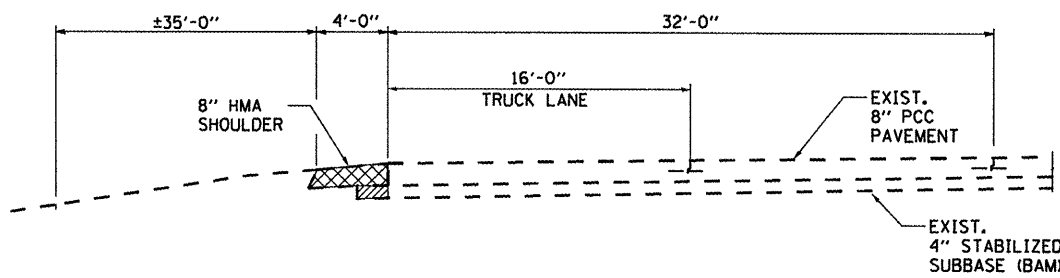


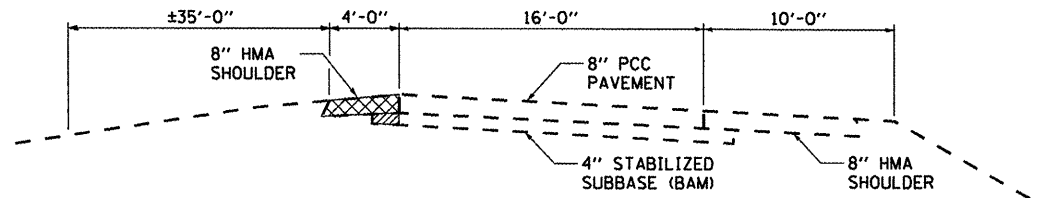
PAVED SHOULDER REMOVAL
 EARTH EXCAVATION

EXISTING SECTION D-D



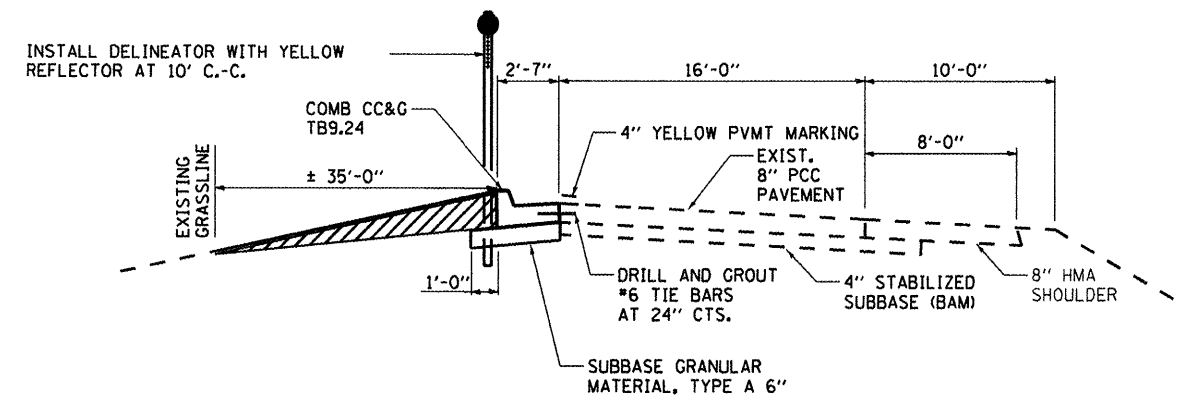
PAVED SHOULDER REMOVAL
 EARTH EXCAVATION

EXISTING SECTION E-E



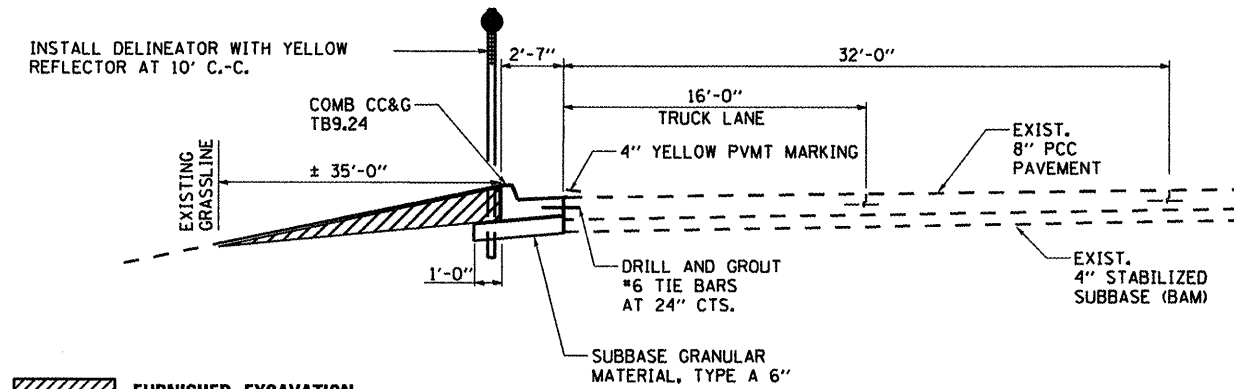
PAVED SHOULDER REMOVAL
 EARTH EXCAVATION

EXISTING SECTION F-F



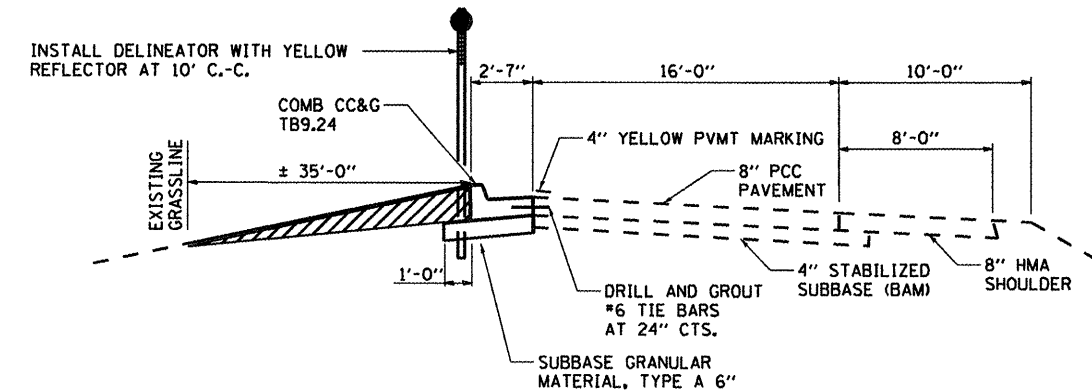
FURNISHED EXCAVATION

PROPOSED SECTION D-D



FURNISHED EXCAVATION

PROPOSED SECTION E-E



FURNISHED EXCAVATION

PROPOSED SECTION F-F

FILE NAME =	USER NAME = potelyj	DESIGNED - YOGESH PATEL	REVISED -
ct:\pw_work\p\idat\potelyj\0279013\0366671-ht-detail.s.dgn		DRAWN - YOGESH PATEL	REVISED -
	PLOT SCALE = 100.0000' / 1in.	CHECKED - RON WOODSHANK	REVISED -
	PLOT DATE = 2/16/2012	DATE -	REVISED -

STATE OF ILLINOIS
DEPARTMENT OF TRANSPORTATION

SECTION DETAILS
NORTHBOUND - MAIN LINE RESTAREA

F.A.I. RTE.	SECTION	COUNTY	TOTAL SHEETS	SHEET NO.
57	(38-8)RA-8	IROQUOIS	12	12
CONTRACT NO. 66B71				
ILLINOIS FED. AID PROJECT				

SCALE: _____ SHEET NO. 1 OF 1 SHEETS STA. _____ TO STA. _____