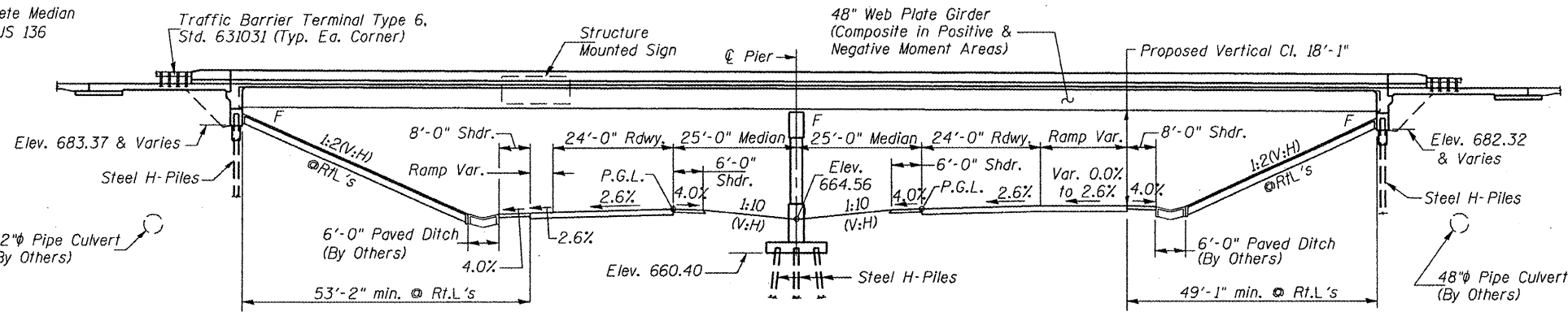


B.M. #1: IDOT Disk in Concrete Median
Sta. 511+09.32, @ US 136
Elev. = 693.84

Existing Structure: None
Traffic to be maintained
by a temporary runaround.



ELEVATION

PROP CURVE RAMP L-1

PI Sta. = 53+33.41
Δ = 5° 01' 38" (RT)
D = 0° 45' 16"
R = 7,595.00'
T = 333.41'
L = 666.39'
E = 7.31'
e = 2.6%
P.C. Sta. = 50+00.00
P.T. Sta. = 56+66.39

PROP CURVE US 136

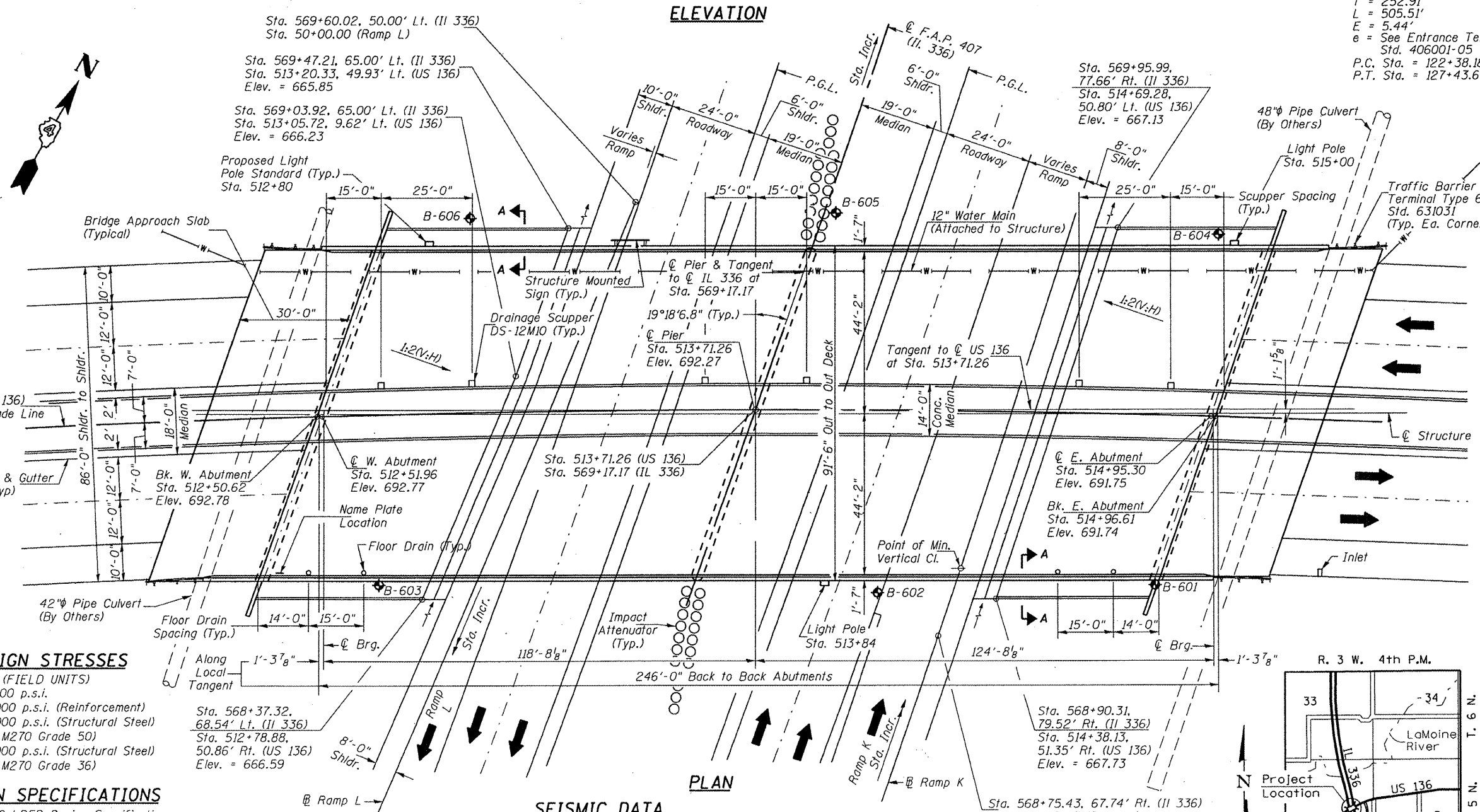
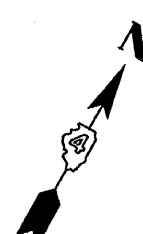
PI Sta. = 520+31.78
Δ = 25° 21' 37" (RT)
D = 1° 23' 50"
R = 4,101.04'
T = 922.72'
L = 1,815.21'
E = 102.52'
e = 2.2%
P.C. Sta. = 511+09.06
P.T. Sta. = 529+24.27

PROP CURVE RAMP K-4

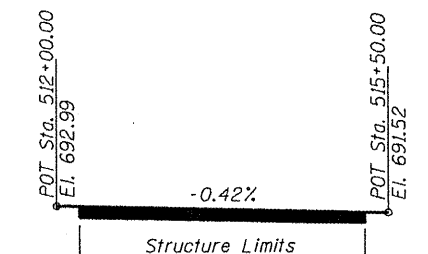
PI Sta. = 124+91.09
Δ = 4° 55' 53" (LT)
D = 0° 58' 32"
R = 5,873.29'
T = 252.91'
L = 505.51'
E = 5.44'
e = See Entrance Terminal
Std. 406001-05
P.C. Sta. = 122+38.18
P.T. Sta. = 127+43.69

PROP CURVE IL 336

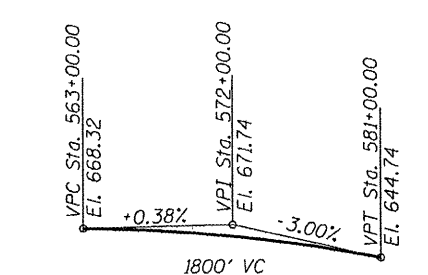
PI Sta. = 561+78.59
Δ = 18° 14' 29" (LT)
D = 0° 44' 58"
R = 7,645.00'
T = 1,227.36'
L = 2,433.95'
E = 97.90'
e = 2.6%
P.C. Sta. = 549+51.23
P.T. Sta. = 573+85.18



PLAN

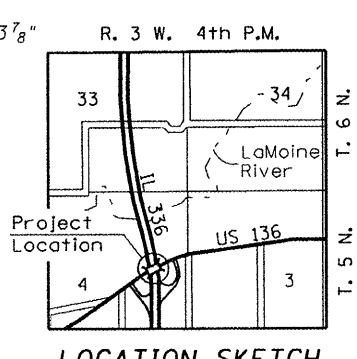


PROFILE GRADE US 136



PROFILE GRADE IL 336

Benjamin A. McDaniel
Professional Engineer
No. 011-000000
Illinois
Lic Exp. 4/30/2012



LOCATION SKETCH

GENERAL PLAN & ELEVATION
US 136 OVER IL 336
FAP 315 - SECTION 55-3HB
MCDONOUGH COUNTY
STATION 513+71.26
STR. NO. 055-0063

DESIGN STRESSES
(FIELD UNITS)
f'c = 3,500 p.s.i.
fy = 60,000 p.s.i. (Reinforcement)
fy = 50,000 p.s.i. (Structural Steel)
(AASHTO M270 Grade 50)
fy = 36,000 p.s.i. (Structural Steel)
(AASHTO M270 Grade 36)

DESIGN SPECIFICATIONS
2010 AASHTO LRFD Design Specifications
5th Edition with 2010 Interims.

LOADING HL-93
Allow 50#/sq. ft. future wearing surface.

SEISMIC DATA
Seismic Performance Zone (SPZ) = 1
Design Spectral Acceleration at 1.0 sec. (S₀₁) = 0.08g
Design Spectral Acceleration at 0.2 sec. (S₀₅) = 0.13g
Soil Site Class = C

Hutchison Engineering, Inc.
Jacksonville & Shorewood, Illinois

USER NAME = bnebel
PLOT SCALE = NONE
PLOT DATE = 10/21/2011

DESIGNED - BAN
CHECKED - JOH
DRAWN - TAC
CHECKED - BAN

REVISED -
REVISED -
REVISED -
REVISED -

STATE OF ILLINOIS
DEPARTMENT OF TRANSPORTATION

GENERAL PLAN & ELEVATION
STRUCTURE NO. 055-0063
SHEET NO. 1 OF 35 SHEETS

F.A.P. RTE.	SECTION	COUNTY	TOTAL SHEETS	SHEET NO.
315	55-3HB	McDonough	103	32
CONTRACT NO. 68A40			ILLINOIS FED. AID PROJECT	

V:\Bridges\281-McDonough\US136\0550063-68418-001-GENERAL PLAN.dgn