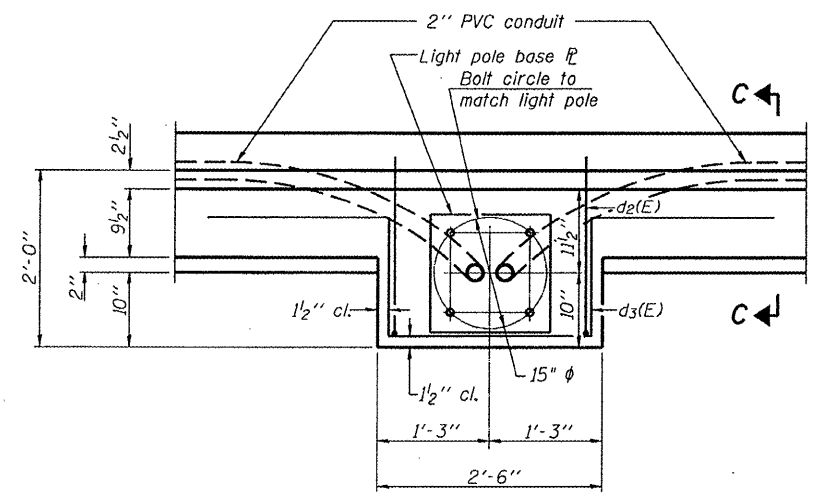
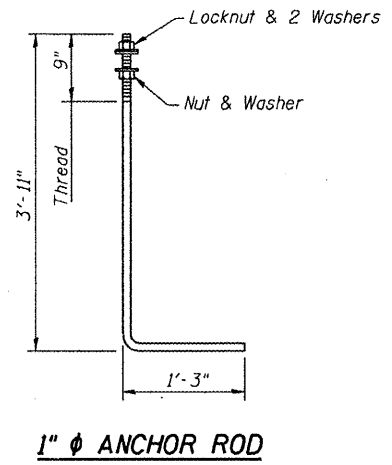


SECTION C-C

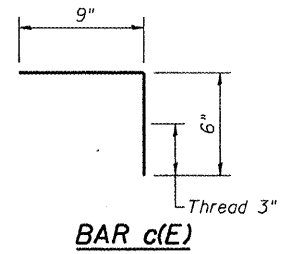


PLAN

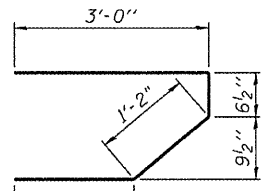
Note:
Cost of anchor rods is included with Concrete Superstructure.



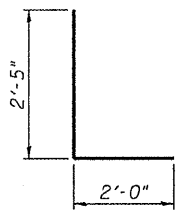
1" ϕ ANCHOR ROD



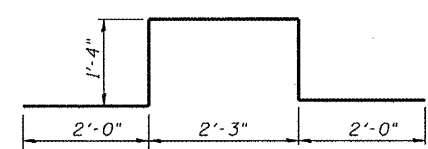
BAR c(E)



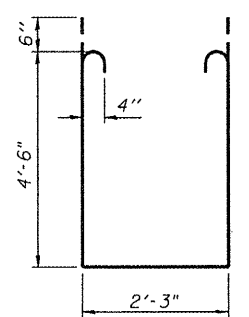
BAR s(E)



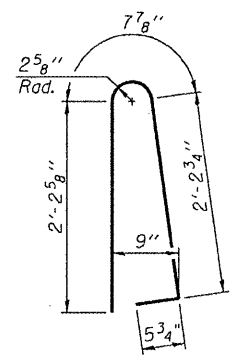
BAR d2(E)



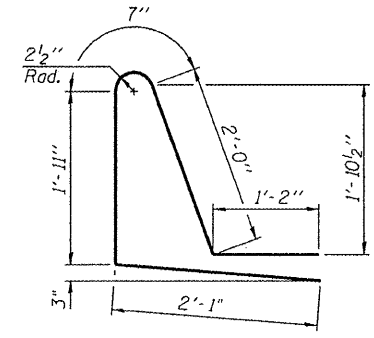
BAR d3(E)



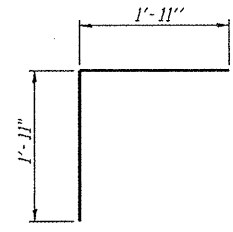
BAR s1(E)



BAR d(E)



BAR d1(E)



BAR v(E)

**SUPERSTRUCTURE
BILL OF MATERIAL**

Bar	No.	Size	Length	Shape
a(E)	1,072	#5	47'-1"	—
a1(E)	984	#5	32'-2"	—
a2(E)	1,070	#6	6'-6"	—
a3(E)	6	#6	34'-10"	—
a4(E)	60	#5	4'-0"	—
b(E)	981	#5	30'-3"	—
b1(E)	273	#6	31'-4"	—
b2(E)	830	#5	27'-6"	—
c(E)	492	#5	1'-3"	└
c1(E)	250	#5	13'-7"	—
d(E)	538	#5	5'-7"	└
d1(E)	538	#5	7'-9"	└
d2(E)	9	#6	4'-5"	└
d3(E)	15	#6	8'-11"	└
e(E)	102	#4	19'-9"	—
e1(E)	84	#4	17'-5"	—
e2(E)	8	#8	28'-10"	—
e3(E)	8	#4	26'-6"	—
e4(E)	4	#8	19'-9"	—
e5(E)	8	#8	30'-4"	—
e6(E)	8	#4	28'-0"	—
m(E)	30	#6	34'-6"	—
m1(E)	40	#6	11'-7"	—
m2(E)	22	#6	7'-11"	—
m3(E)	4	#6	3'-0"	—
m4(E)	8	#6	8'-11"	—
s(E)	192	#5	6'-11"	└
s1(E)	166	#4	12'-3"	└
v(E)	184	#5	3'-10"	└
Reinforcement Bars, Epoxy Coated			POUND	186,400
Concrete Superstructure			CU YD	777.6

Hutchison Engineering, Inc.
Jacksonville & Shorewood, Illinois

USER NAME = bnebel
PLOT SCALE = NONE
PLOT DATE = 10/21/2011

DESIGNED - CTM
CHECKED - BAN
DRAWN - TAC
CHECKED - CTM/BAN

REVISED -
REVISED -
REVISED -
REVISED -

**STATE OF ILLINOIS
DEPARTMENT OF TRANSPORTATION**

**SUPERSTRUCTURE DETAILS
STRUCTURE NO. 055-0063**

SHEET NO. 13 OF 35 SHEETS

F.A.P. RTE.	SECTION	COUNTY	TOTAL SHEETS	SHEET NO.
315	55-3HB	McDonough	103	44
			CONTRACT NO. 68A40	
ILLINOIS FED. AID PROJECT				

V:\Bridge\2891-McDonough\US136\0550063-68418-013-SUPERSTR DETAIL S.dgn