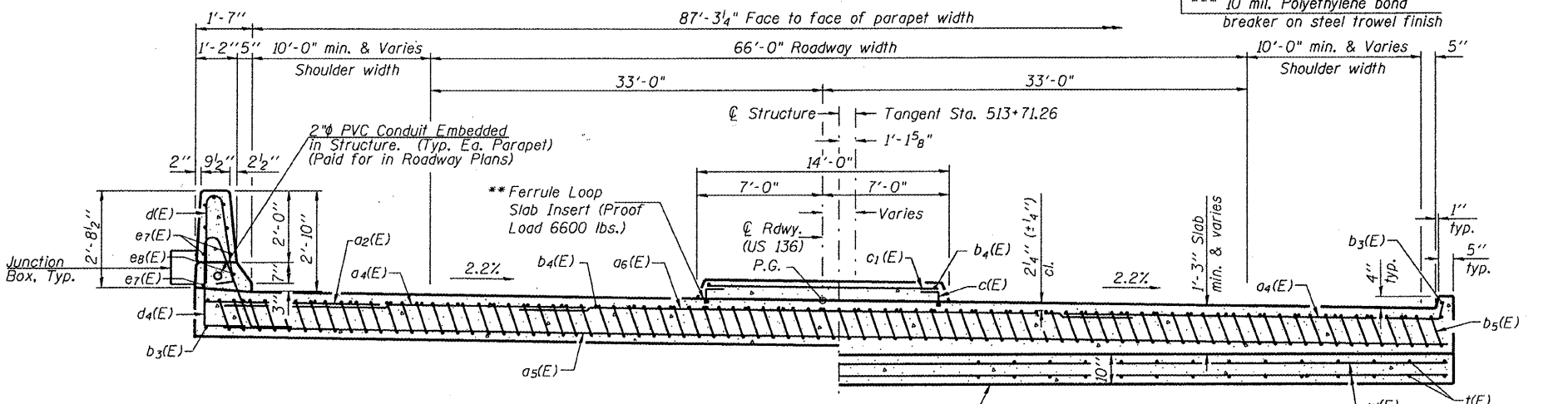
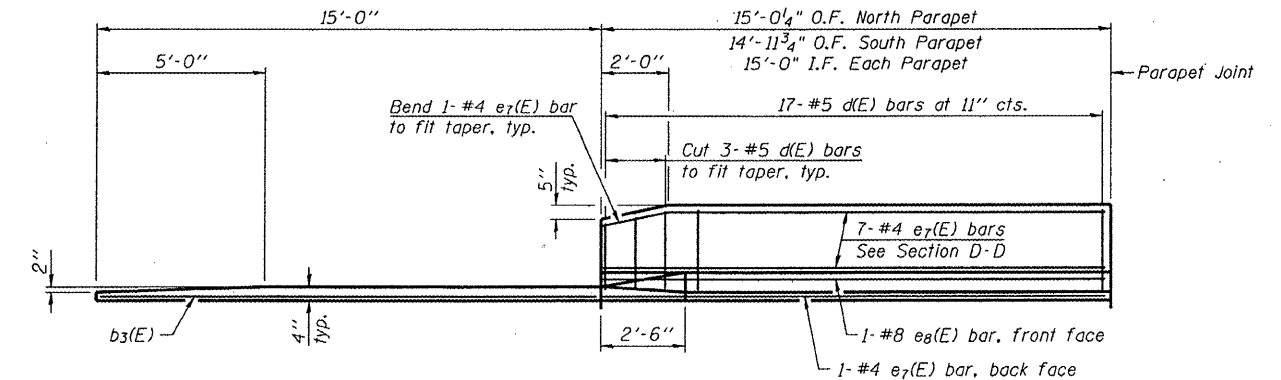


SECTION C-C



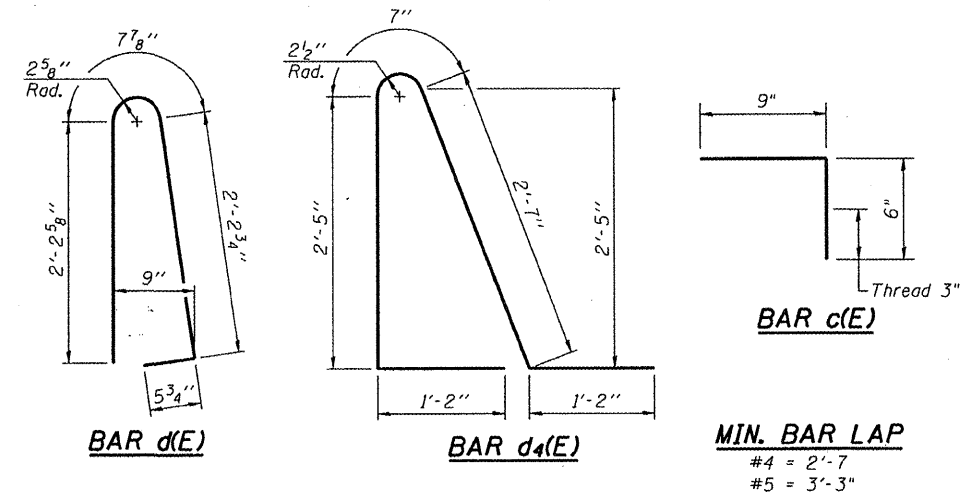
SECTION D-D
(See Plan for dimensions not shown)



BAR a4(E)

BAR b5(E)

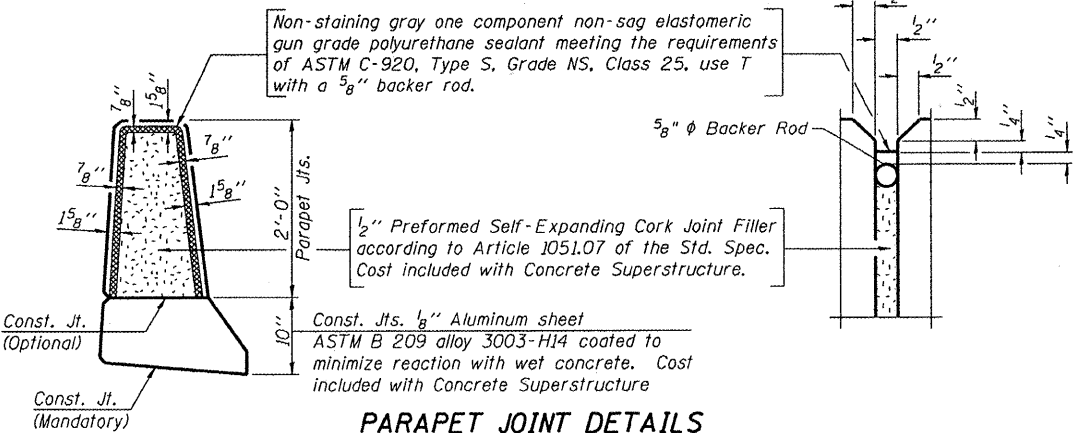
Notes:
 See sheet 15 of 35 for Detail A & View B-B.
 Approach slab and parapet concrete shall be paid for as Concrete Superstructure.
 Approach footing concrete shall be paid for as Concrete Structures.
 Reinforcement shall be paid for as Reinforcement Bars, Epoxy Coated.
 See sheet 13 and 14 of 35 for v(E) bar details.
 The approach footing maximum applied service bearing pressure (Omax) = 2.0 ksf.
 See sheet 29 of 35 for bar splicer details.
 Cost of excavation for approach footing included with Concrete Structures.
 See sheet 2 of 35 for Porous Granular Embankment (Special) and drainage treatment details.
 See sheet 11 of 35 for additional parapet details.



* Tilt #9 b5(E) bars as required to maintain clearance.
 ** The cost of inserts is included in the cost of Reinforcement Bars, Epoxy Coated.
 *** Cost included with Concrete Superstructure.

**WEST APPROACH
BILL OF MATERIAL**

Bar	No.	Size	Length	Shape	
a2(E)	24	#6	6'-6"	—	
a4(E)	50	#4	33'-10"	—	
a5(E)	138	#5	34'-0"	—	
a6(E)	25	#4	33'-5"	—	
b3(E)	4	#4	14'-8"	—	
b4(E)	86	#4	29'-8"	—	
b5(E)	214	#9	29'-9"	—	
c(E)	62	#5	1'-3"	┘	
c1(E)	35	#5	13'-7"	—	
d(E)	34	#5	5'-7"	┘	
d4(E)	34	#5	7'-11"	┘	
e7(E)	16	#4	14'-8"	—	
e8(E)	2	#8	14'-8"	—	
t(E)	180	#4	10'-5"	—	
w(E)	120	#5	34'-0"	—	
Concrete Superstructure				CU YD	136.6
Concrete Structures				CU YD	29.5
Reinforcement Bars, Epoxy Coated				POUND	37,010



PARAPET JOINT DETAILS

V:\B-ridge\2891-McDonough\US136\0550063-68416-016-W APPR SLAB DETAILS.dgn