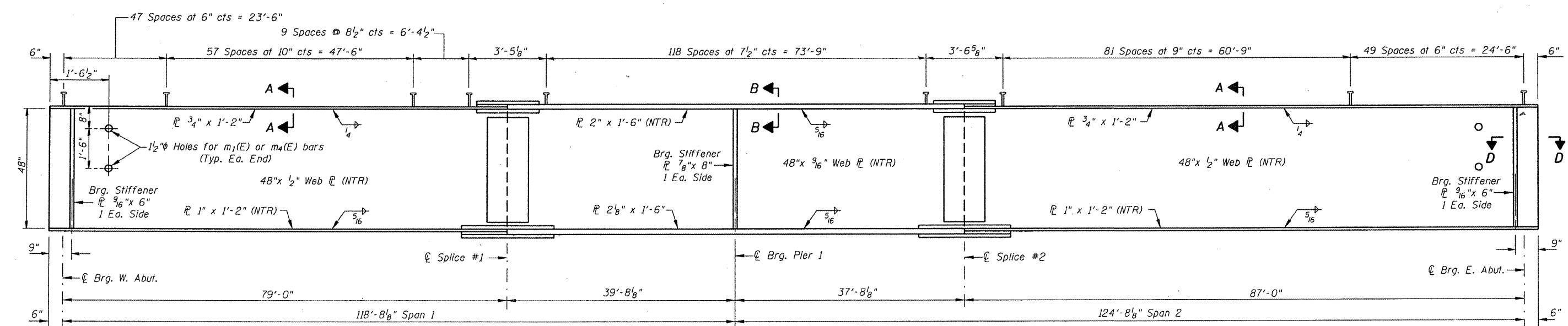


Notes:
 Load carrying components designated "NTR" shall conform to the Supplemental Requirements for Notch Toughness, Zone 2.
 See Sheets 21 & 21A of 35 for Structural Steel Details.



All plates and bearing stiffeners shall be AASHTO M270, Grade 50.

Hutchison Engineering, Inc.
 Jacksonville & Shorewood, Illinois

USER NAME = bnebel
 PLOT SCALE = NONE
 PLOT DATE = 10/21/2011

DESIGNED - BAN
 CHECKED - JOH
 DRAWN - TAC
 CHECKED - BAN

REVISED -
 REVISED -
 REVISED -
 REVISED -

STATE OF ILLINOIS
 DEPARTMENT OF TRANSPORTATION

FRAMING PLAN AND DETAILS
 STRUCTURE NO. 055-0063
 SHEET NO. 20 OF 35 SHEETS

F.A.P. RTE.	SECTION	COUNTY	TOTAL SHEETS	SHEET NO.
315	55-34B	McDonough	103	51
CONTRACT NO. 68A40			ILLINOIS FED. AID PROJECT	

V:\8-ridge\2891-McDonough\US136\0550063-68418-020-FRAMING PLAN.dgn