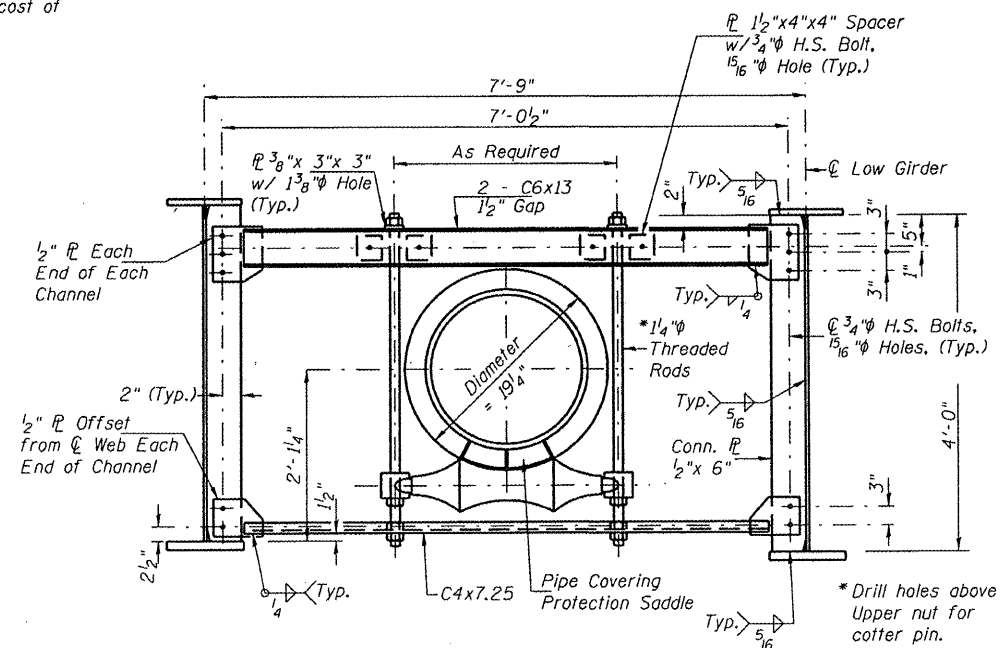


CROSS FRAME CF
(No. Required = 11)

Note:
 Cross frames CF shall be completely installed prior to water main installation.
 The water main shall not be filled prior to the deck concrete reaching its required 14 day strength.
 Cost of threaded rod, nuts for threaded rod and pipe saddle assembly included in cost of water main in Roadway Plans.



PIPE SUPPORT FRAMING DETAIL PS
(No. Required = 16)

Hutchison Engineering, Inc.
 Jacksonville & Shorewood, Illinois

USER NAME = dnb01
 PLOT SCALE = NONE
 PLOT DATE = 10/21/2011

DESIGNED - BAN
 CHECKED - JOH
 DRAWN - TAC
 CHECKED - BAN

REVISED -
 REVISED -
 REVISED -
 REVISED -

STATE OF ILLINOIS
DEPARTMENT OF TRANSPORTATION

STRUCTURAL STEEL DETAILS
STRUCTURE NO. 055-0063

SHEET NO. 21A OF 35 SHEETS

F.A.P. RTE.	SECTION	COUNTY	TOTAL SHEETS	SHEET NO.
315	55-3HB	McDonough	103	52A
CONTRACT NO. 68A40			ILLINOIS FED. AID PROJECT	