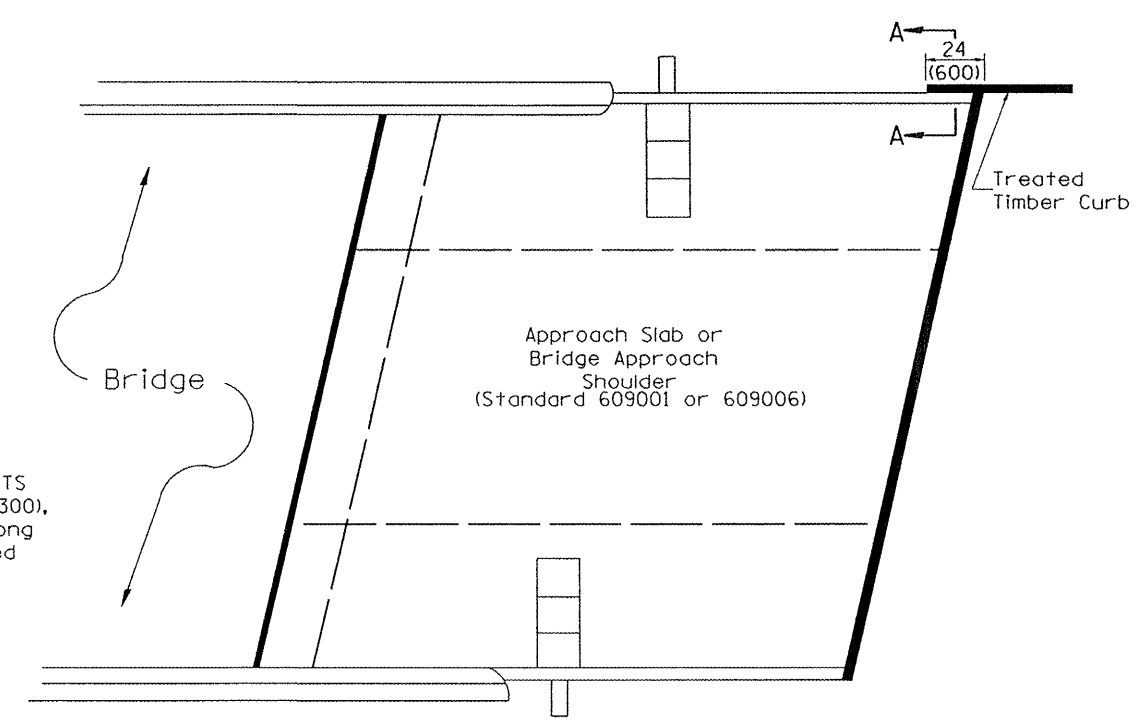


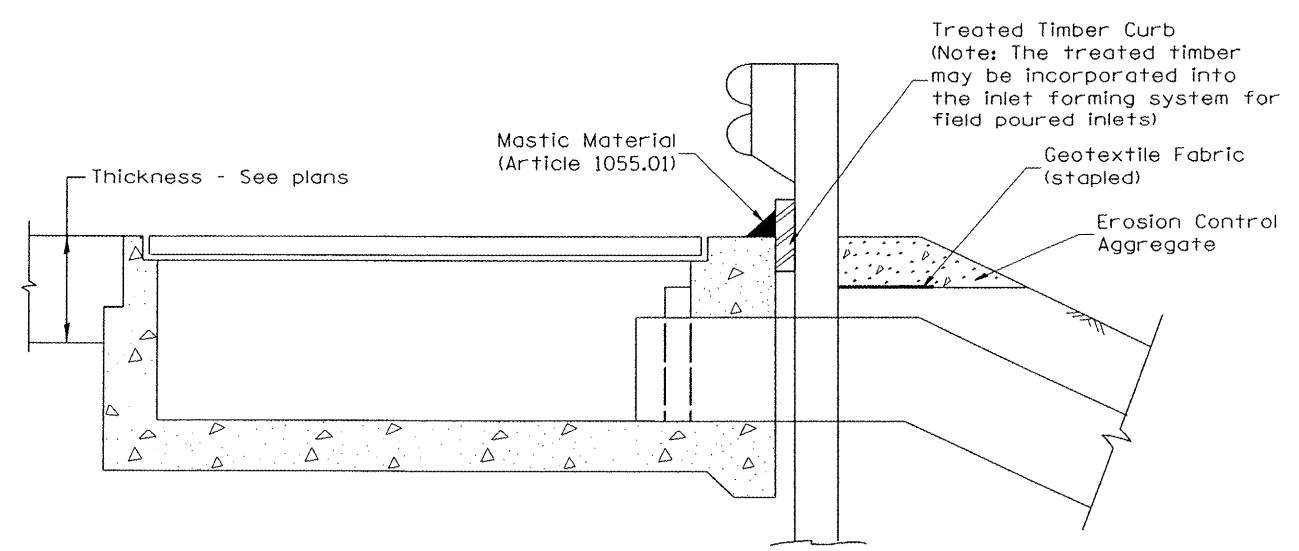
SPLICE LOCATED AT GUARDRAIL POST
1/2(M12) galvanized U-bolt with
nut & washer

SPLICE LOCATED BETWEEN GUARDRAIL POSTS
treated timber splice plate 2x12 (50x300),
actual size 1 1/2x1 1/2 (40x290), 24(600) long
with 8 evenly spaced 1/2(M12) galvanized
bolts with nuts & washers.

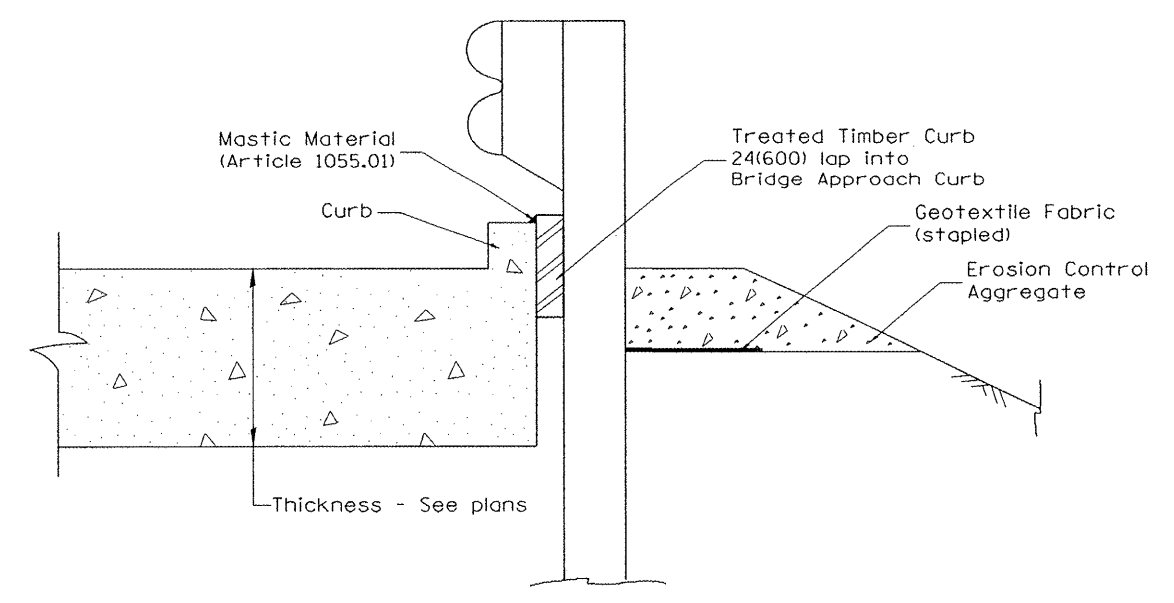
DETAIL A
(Typical Treated Timber Splices)



PLAN VIEW
APPROACH SLAB OR BRIDGE APPROACH SHOULDER
(STANDARD 609001 or 609006)



TYPICAL SECTION WITH EROSION CONTROL CURB
AT INLETS TYPE E & F (STANDARD 610001)



SECTION A-A
TYPICAL SECTION WITH EROSION CONTROL CURB
AT BRIDGE APPROACH CURB
(STANDARD 609001 OR 609006)

All dimensions are in inches (millimeters)
unless otherwise noted.

				STATE OF ILLINOIS DEPARTMENT OF TRANSPORTATION		GUARDRAIL EROSION CONTROL TREATMENTS				F.A.P. RTE. 315 SECTION 55-3HB COUNTY McDONOUGH TOTAL SHEETS 103 SHEET NO. 76 CONTRACT NO. 68A40 FED. ROAD DIST. NO. ILLINOIS FED. AID PROJECT	
						NOT TO SCALE				SHT. 2 OF 2 CADD STD. 630101-D4	