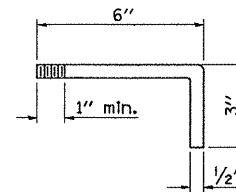
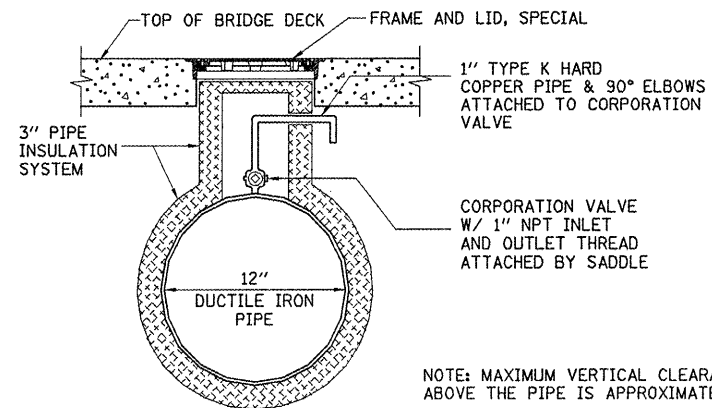


MATERIAL: CAST GRAY IRON ASTM A-48, CLASS 35B  
FINISH: NOT PAINTED  
WEIGHT: FRAME - 76#, LID - 61#

**FRAME AND LID, SPECIAL**  
(BOLTED AND GASKETED FRAME AND LID)  
@ STATION 512+75.00, 38.76' LT



**ANCHOR STUD DETAIL**  
(ASTM A307 AND GALVANIZED  
ACCORDING TO AASHTO M 232)



NOTE: MAXIMUM VERTICAL CLEARANCE  
ABOVE THE PIPE IS APPROXIMATELY 19".

**CORPORATION VALVE DETAIL**  
STA. 512+75.00, 38.76' LT

FILE NAME =	USER NAME = jdean	DESIGNED - JRB	REVISED - JRB 10-11-11
W:\Transportation\2891\US136Plans\US136\201.dgn		DRAWN - TJD	REVISED -
	PLOT SCALE = 20.0000' / 1"	CHECKED - JRB	REVISED -
	PLOT DATE = 10/21/2011	DATE - 10/11/11	REVISED -

**STATE OF ILLINOIS  
DEPARTMENT OF TRANSPORTATION**

**WATER MAIN DETAILS**

F.A.P. RTE.	SECTION	COUNTY	TOTAL SHEETS	SHEET NO.
315	55-3HB	McDONOUGH	103	83D
CONTRACT NO. 68A40				
ILLINOIS FED. AID PROJECT				
SCALE:	SHEET NO. 2 OF 2 SHEETS	STA. N/A	TO STA. N/A	