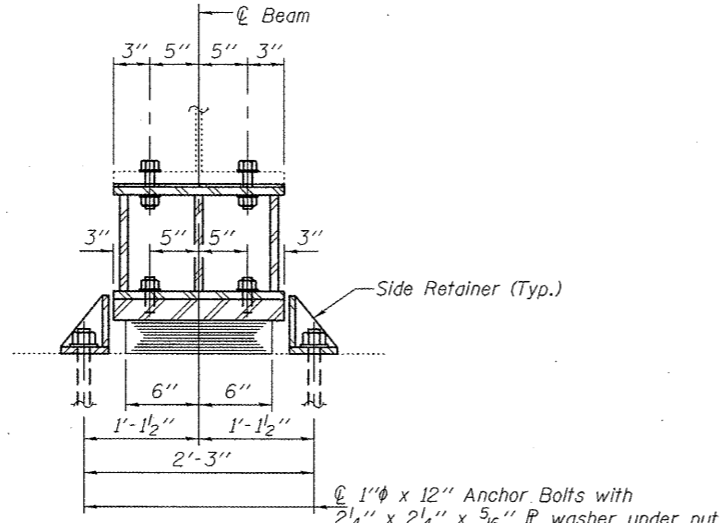


ELEVATION AT ABUTMENT

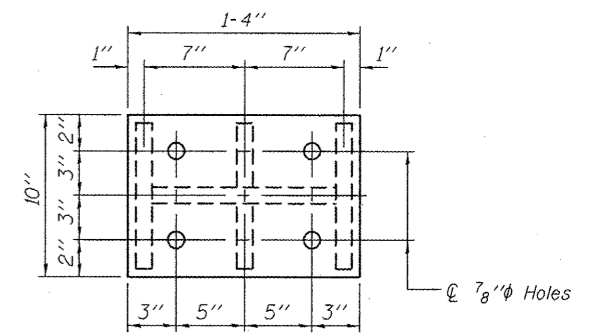


SECTION A-A

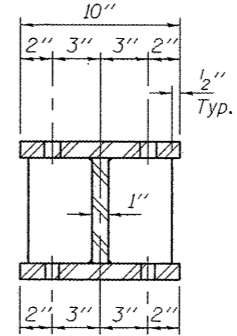
BEAM REACTIONS

RL	(K)	41.1
RL	(K)	37.5
Imp.	(K)	8.4
R (Total)	(K)	87.0

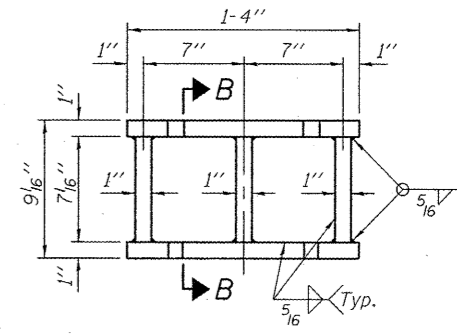
Notes:  
 Diaphragm removal and reinstallation may be required to facilitate drilling holes. Cost included with Furnishing and Erecting Structural Steel.  
 New steel extensions, shim plates and connection bolts are included with Furnishing and Erecting Structural Steel.  
 Prior to ordering any material, the Contractor shall verify in the field all bearing height and shim thickness dimensions. Min. jack capacity = 50 Tons.  
 Anchor bolts shall be ASTM F1554 all-thread (or an Engineer-approved alternate material) of the grade(s) and diameter(s) specified. ASTM A307 Grade C anchor bolts may be used in lieu of ASTM F1554 Grade 36 (Fy=36ksi). The corresponding specified grade of AASHTO M314 anchor bolts may be used in lieu of ASTM F1554.  
 Anchor bolts at fixed bearings may be either cast in place or installed in holes drilled after the supported member is in place.  
 Drilled and set anchor bolts shall be installed according to Article 521.06 of the Standard Specifications.  
 Side retainers shall be included in the cost of Elastomeric Bearing Assembly, Type I.  
 All steel components shall be hot dipped galvanized according to AASHTO M111 and ASTM A385.



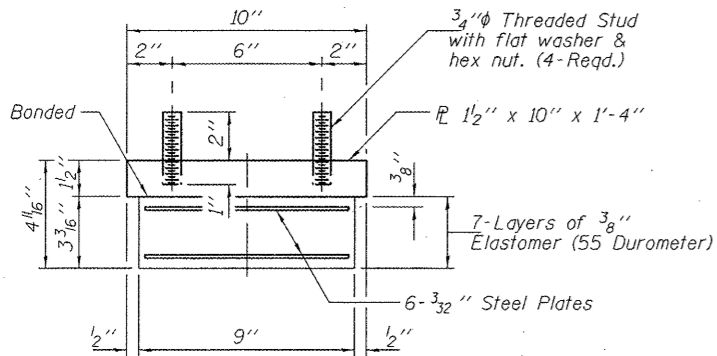
PLAN TOP AND BOTTOM PLATE



SECTION B-B

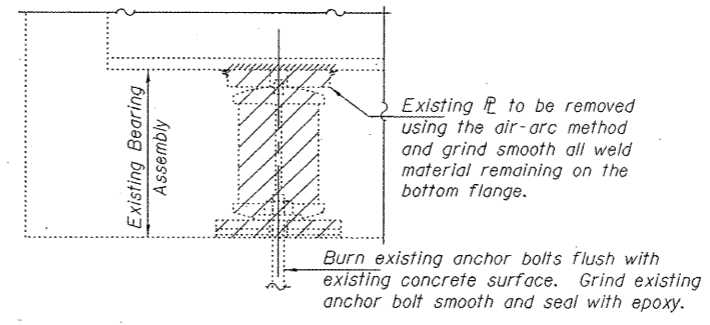


STEEL EXTENSION DETAIL



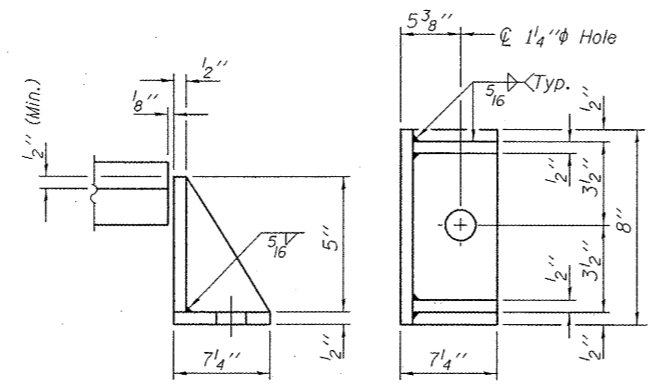
BEARING ASSEMBLY

Note:  
 Shim plates shall not be placed under Bearing Assembly.



EXISTING BEARING REMOVAL DETAIL

Cost included with Jack and Remove Existing Bearings.



SIDE RETAINER

Equivalent rolled angle with stiffeners will be allowed in lieu of welded plates.

BILL OF MATERIAL

Item	Unit	Total
Elastomeric Bearing Assembly, Type I	Each	10
Jack and Remove Existing Bearings	Each	10
Furnishing and Erecting Structural Steel	Pound	1740
Anchor Bolts 1"φ	Each	20

TYI/REPS 12-03-2008

DESIGNED - ADY	EXAMINED - <i>James F. [Signature]</i>	DATE - MARCH 8, 2012
CHECKED - IJL	PASSED - ACTING ENGINEER OF STRUCTURAL SERVICES	
DRAWN - Kyle M. Steffen		
CHECKED - ADY IJL	ACTING ENGINEER OF BRIDGES AND STRUCTURES	

STATE OF ILLINOIS  
 DEPARTMENT OF TRANSPORTATION

BEARING REPLACEMENT DETAILS  
 SN 090-0101

SHEET NO. 4 OF 5 SHEETS

F.A.S. RTE. 462	SECTION (108-HB-1)1-2	COUNTY TAZEWELL	TOTAL SHEETS 14	SHEET NO. 7
CONTRACT NO. 68A59				ILLINOIS FED. AID PROJECT