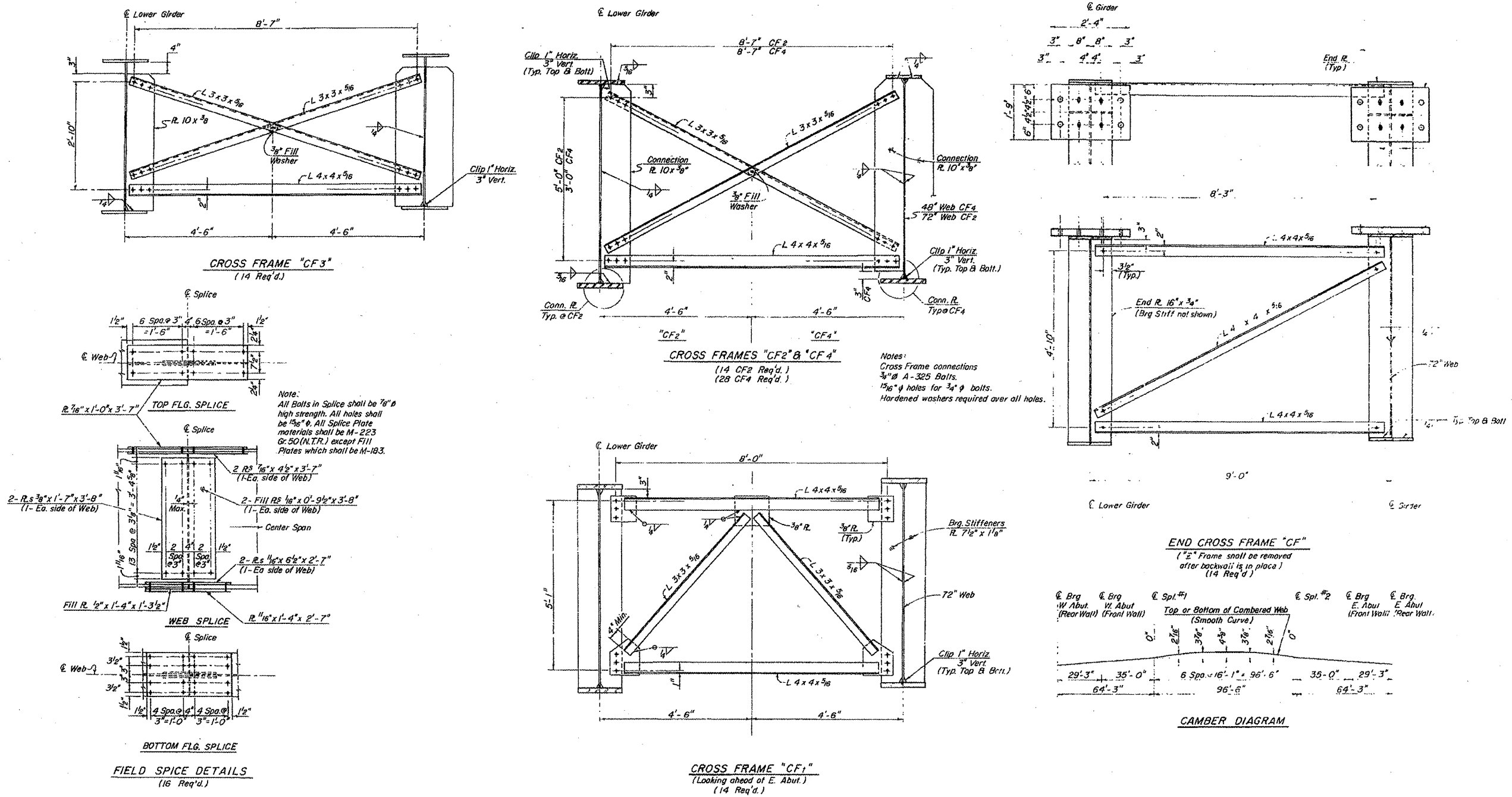


S.N. 102-0049 LOCATION 2 INFORMATION ONLY



FILE NAME = April 2012 printing.dgn

USER NAME = AdadeSA
PLOT SCALE = 2.0285' / 1" = 1/8"
PLOT DATE = 2/1/2012

DESIGNED -	REVISED -
DRAWN -	REVISED -
CHECKED -	REVISED -
DATE -	REVISED -

**STATE OF ILLINOIS
DEPARTMENT OF TRANSPORTATION**

SCALE: _____ SHEET _____ OF _____ SHEETS STA. _____ TO STA. _____

F.A.I. RTE.	SECTION	COUNTY	TOTAL SHEETS	SHEET NO.
39	102-[4HB]3HB-2J	WOODFORD	12	11
CONTRACT NO. 68A94			ILLINOIS FED. AID PROJECT	