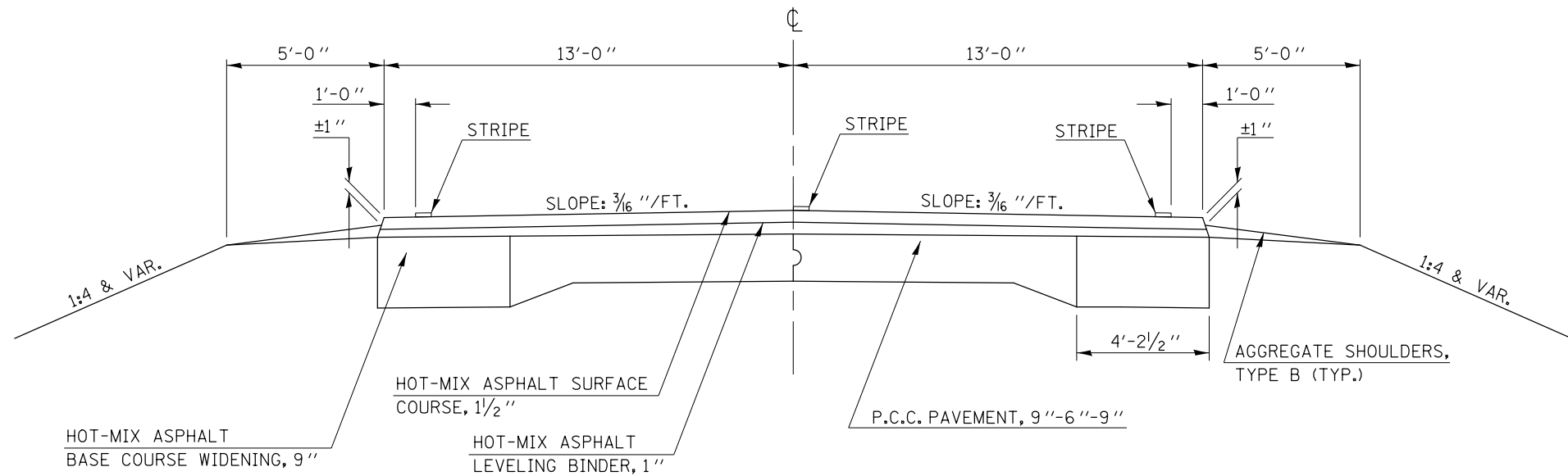


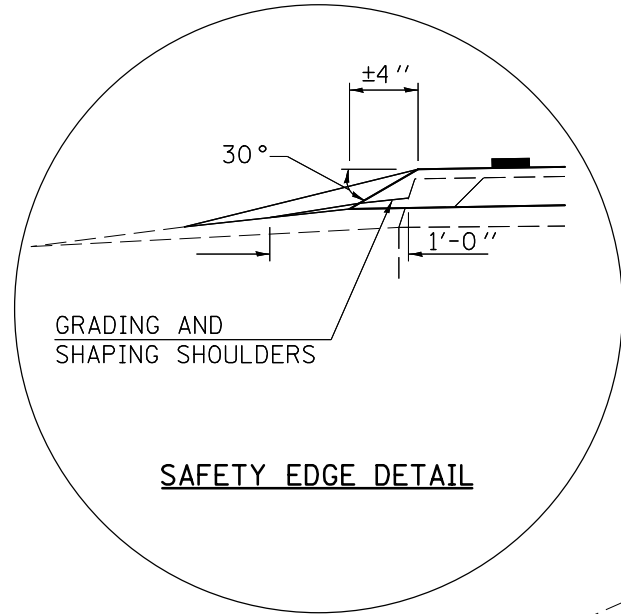
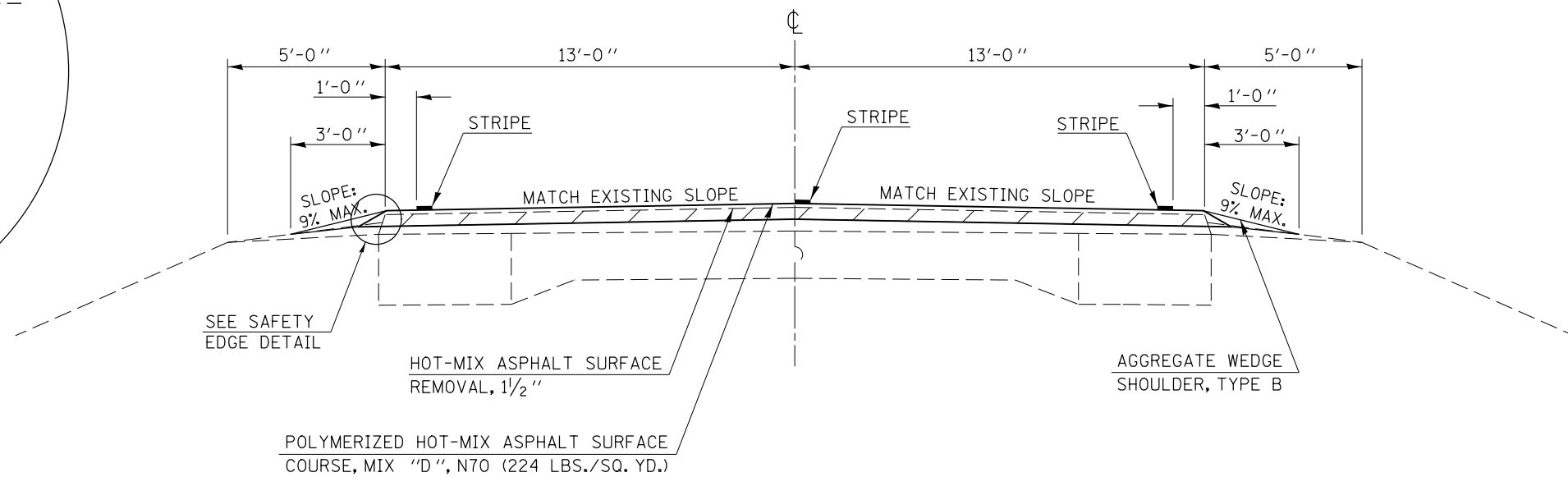
(A) EXISTING TYPICAL CROSS SECTION

STATION 106+50.00 TO STATION 113+86.00 (B)



(1) PROPOSED TYPICAL CROSS SECTION

STATION 106+50.00 TO STATION 113+86.00 (2)



HMA SURFACE REMOVAL, 1 1/2"

FILE NAME =	USER NAME = ppersonbr	DESIGNED - SEL	REVISED -	STATE OF ILLINOIS DEPARTMENT OF TRANSPORTATION	TYPICAL CROSS SECTIONS			F.A.S. RTE.	SECTION	COUNTY	TOTAL SHEETS	SHEET NO.
ci:\pwork\pwork\pwork\personbr\d0249274\0570874-sh-t-typc01s.dgn		DRAWN - BBP	REVISED -		533	(10-34,HB-5,106)RS-1	Champaign	26	6			
PLOT SCALE = 40.0000' / in.		CHECKED -	REVISED -		CONTRACT NO. 70874			ILLINOIS FED. AID PROJECT				
PLOT DATE = 1/27/2012		DATE - 03/03/11	REVISED -		SCALE: NONE	SHEET NO. 1 OF 4 SHEETS	STA. TO STA.					