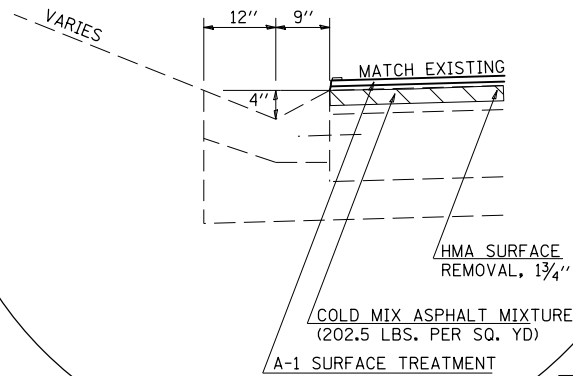


GUTTER LOCATIONS

DETAIL "A"

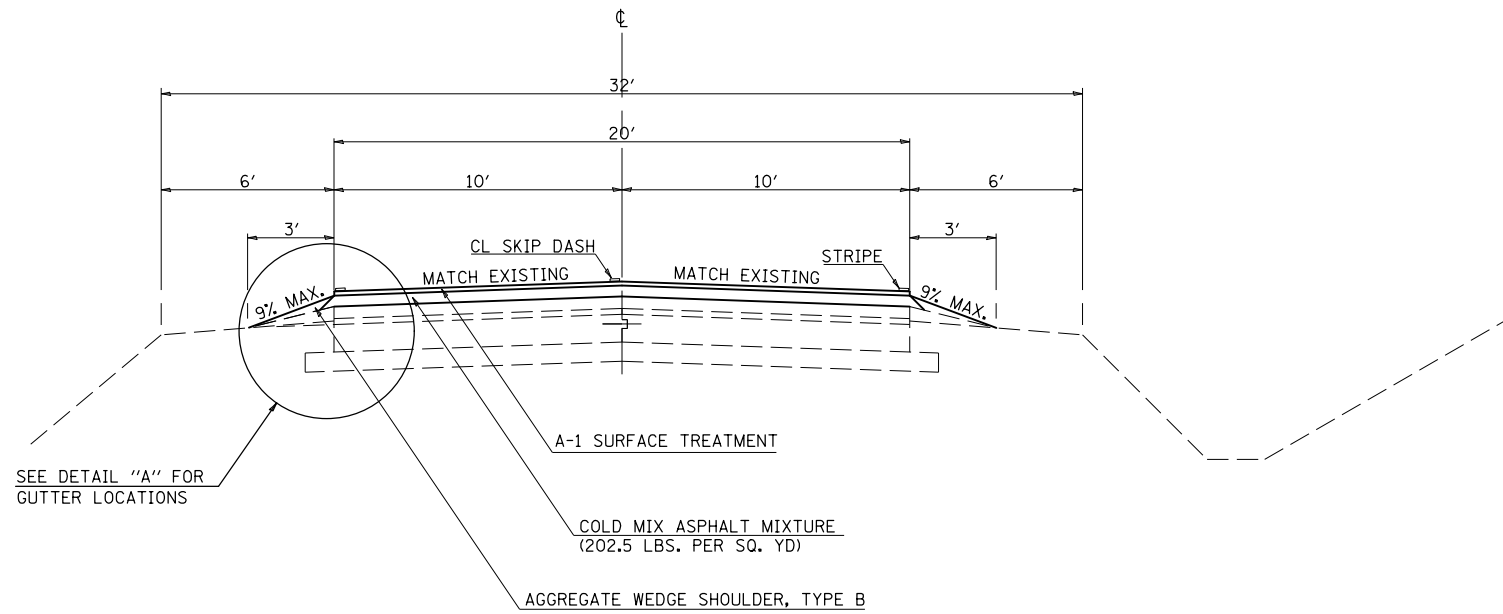
LT. STA. 269+04 TO STA. 272+42
 LT. STA. 278+85 TO STA. 284+93
 LT. STA. 298+10 TO STA. 301+92
 RT. STA. 278+87 TO STA. 284+92
 RT. STA. 298+10 TO STA. 302+30
 RT. STA. 311+07 TO STA. 317+94



RATE OF APPLICATION FOR COLD MIX ASPHALT MIXTURE:
 90 LBS. PER SQ. YD. PER INCH

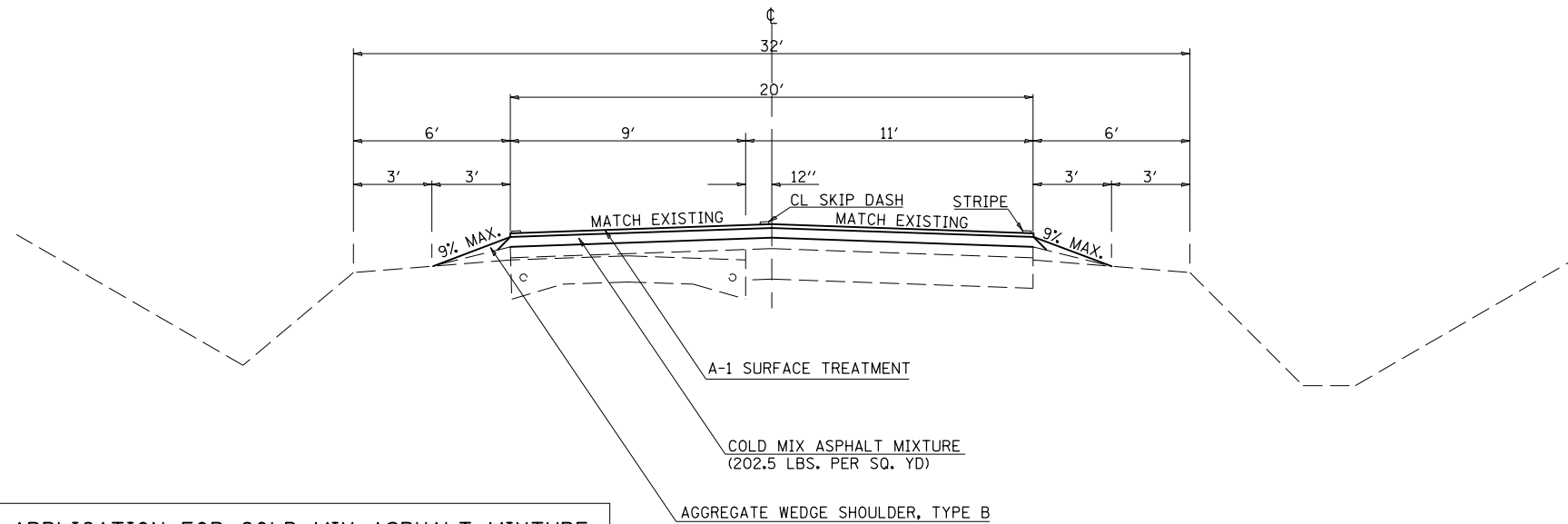
PROPOSED TYPICAL CROSS SECTION ①

STA. 217+49 TO STA. 225+49
 STA. 230+49 TO STA. 236+99
 STA. 240+49 TO STA. 244+49
 STA. 265+49 TO STA. 322+99



PROPOSED TYPICAL CROSS SECTION ②

STA. 225+49 TO STA. 230+49
 STA. 236+99 TO STA. 240+49
 STA. 244+49 TO STA. 265+49
 STA. 322+99 TO STA. 331+41
 STA. 335+13 TO STA. 372+12.5



RATE OF APPLICATION FOR COLD MIX ASPHALT MIXTURE:
 90 LBS. PER SQ. YD. PER INCH

FILE NAME =	USER NAME = dawsonkb	DESIGNED -	REVISED -
ct:\pwork\pwork\pwork\dawsonkb\02288686\0570930-sh1-typical.dgn		DRAWN -	REVISED -
	PLOT SCALE = 40.0000' / in.	CHECKED -	REVISED -
	PLOT DATE = 1/31/2012	DATE -	REVISED -

**STATE OF ILLINOIS
 DEPARTMENT OF TRANSPORTATION**

PROPOSED TYPICAL SECTION

SCALE: _____ SHEET _____ OF _____ SHEETS STA. _____ TO STA. _____

F.A.S. RTE.	SECTION	COUNTY	TOTAL SHEETS	SHEET NO.
522	(4)RS	Champaign	23	7
				CONTRACT NO. 70930
ILLINOIS FED. AID PROJECT				