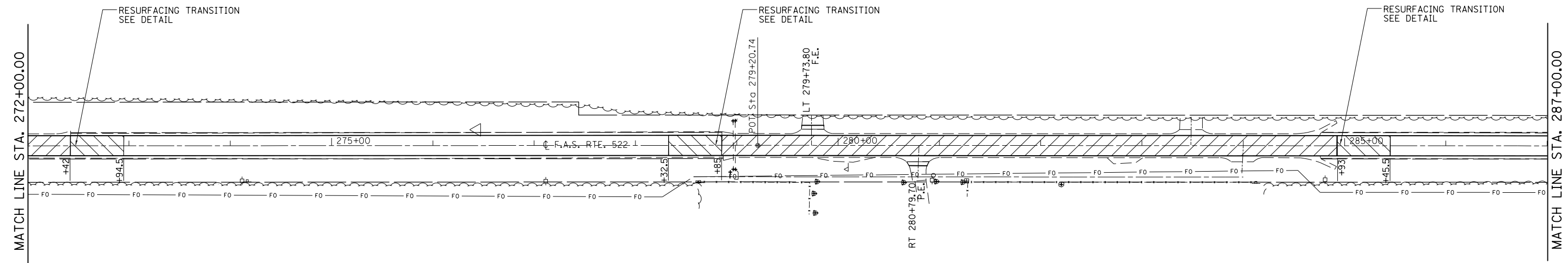
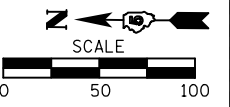


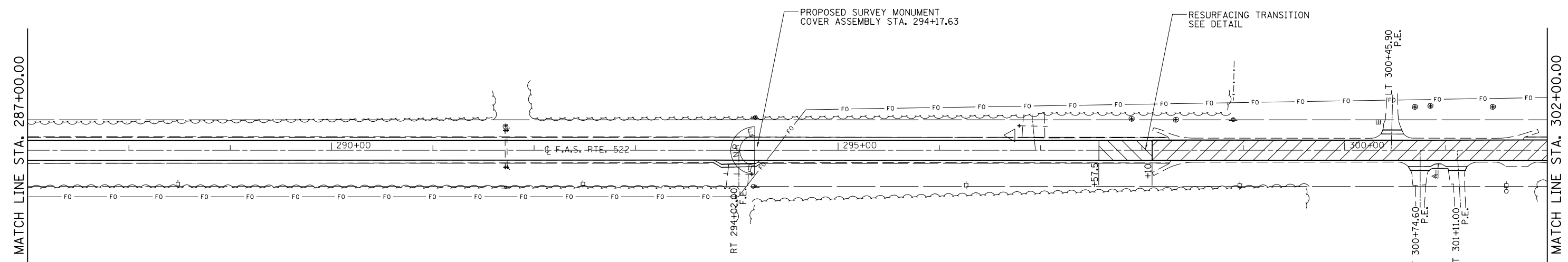
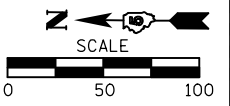
SEC. 10 - T 17 N - R 10 E - 3RD PM



- HMA SURFACE REMOVAL, VARIABLE DEPTH
AREA PAID FOR AS
HMA SURFACE REMOVAL, 1 3/4"
- HMA SURFACE REMOVAL, 1 3/4"
- HMA SURFACE REMOVAL - BUTT JOINT

SEC. 9 - T 17 N - R 10 E - 3RD PM

SEC. 10 - T 17 N - R 10 E - 3RD PM



- HMA SURFACE REMOVAL, VARIABLE DEPTH
AREA PAID FOR AS
HMA SURFACE REMOVAL, 1 3/4"
- HMA SURFACE REMOVAL, 1 3/4"
- HMA SURFACE REMOVAL - BUTT JOINT

SEC. 9 - T 17 N - R 10 E - 3RD PM

FILE NAME =	USER NAME = dawsonkb	DESIGNED -	REVISED -	STATE OF ILLINOIS DEPARTMENT OF TRANSPORTATION	PLAN SHEET				F.A.S. RTE.	SECTION	COUNTY	TOTAL SHEETS	SHEET NO.
	ei:\pwork\pwork\dot\dawsonkb\02288686\0570930-sh1-dblp1n_50.dgn	DRAWN -	REVISED -		SCALE:	SHEET	OF	SHEETS	522	(4)RS	Champaign	23	13
	PLOT SCALE = 100.0000' / in.	CHECKED -	REVISED -		STA. 272+00.00	TO STA. 302+00.00			ILLINOIS FED. AID PROJECT				
	PLOT DATE = 1/31/2012	DATE -	REVISED -		CONTRACT NO. 70930								