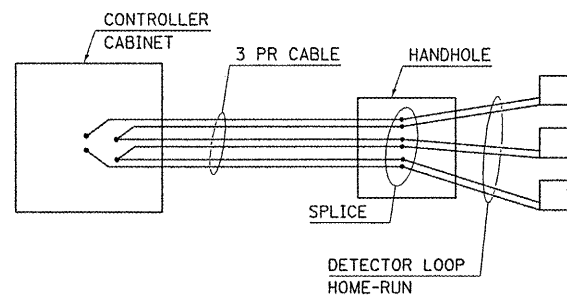
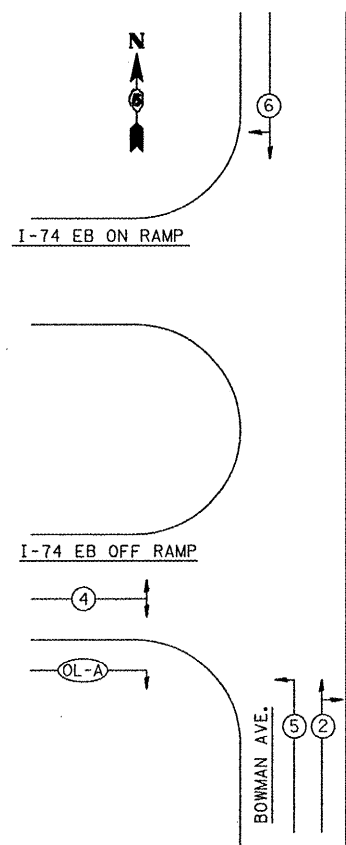


DETAIL OF DETECTOR LOOP WIRING

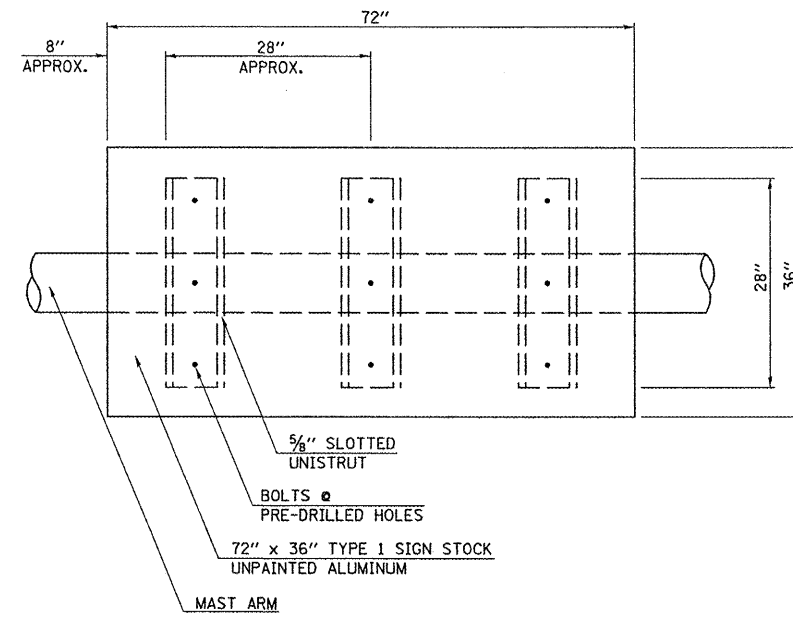
WIRED IN SERIES WITH MULTI-PAIR CABLE



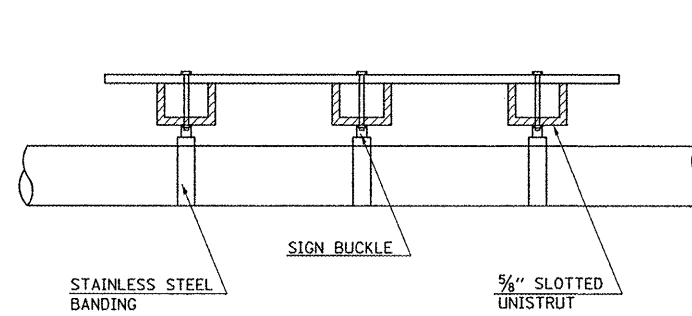
PHASE DESIGNATION DIAGRAM



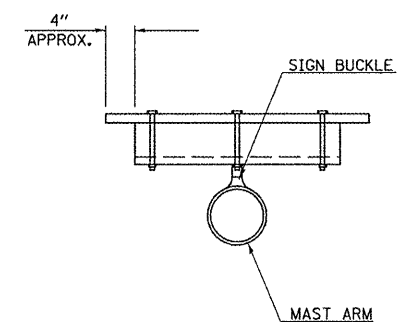
MAST ARM DAMPENING DEVICE MOUNTING DETAIL



PLAN VIEW



ELEVATION



CROSS SECTION

NOTE: PAINT ENDS OF UNISTRUT WITH SPRAY ON GALVANIZED PAINT

FILE NAME =	USER NAME = biggsrd	DESIGNED - RDB	REVISED -	STATE OF ILLINOIS DEPARTMENT OF TRANSPORTATION	SCALE: _____ SHEET _____ OF _____ SHEETS STA. _____ TO STA. _____	F.A.U. RTE.	SECTION	COUNTY	TOTAL SHEETS	SHEET NO.	
c:\pwwork\puidot\biggsrd\d0277273\0570	958-Design.dgn	DRAWN - RDB	REVISED -			7045	(92-12)TS	VERMILION	11	10	
	PLOT SCALE = 40,0000' / in.	CHECKED -	REVISED -			CONTRACT NO. 70958					
	PLOT DATE = 2/3/2012	DATE -	REVISED -			ILLINOIS FED. AID PROJECT					