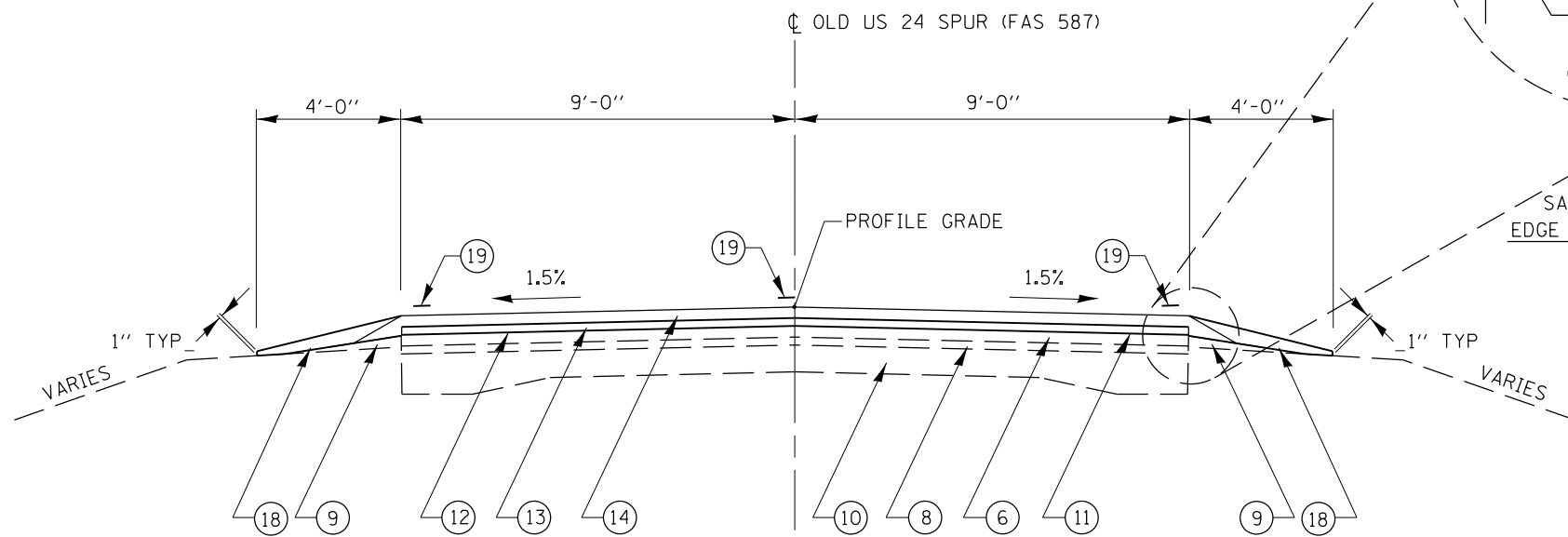


TYPICAL SECTION # 5

STA 726+00.00 TO 733+78.80



TYPICAL SECTION # 6

STA 723+66.78 TO STA 726+00.00
STA 738+71.92 TO STA 742+41.27

LEGEND

- ① EX PCC BASE COURSE (VARIABLE DEPTH)
- ② EX WATERBOUND MACADAM BASE COURSE (9")
- ③ EX SUBBASE GRANULAR MATERIAL TYPE A (MODIFIED)
- ④ EX HOT-MIX ASPHALT OVERLAY (4 1/2")
- ⑤ EX HOT-MIX ASPHALT OVERLAY (3")
- ⑥ EX HOT-MIX ASPHALT SURFACE COURSE (1 1/2")
- ⑦ EX HOT-MIX ASPHALT SHOULDERS TO BE REMOVED
- ⑧ EX LEVELING BINDER (VARIABLE THICKNESS)
- ⑨ EX AGGREGATE SHOULDERS, TYPE B
- ⑩ EX 9-6-9 CONCRETE PAVEMENT
- ⑪ EX OIL & CHIP SURFACE
- ⑫ PR HOT-MIX ASPHALT SURFACE REMOVAL, VARIABLE DEPTH
- ⑬ PR LEVELING BINDER (MACHINE METHOD), N70 (3/4")
- ⑭ PR HOT-MIX ASPHALT SURFACE COURSE, MIX "C" N70 (1 1/2")
- ⑮ PR HOT-MIX ASPHALT SHOULDERS, 6 1/2"
- ⑯ PR EXCAVATING AND GRADING EXISTING SHOULDER
- ⑰ PR SHOULDER RUMBLE STRIPS, 8 INCH
- ⑱ PR AGGREGATE SHOULDERS, TYPE B (WEDGE)
- ⑲ PR PAVEMENT MARKING
- ⑳ PR STEEL PLATE BEAM GUARDRAIL, (TYPE A) 6 FOOT POST

CONSTRUCTION SEQUENCE FOR HMA SHOULDERS 6 1/2"

1. MILL EXISTING PAVEMENT 25'.
2. PLACE LEVELING BINDER ON MILLED PAVEMENT TO REDUCE MILLED SURFACE EXPOSURE 22'.
3. REMOVE EXISTING PAVED SHOULDER 1.5'
3. CONSTRUCT 6 1/2" HMA SHOULDERS.
4. FINISH WITH HMA SURFACE COURSE 1 1/2". PAVE HMA SHOULDERS MONOLITHICALLY WITH THE HMA SURFACE COURSE OF PAVEMENT.
5. THE TOTAL SHOULDER THICKNESS AFTER RESURFACING WILL BE 8".

***NOTE:**

SEE SUPERELEVATION TRANSITION DETAIL FOR TWO LANE HIGHWAY SHEET FOR SUPERELEVATION DATA.

FILE NAME =	USER NAME = sparksgw	DESIGNED -	REVISED -	STATE OF ILLINOIS DEPARTMENT OF TRANSPORTATION	TYPICAL SECTIONS				F.A.P. RTE.	SECTION	COUNTY	TOTAL SHEETS	SHEET NO.
ei:\pwork\pwork\sparksgw\0215228\0672884-sht-typical.dgn	DRAWN -	REVISED -	REVISED -						317	6RS-4	BROWN	23	7
PLOT SCALE = 40.0000' / in.	CHECKED -	REVISED -	REVISED -		CONTRACT NO. 72884								
PLOT DATE = Feb-06-2012 02:59:52PM	DATE -	REVISED -	REVISED -		SCALE:	SHEET NO.	OF SHEETS	STA.	TO STA.	ILLINOIS FED. AID PROJECT			