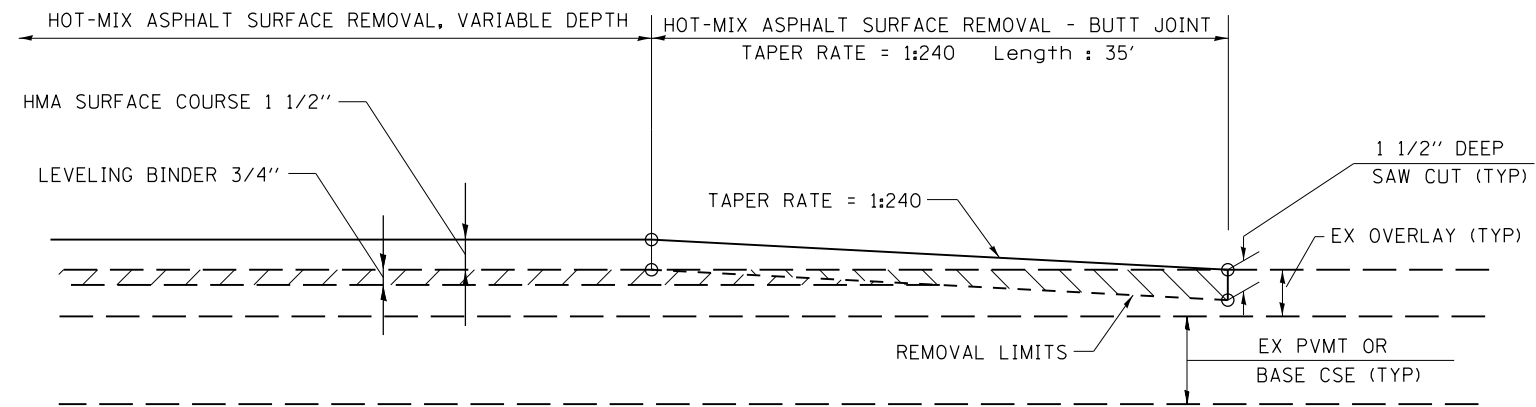


**BUTT JOINT DETAIL #1**

STA 214+61.00 TO STA 214+96.00



**BUTT JOINT DETAIL #2**

STA 373+58.10 TO STA 373+93.10

\* SAW CUT IS INCLUDED IN THE COST OF HMA SURFACE REMOVAL - BUTT JOINT, AND IS NOT TO BE PAID SEPARATELY.

FILE NAME =	USER NAME = sparksgw	DESIGNED -	REVISED -	<b>STATE OF ILLINOIS DEPARTMENT OF TRANSPORTATION</b>	<b>BUTT JOINT AND RAMP DETAILS</b>				F.A.P. RTE.	SECTION	COUNTY	TOTAL SHEETS	SHEET NO.
c:\pwork\pwork\sparksgw\0215228\0672884-sht-details.dgn		DRAWN -	REVISED -						317	6RS-4	BROWN	23	19
PLOT SCALE = 40.0000' / in.	CHECKED -	REVISED -	SCALE:		SHEET NO.	OF SHEETS	STA.	TO STA.	CONTRACT NO. 72D78				
PLOT DATE = Feb-06-2012 03:00:08PM	DATE -	REVISED -							ILLINOIS FED. AID PROJECT				