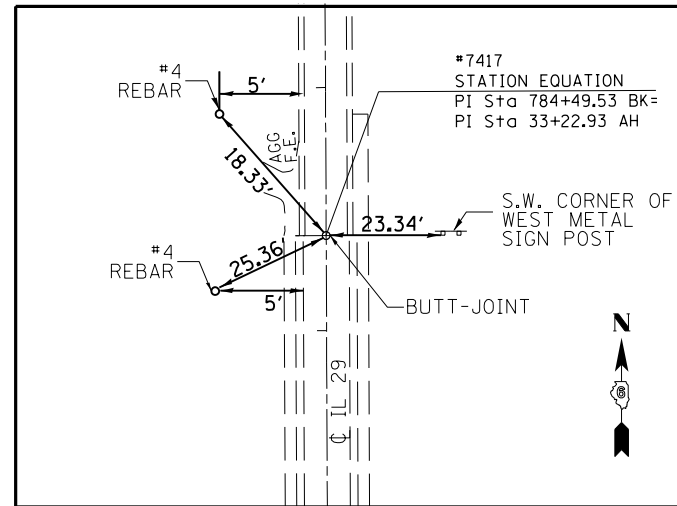
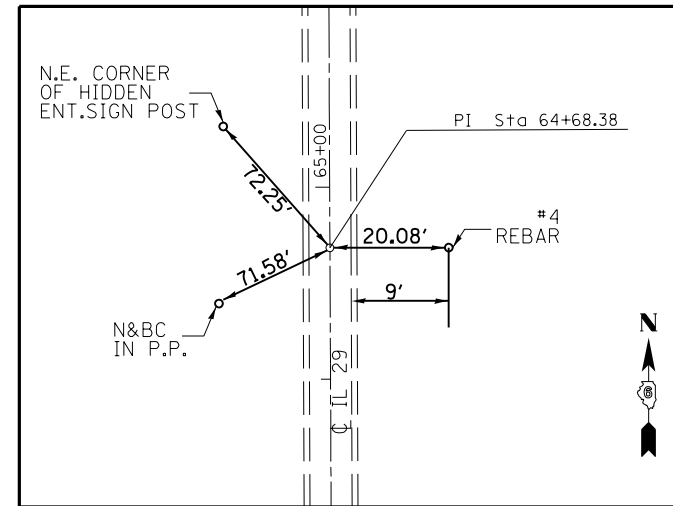


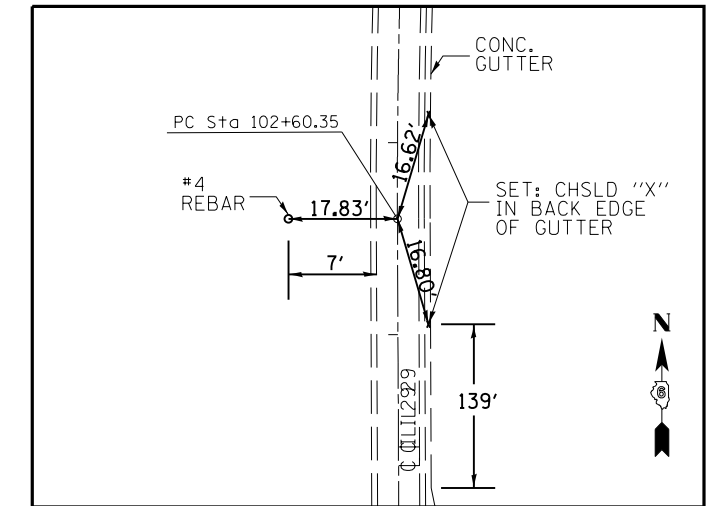
P.T. STA. 778+30.69
(SET: P.K. NAIL IN CHISELED "X")



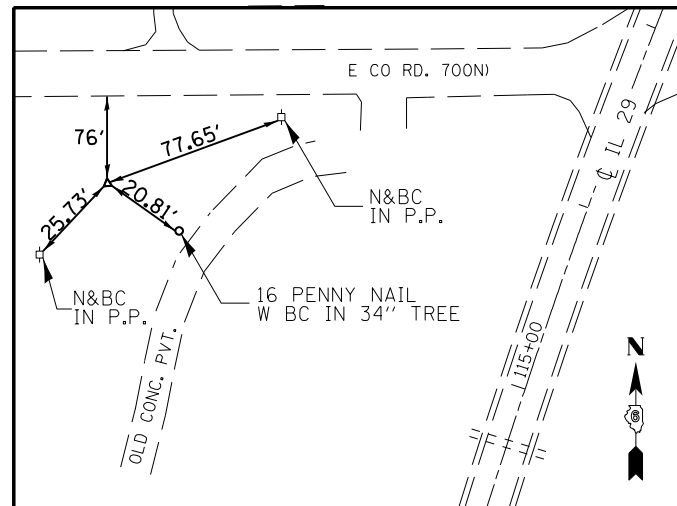
STATION EQUATION:
P.I. STA. 784+49.53 BK = P.I. STA. 33+22.93 AH
(FD: BRASS DISK WITH DIMPLE)



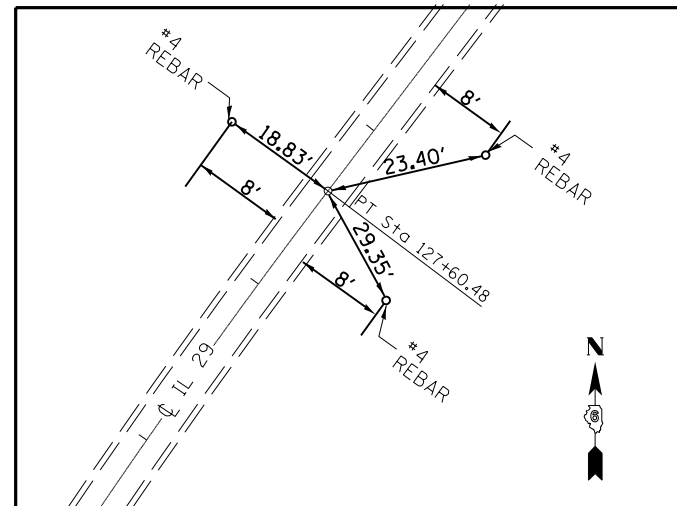
P.I. STA. 64+68.38
(SET: P.K. NAIL IN CHISELED "X")



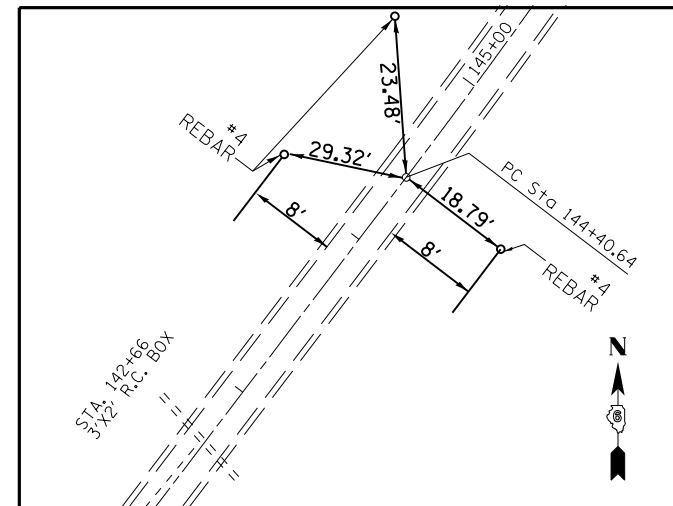
P.C. STA. 102+60.35
(SET: P.K. NAIL IN CHISELED "X")



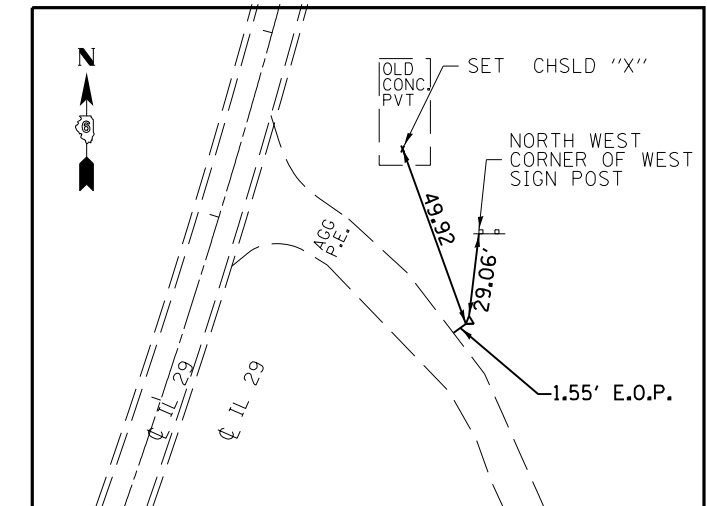
P.I. STA. 115+57.05



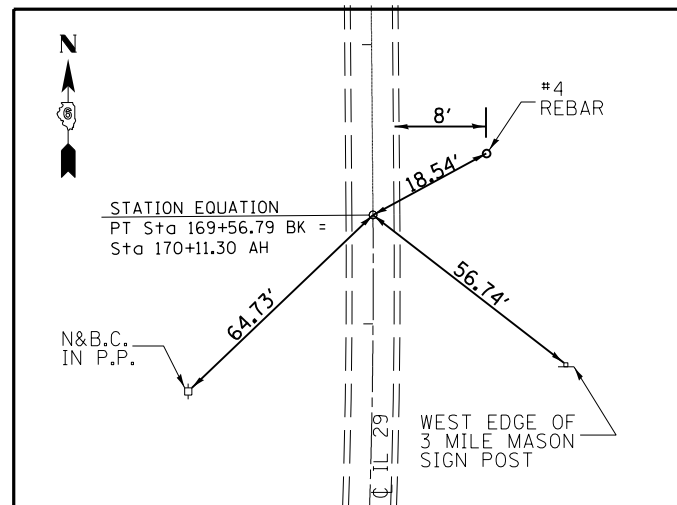
P.T. STA. 127+60.48
(SET: P.K. NAIL IN CHISELED "X")



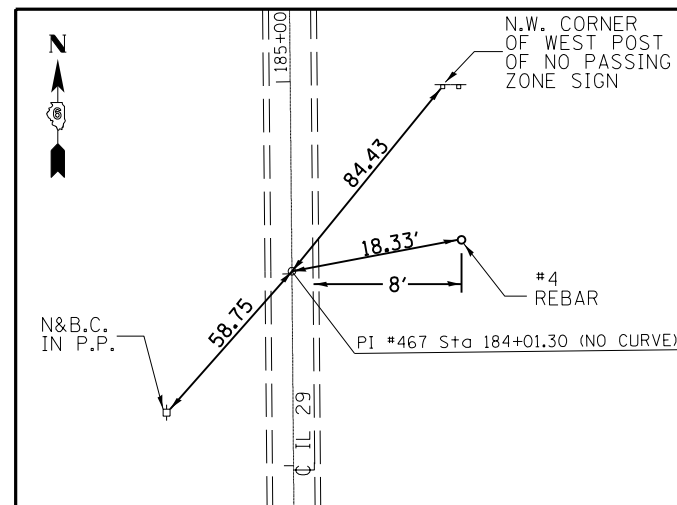
P.C. STA. 144+40.64
(SET: P.K. NAIL IN CHISELED "X")



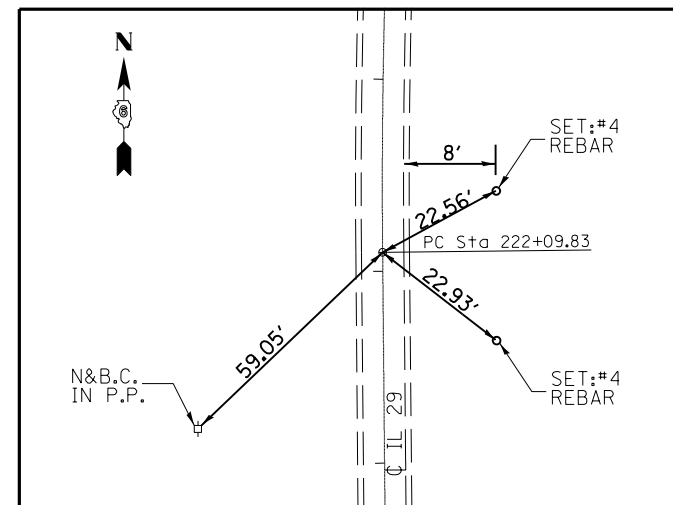
P.I. STA. 157+46.24
(SET: P.K. NAIL IN CONC. PVT. BURIED 8")



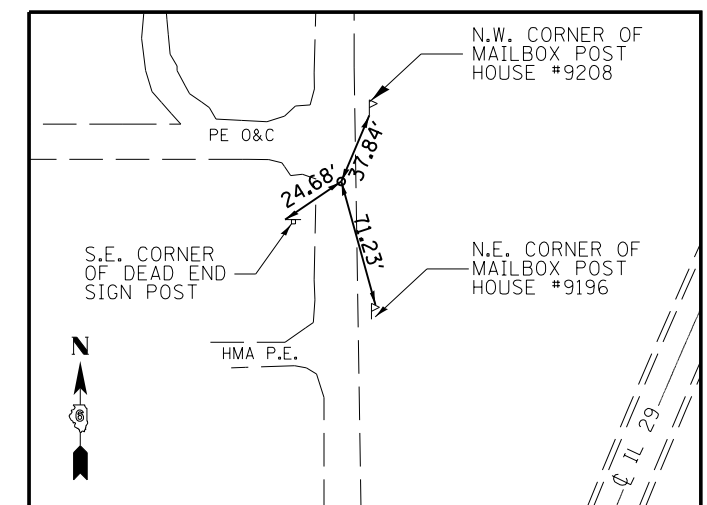
STATION EQUATION:
P.T. STA. 169+56.79 = P.O.T. STA. 170+11.30
(SET: P.K. NAIL IN CHISELED "X")



P.I. STA. 184+01.30
(SET: P.K. NAIL IN CHISELED "X")



P.C. STA. 222+09.83
(SET: P.K. NAIL IN CHISELED "X")



P.I. STA. 239+29.13
(SET: P.K. NAIL IN OIL & CHIP ROAD)

FILE NAME =	USER NAME = sparksgw	DESIGNED -	REVISED -
ca:\pw\work\p1d01\sparksgw\10283522\06xxxx-sht-genote.dgn		DRAWN -	REVISED -
		CHECKED -	REVISED -
		DATE -	REVISED -

STATE OF ILLINOIS
DEPARTMENT OF TRANSPORTATION

SURVEY CROSS TIES

SCALE: SHEET 3 OF 4 SHEETS STA. TO STA.

F.A.P. RTE.	SECTION	COUNTY	TOTAL SHEETS	SHEET NO.
658	.	**	106	28
CONTRACT NO. 72E04				
ILLINOIS FED. AID PROJECT				

• (EIRS-4, GIRS-6) & (FIRS-3, 1-1)
•• MASON/MENARD