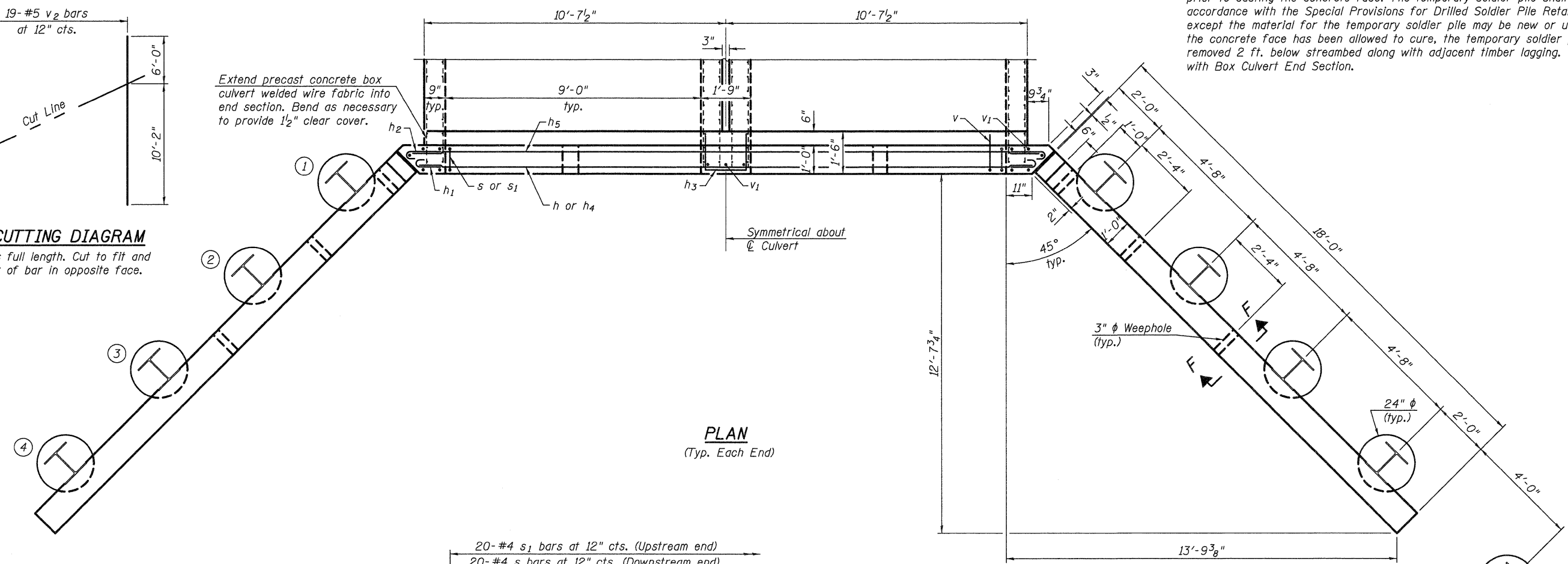


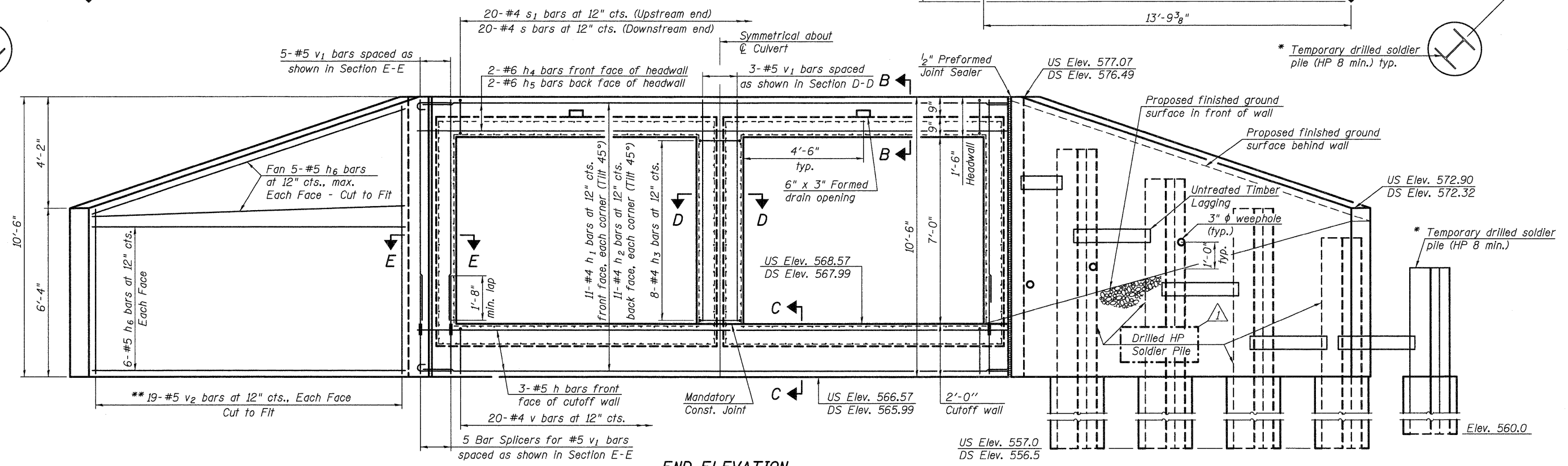
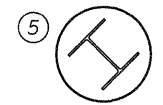
**\*\* FIELD CUTTING DIAGRAM**  
Order v<sub>2</sub> bars full length. Cut to fit and use remainder of bar in opposite face.

Extend precast concrete box culvert welded wire fabric into end section. Bend as necessary to provide 1/2" clear cover.



**PLAN**  
(Typ. Each End)

\* The temporary soldier pile is require to facilitate backfilling of the wall prior to casting the concrete face. The temporary soldier pile shall be in accordance with the Special Provisions for Drilled Soldier Pile Retaining Wall except the material for the temporary soldier pile may be new or used. after the concrete face has been allowed to cure, the temporary soldier pile shall be removed 2 ft. below streambed along with adjacent timber lagging. Cost included with Box Culvert End Section.



**END ELEVATION**

DESIGNED - DAVID L. GREIFZU	EXAMINED
CHECKED - MICHAEL D. ROLAPE	PASSED
DRAWN - MICHAEL B. MOSSMAN	
CHECKED - D.L.G. / M.D.R.	

Thomas J. Donagalli  
ENGINEER OF BRIDGES AND STRUCTURES

DATE - August 1, 2011	REVISED - 4/23/2012 G.M.K.
	REVISED

STATE OF ILLINOIS  
DEPARTMENT OF TRANSPORTATION

BOX CULVERT END SECTION DETAILS  
STRUCTURE NO. 018-8311

SHEET NO. 2 OF 6 SHEETS

F.A.P. RTE. 828	SECTION (108,109,110RS-3)	COUNTY CUMBERLAND	TOTAL SHEETS 56	SHEET NO. 40
			CONTRACT NO. 74252	
ILLINOIS FED. AID PROJECT				