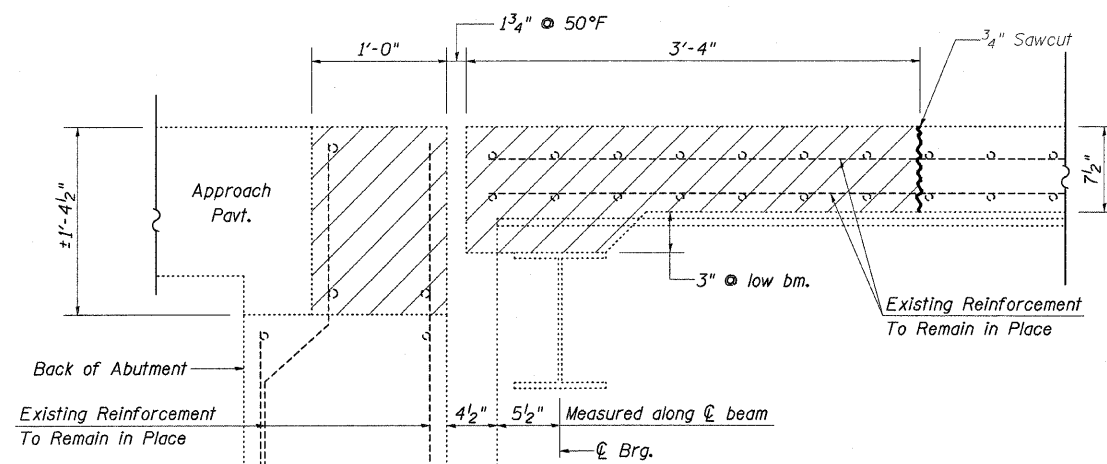
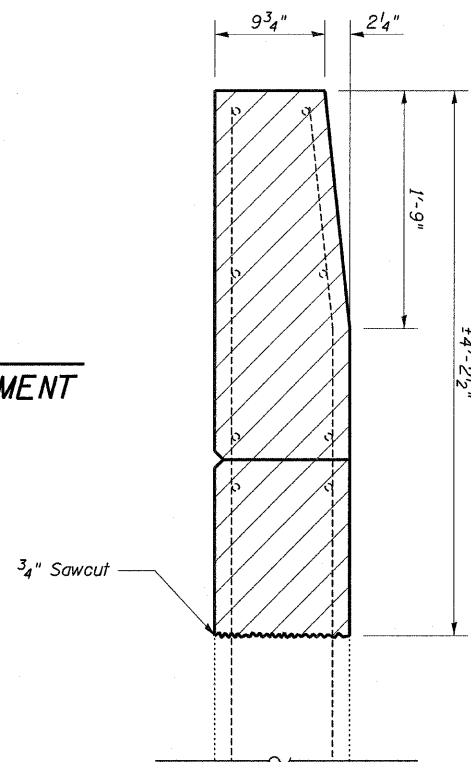
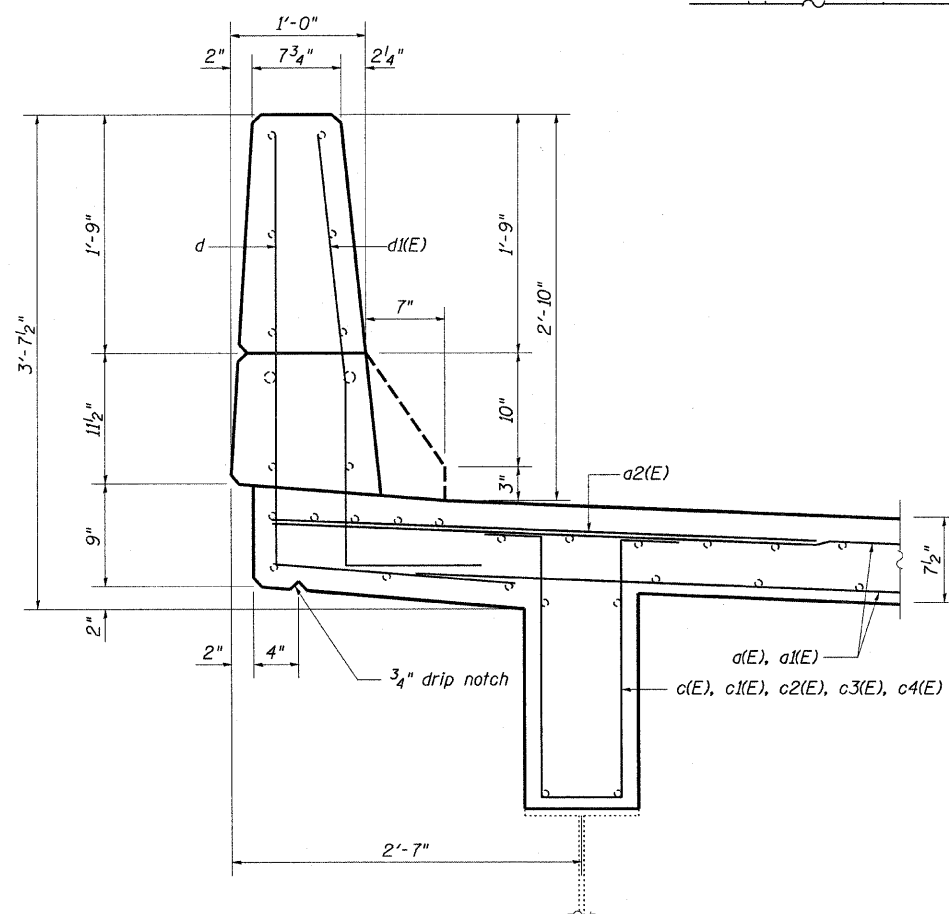


**TYPICAL WINGWALL
REMOVAL AND REPLACEMENT**

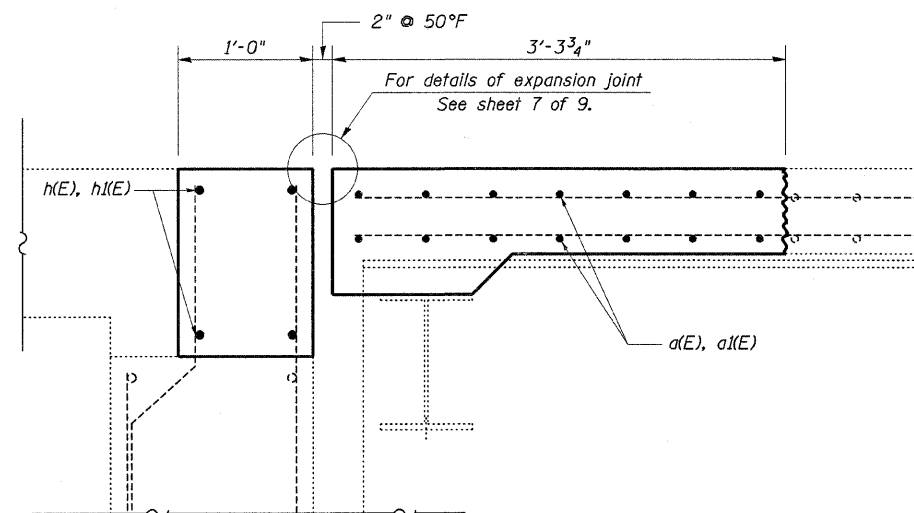


SECTION A-A
(Dimensions at Rt. L's to end of deck)

○ Existing Reinforcement
● Proposed Reinforcement



SECTION THRU PARAPET



SECTION B-B
(Dimensions at Rt. L's to end of deck)

FILE NAME =	USER NAME = teasleyck	DESIGNED KLB	REVISED -	STATE OF ILLINOIS DEPARTMENT OF TRANSPORTATION	EXPANSION JOINT REPLACEMENT DETAILS SN. 026-0014			F.A.I. RTE.	SECTION	COUNTY	TOTAL SHEETS	SHEET NO.	
ci:\pw_work\pwidot\teasleyck\d0269434\07	4527-shr-br-details-0260014.dgn	DRAWN KLB	REVISED -		SCALE:	SHEET NO. 4 OF 9 SHEETS	STA.	TO STA.	TO	Fayette	11	11	
	PLOT SCALE = 20.0000' / in.	CHECKED MEA	REVISED -										
	PLOT DATE = 2/16/2012	DATE 08/08/11	REVISED -										
ILLINOIS FED. AID PROJECT													