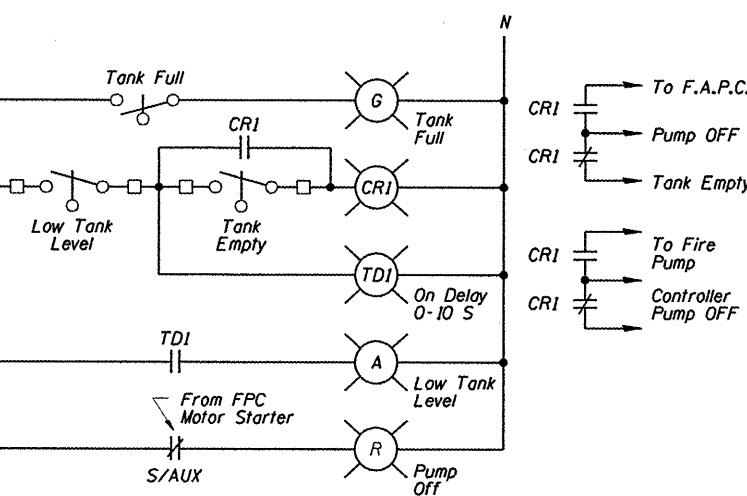
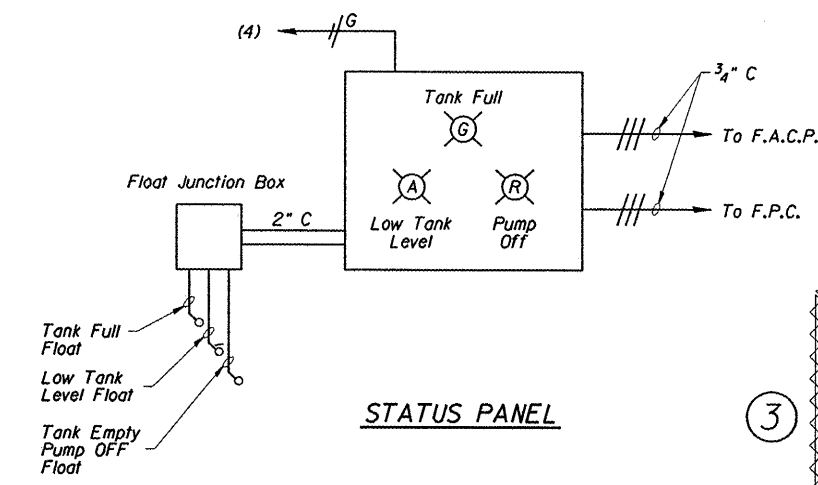
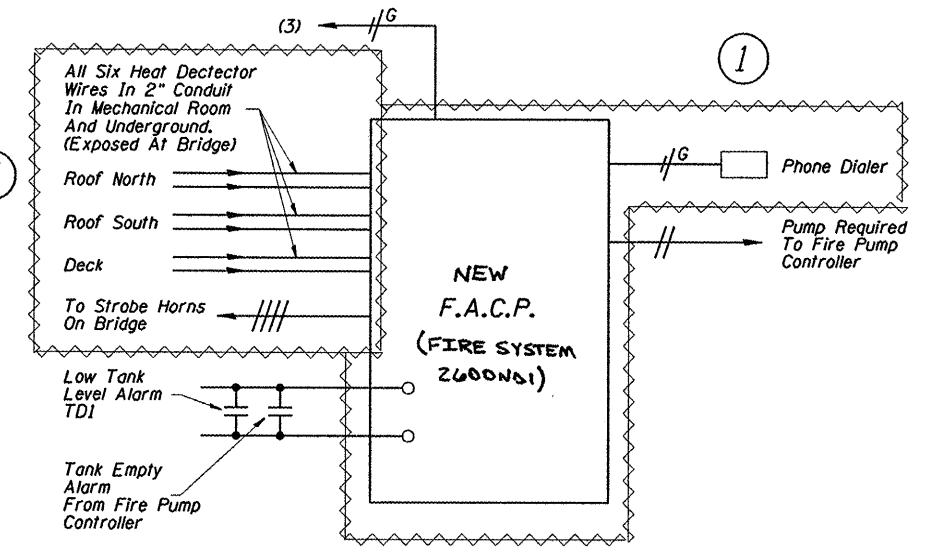


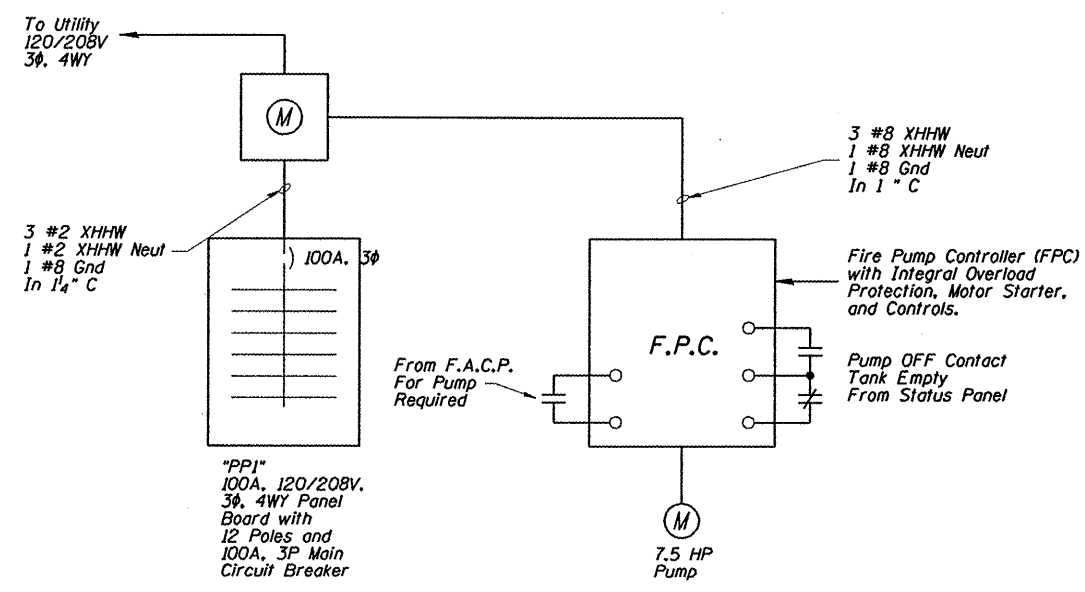
SCHMATIC ELECTRICAL DISTRIBUTION



STATUS PANEL ONE-LINE DIAGRAM



FIRE ALARM CONTROL PANEL



ELECTRICAL ONE-LINE DIAGRAM

PANEL BOARD SCHEDULE

MAINS: 100 AMP PANEL 100 AMP BREAKER

VOLTAGE: 120/208 VOLTS. PHASE: 4 WIRE

ENCLOSURE: NEMA 3R

WIRE SIZE	GRD SIZE	C.	ITEM	POLE	AMP RAT.	CKT NO.	LEFT PHASE			CKT NO.	AMP RAT.	POLE	ITEM	C.	GRD SIZE	WIRE SIZE
							A	B	C							
#12	#12	3/4"	Fixtures (F-1)	1	20	1	X			2	20	1	Receptacle	3/4"	#12	#12
#12	#12	3/4"	Fire Alarm Control Panel (FACP)	1	20	3		X		4	20	1	Status Panel	3/4"	#12	#12
#12	#12	3/4"	Phone Dialer	1	20	5			X	6	-	-	Spare	-	-	-
#12	#12	3/4"	EF-1	1	20	7	X		X	8						
-	-	-	Spare	-	-	9		X		10	15	3	3.7 KW Heater (UH-1)	3/4"	#12	#12
-	-	-	Spare	-	-	11			X	12						

Notes: Proposed work shown enclosed in wavy lines. See sheet #2 for keyed notes.

NOTE: DRAWINGS NOT TO SCALE

FILE NAME =	USER NAME = steffernk	DESIGNED -	REVISED -
ci:\pwwork\pwwork\steffernk\d0278834\d074551-shd-details.dgn		DRAWN -	REVISED -
PLOT SCALE = 100.0000 / in.		CHECKED -	REVISED -
PLOT DATE = 1/30/2012		DATE -	REVISED -

STATE OF ILLINOIS
DEPARTMENT OF TRANSPORTATION

FIRE ALARM SYSTEM & ELECTRICAL DISTRIBUTION
THOMPSON MILL COVERED BRIDGE

SCALE: NA SHEET 1 OF 1 SHEETS STA. TO STA.

TR	SECTION	COUNTY	TOTAL SHEETS	SHEET NO.
389A	D7 ELECTRICAL 2012-1	SHELBY	7	7
CONTRACT NO. 74551			ILLINOIS FED. AID PROJECT	