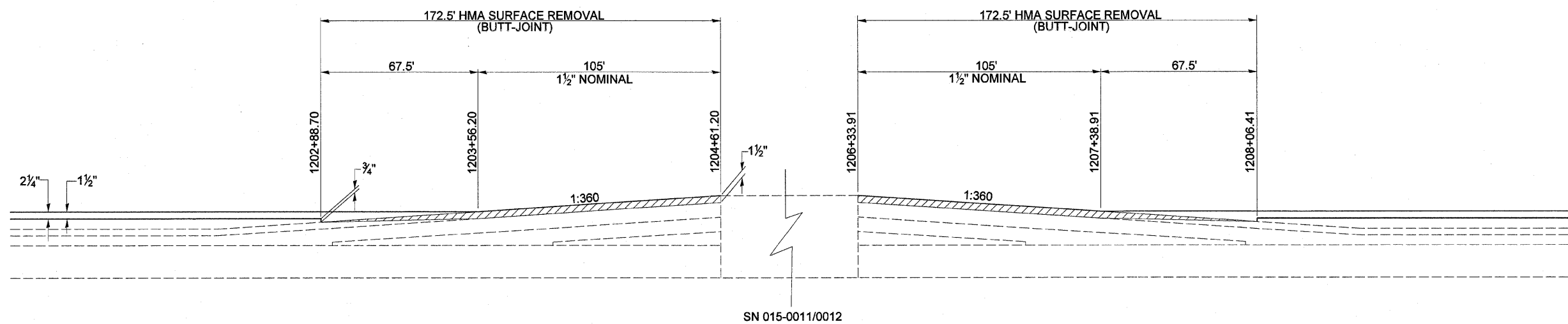


SN 015-0009/0010



SN 015-0011/0012

FILE NAME = c:\pw\work\pwwork\swartzr\ad0288358\0775502-sht-details.dgn	USER NAME = swartzr	DESIGNED - JLD	REVISED -	STATE OF ILLINOIS DEPARTMENT OF TRANSPORTATION	TRANSITION AND BUTT JOINT DETAILS			F.A.I. RTE.	SECTION	COUNTY	TOTAL SHEETS	SHEET NO.
	PLOT SCALE = 50.0000' / 1" =	CHECKED -	REVISED -					57	15(22,23,24,25,26)RS-4	COLES	48	45
	PLOT DATE = 1/31/2012	DATE -	REVISED -		SCALE: NA SHEET NO. 2 OF 5 SHEETS STA. TO STA.			CONTRACT NO. 74560				
								ILLINOIS FED. AID PROJECT				