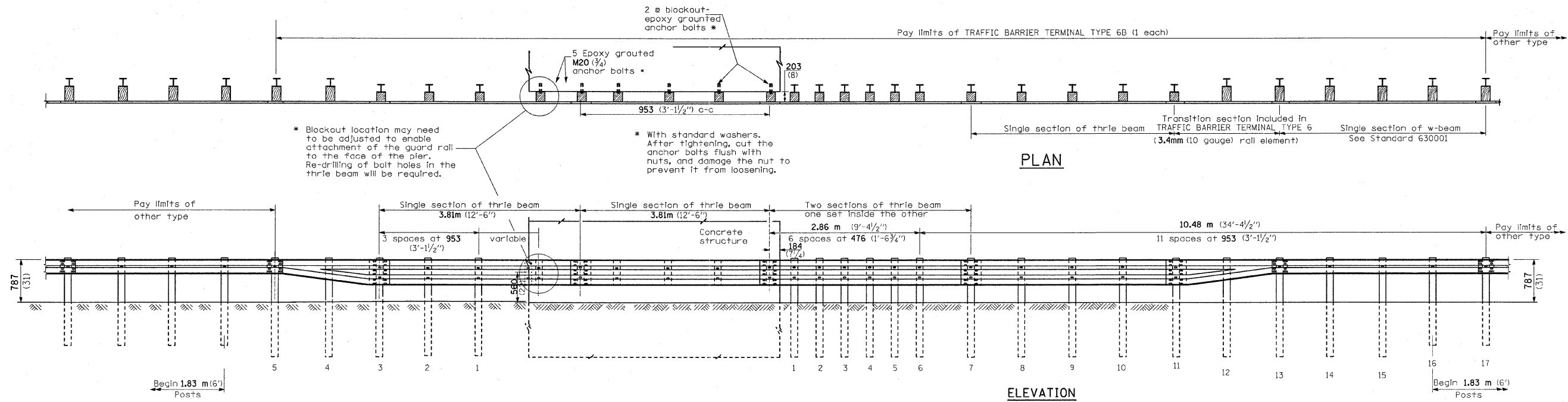
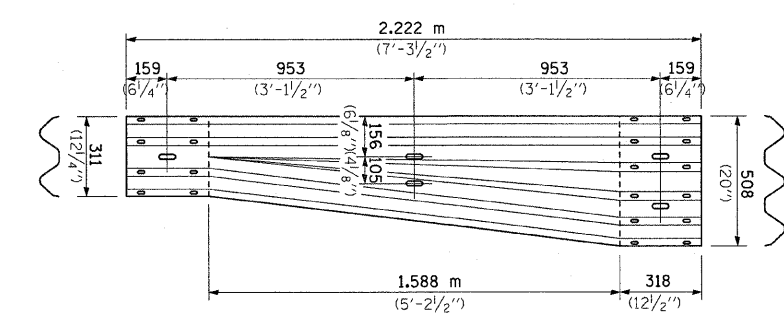
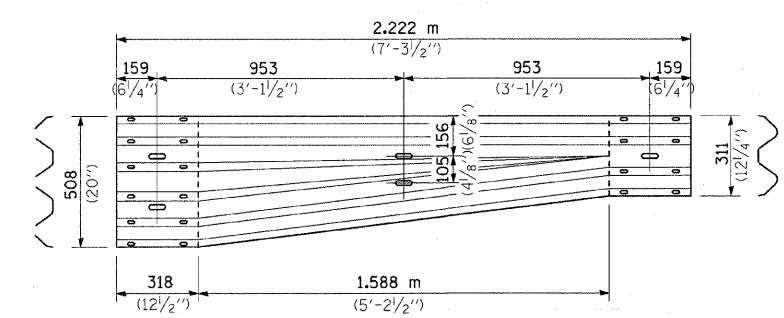
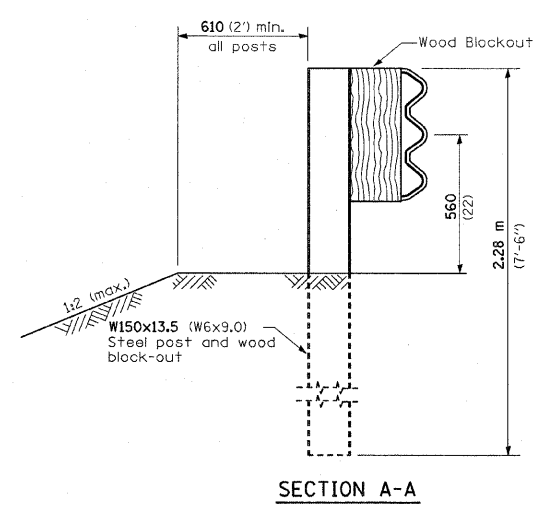


TRAFFIC BARRIER TERMINAL, TYPE 6B (SPECIAL)



* Blockout location may need to be adjusted to enable attachment of the guard rail to the face of the pier. Re-drilling of bolt holes in the thrie beam will be required.

* With standard washers. After tightening, cut the anchor bolts flush with nuts, and damage the nut to prevent it from loosening.



GENERAL NOTES

See Standard 630001 for details of guardrail not shown.

Thrie beam rail shall be bolted to block-out at all posts.

All slope ratios are expressed as units of vertical displacement to units of horizontal displacement (V/H).

All dimensions are in millimeters (inches) unless otherwise shown.

FILE NAME =	USER NAME = swartzrw	DESIGNED - JLD	REVISED -	STATE OF ILLINOIS DEPARTMENT OF TRANSPORTATION	TRAFFIC BARRIER TERMINAL TYPE 6B (SPECIAL)	F.A.I. RTE.	SECTION	COUNTY	TOTAL SHEETS	SHEET NO.	
560-sh-t-details.dgn		DRAWN - JLD	REVISED -			57	15(22,23,24,25,26)RS-4	COLES	48	48	
PLOT SCALE = 50.0000''/in.		CHECKED -	REVISED -			CONTRACT NO. 74560					
PLOT DATE = 1/31/2012		DATE -	REVISED -			ILLINOIS FED. AID PROJECT					
						SCALE: NA		SHEET NO. 5 OF 5 SHEETS		STA. TO STA.	