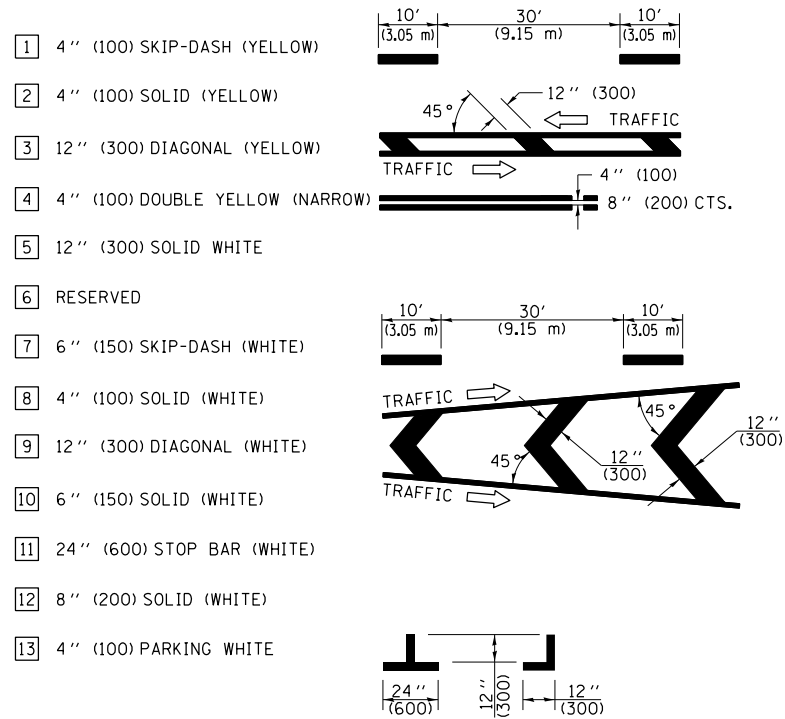


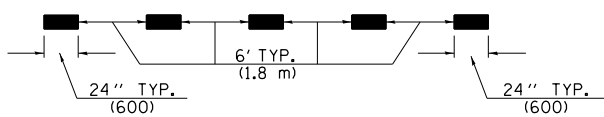
- \* REDUCE TO 40 FEET (12.2 METERS) SPACING ON CURVES WHERE ADVISORY SPEEDS ARE 10 MPH (15 km/h) LOWER THAN POSTED SPEEDS.
- \*\* DOUBLE LANE LINE MARKERS SHALL BE SPECIFIED AND SPACED AS SHOWN IN HIGHWAY STANDARD 781001 FOR MULTI-LANE DIVIDED AND UNDIVIDED HIGHWAYS.

**PAVEMENT MARKING LEGEND**

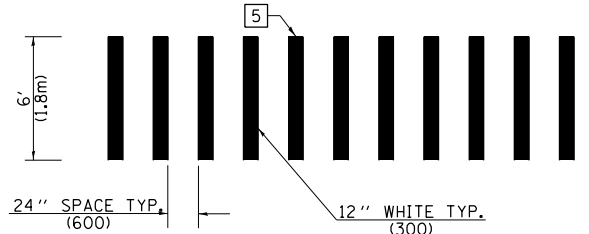


**GENERAL NOTES**

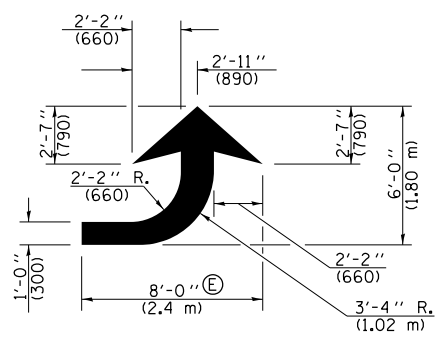
1. TURN ARROW PAIRS SHALL BE PLACED AT 250' (75 m) INTERVALS AND SHALL BE EVENLY SPACED BETWEEN BOTH ENDS OF THE BIDIRECTIONAL LEFT TURN LANE. USE A MINIMUM OF TWO PAIRS PER BLOCK.
2. THE SOLID YELLOW PAVEMENT MARKINGS [2] SHOULD GENERALLY START OR END NEAR THE RADIUS POINT OF EACH STREET RETURN EXCEPT WHERE ONE OR BOTH ENDS WOULD INCLUDE STOP BARS.
3. THE SKIP-DASH PAVEMENT MARKINGS [1] OR [7] SHOULD BE CENTERED BETWEEN BOTH ENDS OF EACH CITY BLOCK AND SHALL BE PLACED SO THEY LINE UP ACROSS FROM EACH OTHER.
4. USE LARGE ARROW SIZE FOR BOTH RURAL AND URBAN LOCATIONS. (SEE LAST PAGE OF SECTION 780x FOR SYMBOLS TABLE)
5. LANE LINE EXTENSIONS SHALL BE THE SAME COLOR AND WIDTH AS THE LANE LINE BEING EXTENDED.



**LANE LINE EXTENSIONS**

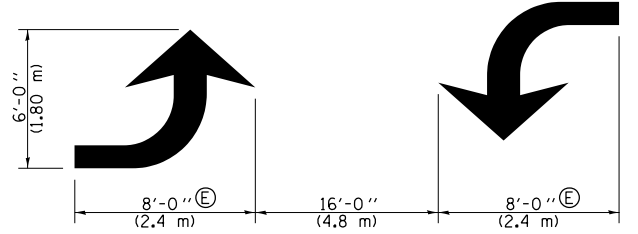


**CROSSWALK DETAIL (DECATUR CITY LIMITS ONLY)**



**LEFT ARROW**

REVERSE FOR RIGHT ARROW  
AREA = 15.6 SQ. FT. (1.47 m<sup>2</sup>)  
(WHITE)



**TYPICAL DOUBLE TURN ARROWS (WHITE)**

NOT TO SCALE  
Note: All dimensions are in INCHES (millimeters) unless otherwise shown.

**DISTRICT 7 DETAIL NO. 7800001**

FILE NAME =	USER NAME = steffenmk	DESIGNED -	REVISED -
ei:\pw\work\p\idot\steffenmk\d0289124\074566-sh1-details.dgn		DRAWN -	REVISED -
	PLOT SCALE = 100.0000' / 1in.	CHECKED -	REVISED -
	PLOT DATE = 1/27/2012	DATE -	REVISED -

**STATE OF ILLINOIS  
DEPARTMENT OF TRANSPORTATION**

**PAVEMENT MARKING AND RAISED REFLECTIVE PAVEMENT MARKERS  
(RURAL & URBAN APPLICATIONS)**

SCALE: NA	SHEET NO. 2 OF 4 SHEETS	STA. TO STA.
-----------	-------------------------	--------------

F.A.P. RTE.	SECTION	COUNTY	TOTAL SHEETS	SHEET NO.
828	12RS-1	Effingham	37	28
CONTRACT NO. 74566			ILLINOIS FED. AID PROJECT	