

\* Center of horizontal to center of splice dimension may vary. Verify before drilling holes in mounting tube.

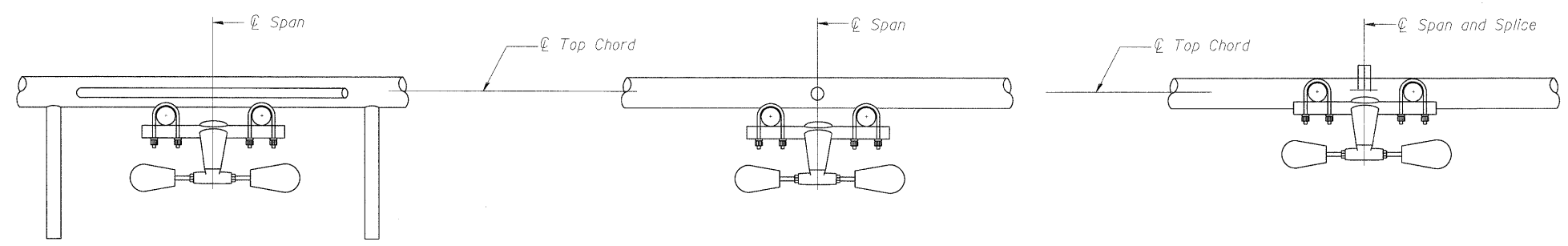
**PLAN DETAIL "A"**  
 ☉ Span between Panel Points

**PLAN DETAIL "B"**  
 ☉ Span at Panel Point

**PLAN DETAIL "C"**  
 ☉ Span at ☉ Chord Splice

**NOTES**

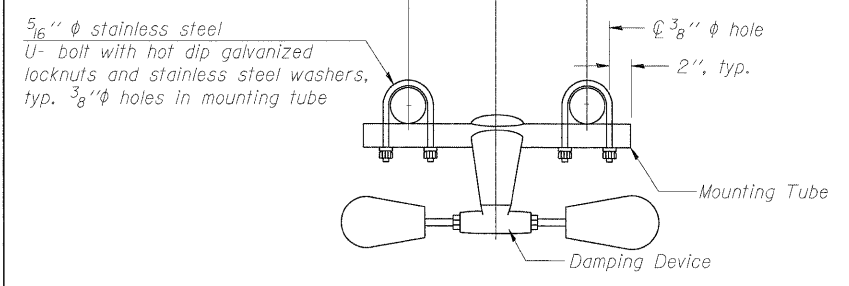
- Damper:** One damper per truss. (31 lbs. minimum Stockbridge-Type Aluminum - 29" minimum between ends of weights) Cost included in Overhead Sign Structure...
- Materials:** Materials: Aluminum tubes shall be ASTM B221 alloy 6061 temper T6. Cost included in Overhead Sign Structure...



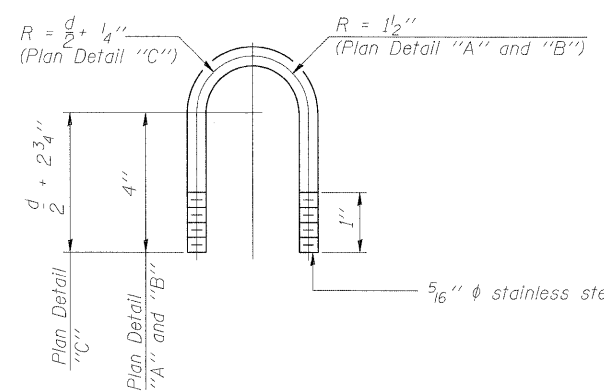
**SECTION A-A**

**SECTION B-B**

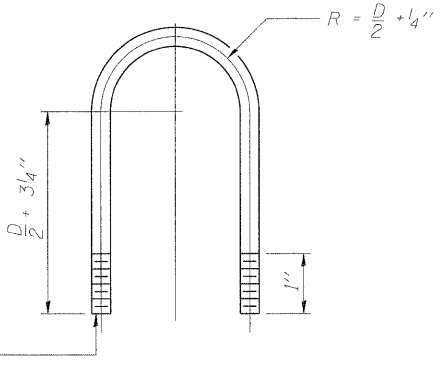
**SECTION C-C**



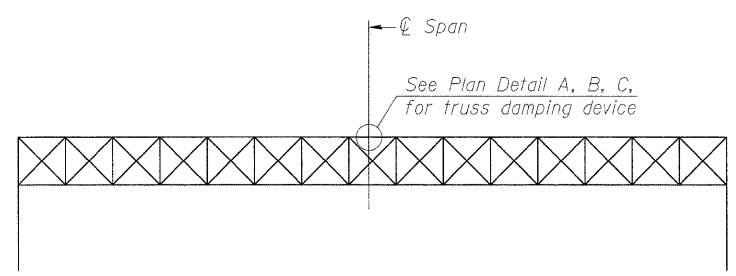
**TRUSS DAMPING DEVICE CONNECTION DETAIL**  
 (Typical)



**DAMPING DEVICE MOUNTING TUBE U-BOLT DETAIL**  
 (Typical)



**TOP CHORD TO CROSS TUBE U-BOLT DETAIL**  
 (Typical - Detail "A" and "B")



**ELEVATION**  
 Aluminum Overhead Sign Truss

OS-A-D

7-1-10

FILE NAME =	USER NAME =	DESIGNED - PMK	REVISED -
		CHECKED - MPW	REVISED -
		DRAWN - PMK	REVISED -
		CHECKED - MPW	REVISED -

**STATE OF ILLINOIS**  
**DEPARTMENT OF TRANSPORTATION**

**OVERHEAD SIGN STRUCTURE**  
**DAMPING DEVICE**

SHEET NO. 5 OF 16 SHEETS

F.A.I. RTE.	SECTION	COUNTY	TOTAL SHEETS	SHEET NO.
*	B2-15G	ST. CLAIR	145	91
*998/70/64			CONTRACT NO. 76C45	
ILLINOIS FED. AID PROJECT				