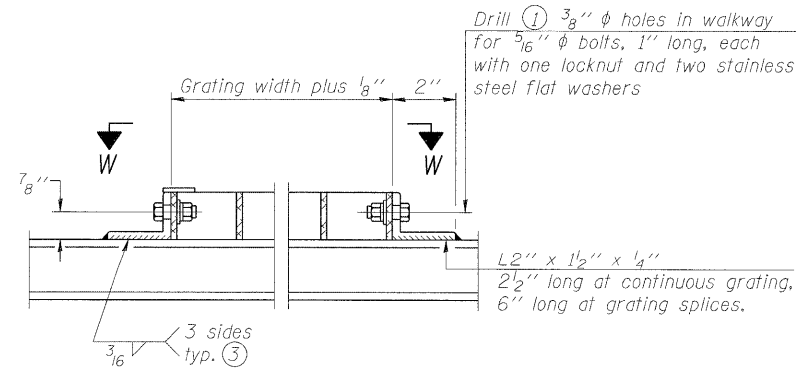
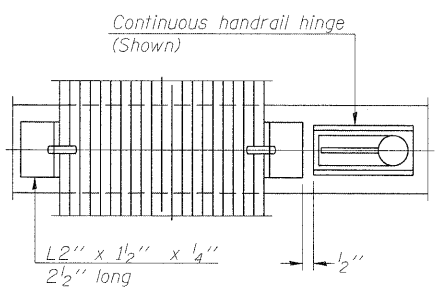
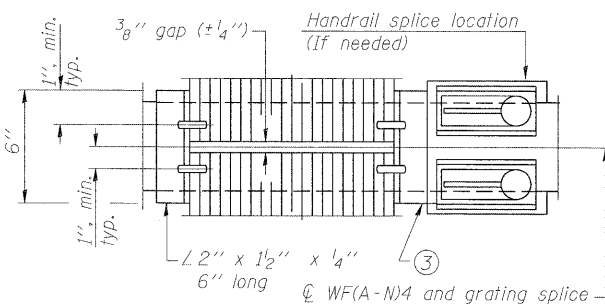


Details not shown same as Detail T. Alternate materials may be used subject to the Engineer's review and approval.



SPECIFICATIONS FOR STANDARD ALUMINUM GRATING

Main Bearing Bars shall be 3/16" x 1/2" on 1 3/16" centers and conform to ASTM B221 Alloy 6061-T6.
 Cross bars shall be 3/16" x 1/2" on 4" centers and conform to ASTM B221 Alloy 6063-T5 or 6061-T6.

OR

Aluminum Grating with modified "I" sections for main bearing bars shall meet the following requirements:
 Main bars shall conform to ASTM B221 Alloy 6061-T6 and have a minimum section modulus equal to 0.0705 in.³ per bar, a depth of 1 1/2", spaced on 1 3/16" centers.
 Cross bars shall conform to ASTM B221 Alloy 6063-T5 or T-42 and spaced on 4" centers.

Structure Number	Station	A	⑥ B	C	⑥ D
8S0821055L002.0	13+35.55	6"	7'-10 1/2"	5'-3"	13'-7 1/2"
8S0821064L003.6	77+03.00	7 1/2"	7'-6"	7'-0"	15'-0"
8S0821064L004.4	MM 4.5	9"	8'-6"	7'-0"	16'-0"
8S0821055L003.6	MM 3.6	7 1/2"	6'-6"	7'-0"	14'-0"
8S0821055R003.6	MM 3.6	7 1/2"	5'-3"	7'-0"	12'-9"
8S0821055L005.0	MM 5.0	6"	6'-6"	4'-6"	11'-6"

- Drilling holes in grating may be done in shop or field, based on Contractor's preference and subject to accurate alignment.
- Stainless steel shims shall be placed as shown in Detail T if needed to compensate for alignment variations between horizontal and diagonal pipes beyond adjustment provided by angles. Thicker shims may be used subject to shims performing properly.
- If Handrail Joint present, weld angle to WF(A-N)4 and 1/4" extension bars. (See Base Sheet OS-A-11.)
- R 1/8" x 1/2" x 2" welded to handrail posts to protect locations that contact grating.
- Tube to grating gap may vary from 0 to 1/2", max. to align walkway, allow for camber, etc.
- Based on actual height of tallest sign given on OS-A-1.

OS-A-10

7-1-10

FILE NAME =	USER NAME =	DESIGNED - PMK	REVISED -
		CHECKED - MPW	REVISED -
PLOT SCALE =		DRAWN - PMK	REVISED -
PLOT DATE =		CHECKED - MPW	REVISED -

STATE OF ILLINOIS
DEPARTMENT OF TRANSPORTATION

OVERHEAD SIGN STRUCTURES
ALUMINUM WALKWAY DETAILS

SHEET NO. 12 OF 16 SHEETS

F.A.I. RTE.	SECTION	COUNTY	TOTAL SHEETS	SHEET NO.
	B2-1SG	ST. CLAIR	145	98
	•998/70/64			CONTRACT NO. 76C45
ILLINOIS FED. AID PROJECT				