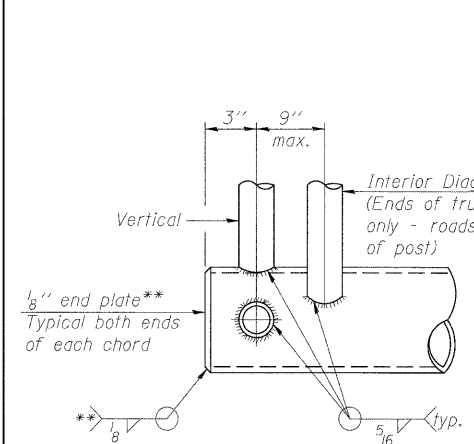
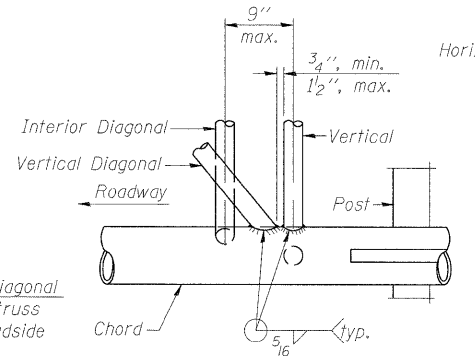


TYPICAL TRUSS UNIT
 For Section B-B and Section C-C, see Base Sheet OSC-A-3.

Note:
 There are twice as many horizontal diagonals as there are vertical diagonals.



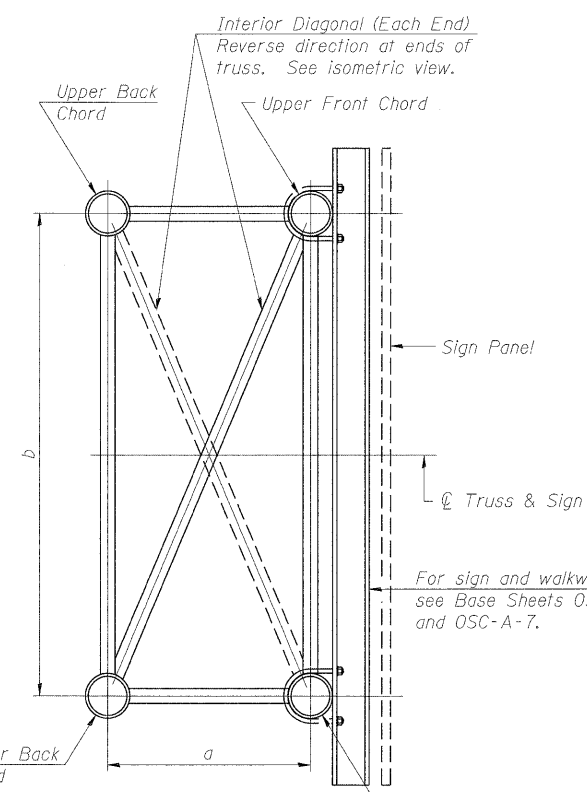
CANTILEVER END JOINT DETAIL
 ** Contractor may alternatively use standard aluminum drive-fit cap to close ends.



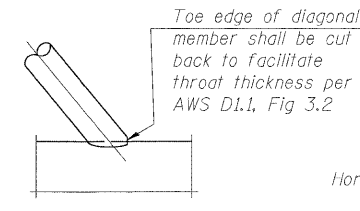
POST END JOINT DETAIL

SHOP CAMBER TABLE

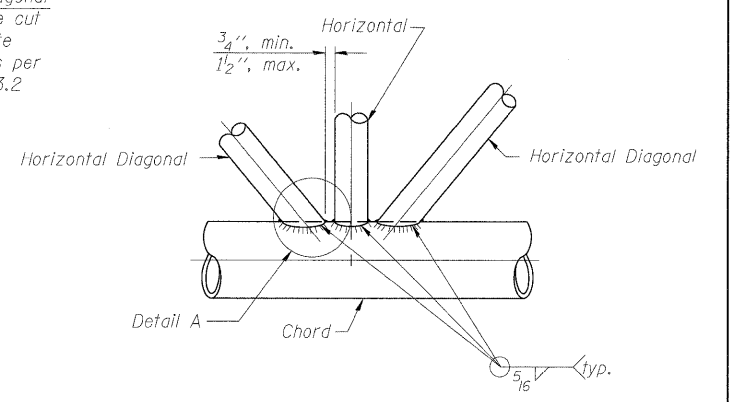
Unit Length (L)	Shop Camber at End
15'	1 1/2"
16'-17'	1 3/4"
18'-20'	2"
21'-22'	2 1/4"
23'-25'	2 1/2"
26'-27'	2 3/4"
28'-30'	3"
31'-32'	3 1/4"
33'-35'	3 1/2"
36'-37'	4"
38'-40'	4 1/2"



SECTION A-A

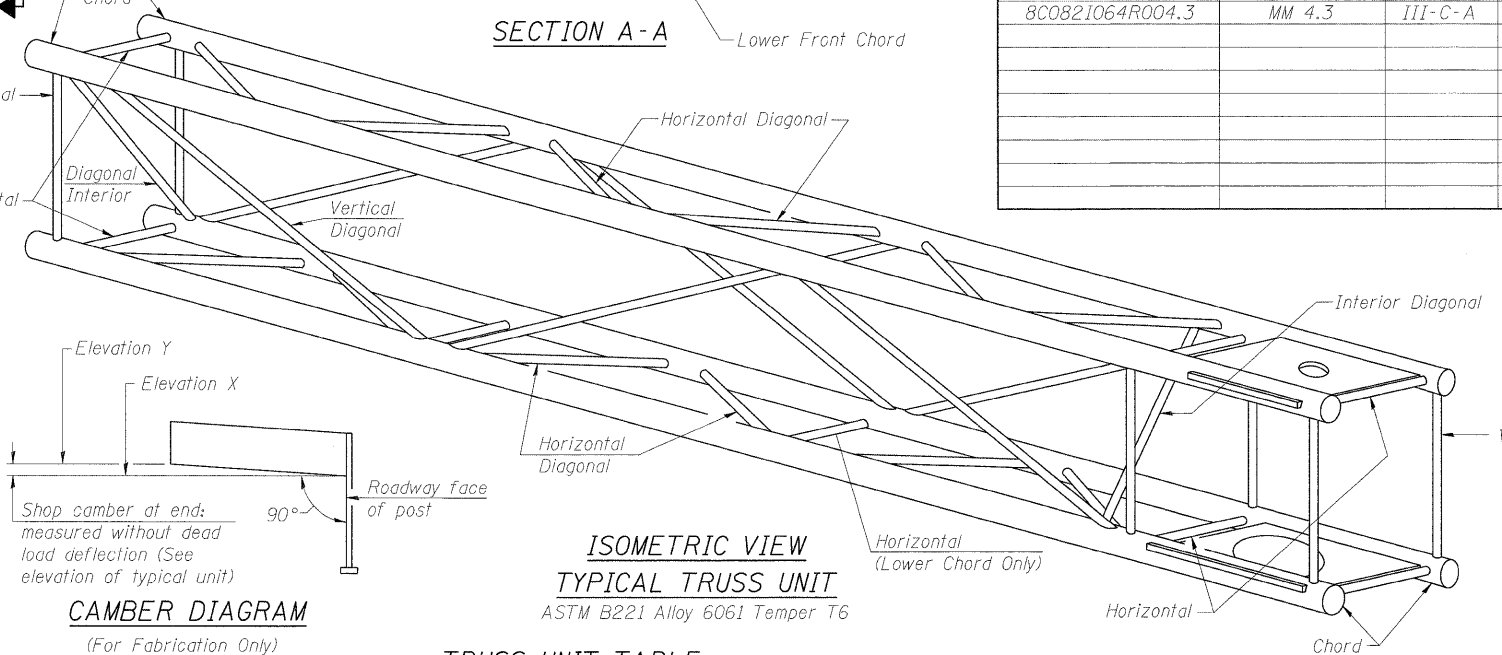


DETAIL A



TRUSS INTERIOR JOINT DETAIL

Structure Number	Station	Truss Type	Design Length (L)	Number of Panels Per Unit	Panel Length (P)*
8C0821070R002.6	75+44.55	III-C-A	31'-0"	6	4'-10"
8C0821070R002.7	68+00.00	II-C-A	27'-6"	6	4'-3"
8C0821064L003.9	68+98.98	I-C-A	24'-1"	6	3'-9"
8C0821064R004.3	MM 4.3	III-C-A	30'-0"	6	4'-8"



ISOMETRIC VIEW TYPICAL TRUSS UNIT
 ASTM B221 Alloy 6061 Temper T6

CAMBER DIAGRAM
 (For Fabrication Only)

TRUSS UNIT TABLE

Truss Type	Dimension "a"	Dimension "b"	Dimension "s"	Limits for Panel Spacing (P)*	Up. & Low. Chord			Verticals; Horizontals; Vertical, Horizontal, and Interior Diagonals		
					O.D.	Wall	O.D.	O.D.	Wall	
I-C-A	24"	54"	16"	36" min. to 48" max.	5"	5/16"	2 1/2"	5/16"	5/16"	
II-C-A	36"	66"	21"	42" min. to 54" max.	6 1/2"	5/16"	3 1/4"	5/16"	5/16"	
III-C-A (35' Max.)	36"	84"	21"	48" min. to 66" max.	7"	3/8"	3 1/2"	3/8"	3/8"	
III-C-A (>35' to 40')	36"	84"	21"	48" min. to 66" max.	8"	3/8"	3 1/2"	3/8"	3/8"	

*P = $\frac{L-s-3"}{\# \text{ Panels}}$

NUMBER	REVISION	DATE

OSC-A-2

12-1-08

FILE NAME =	USER NAME =	DESIGNED - PMK	REVISED -
		CHECKED - MPW	REVISED -
		DRAWN - PMK	REVISED -
		CHECKED - MPW	REVISED -

STATE OF ILLINOIS
 DEPARTMENT OF TRANSPORTATION

CANTILEVER SIGN STRUCTURES
 TRUSS DETAILS

SHEET NO. 2 OF 12 SHEETS

F.A.I. RTE.	SECTION	COUNTY	TOTAL SHEETS	SHEET NO.
*	82-15G	ST. CLAIR	145	104
*998/70/64		CONTRACT NO. 76C45		
ILLINOIS FED. AID PROJECT				