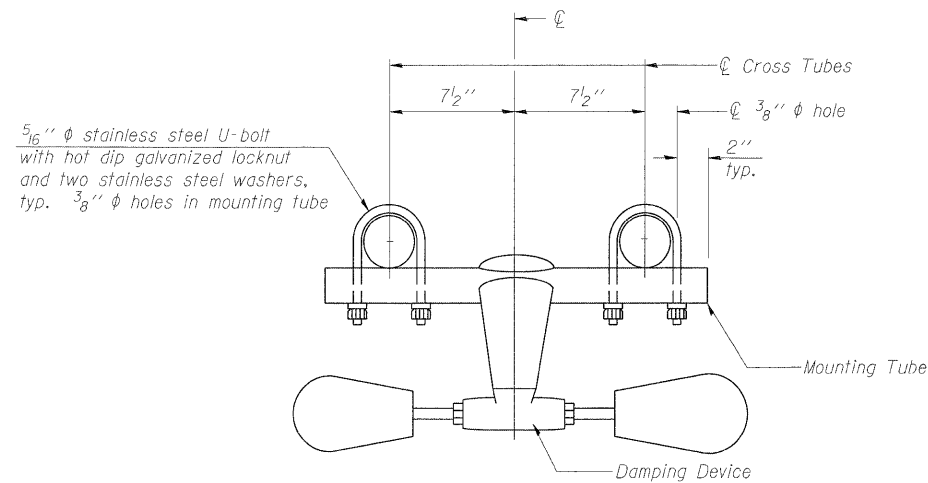
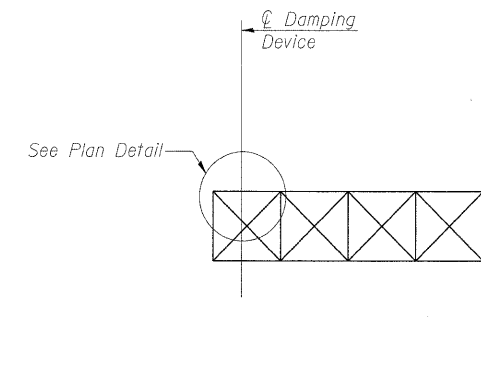


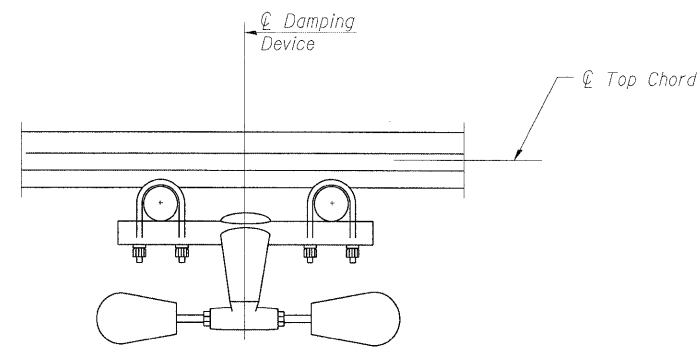
PLAN DETAIL



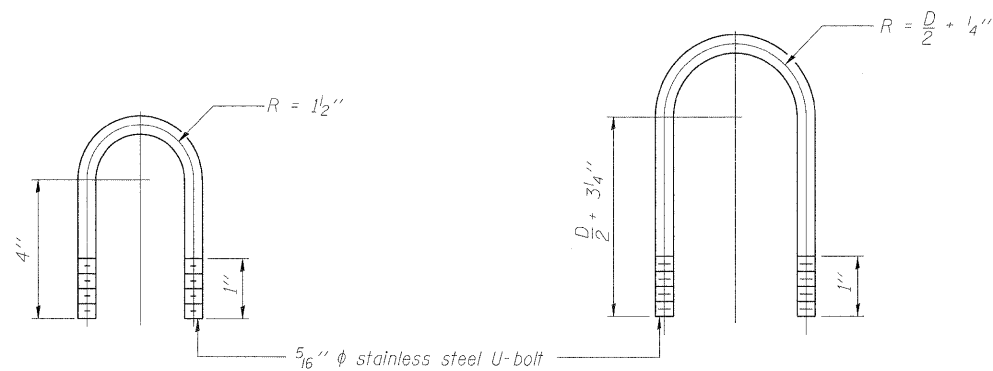
TRUSS DAMPING DEVICE CONNECTION DETAIL



ELEVATION
Aluminum Cantilever Sign Structure



SECTION A-A



DAMPING DEVICE MOUNTING TUBE U-BOLT DETAIL
(Typical)

TOP CHORD TO CROSS TUBE U-BOLT DETAIL
(Typical)

GENERAL NOTES

- Damper: One damper per truss. (31 lbs. Stockbridge-Type Aluminum-29" minimum between ends of weights)
- Materials: Aluminum tubes shall be ASTM B221 alloy 6061 temper T6

OSC-A-D

12-1-08

FILE NAME =	USER NAME =	DESIGNED - PMK	REVISED -
		CHECKED - MPW	REVISED -
PLOT SCALE =		DRAWN - PMK	REVISED -
PLOT DATE =		CHECKED - MPW	REVISED -

STATE OF ILLINOIS
DEPARTMENT OF TRANSPORTATION

CANTILEVER SIGN STRUCTURE
DAMPING DEVICE

SHEET NO. 3 OF 12 SHEETS

F.A.I. RTE.	SECTION	COUNTY	TOTAL SHEETS	SHEET NO.
•	82-15G	ST. CLAIR	145	105
•998/70/64			CONTRACT NO. 76C45	
ILLINOIS FED. AID PROJECT				