

**EAST ABUTMENT
BILL OF MATERIAL**

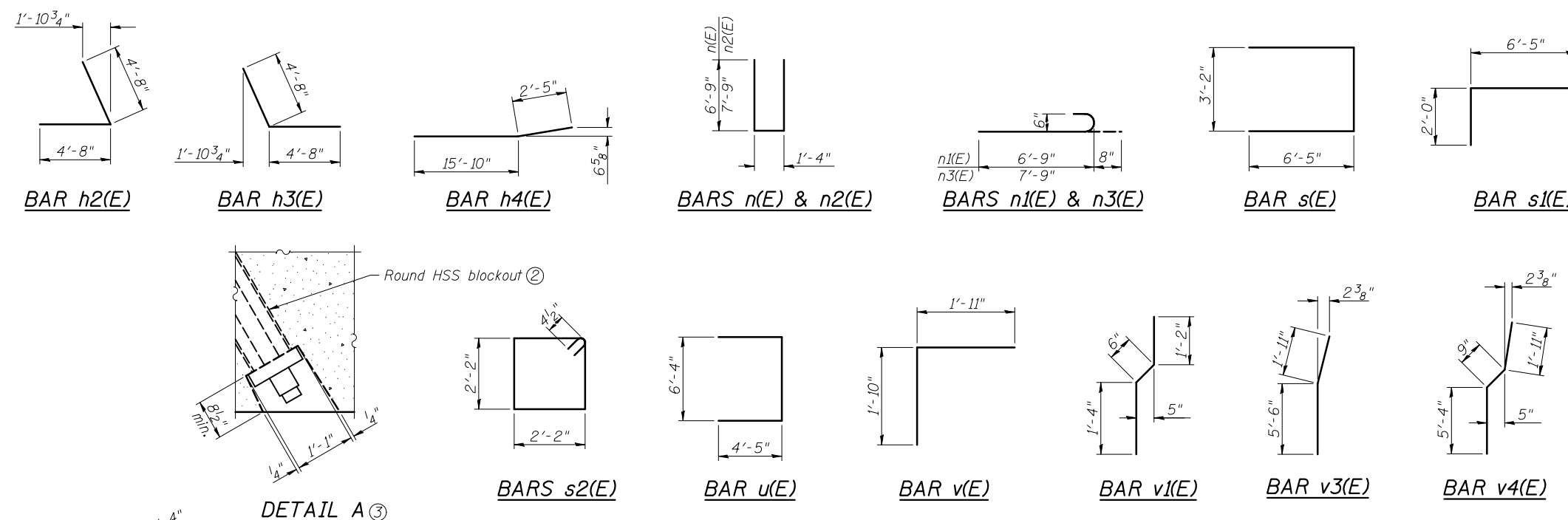
Bar	No.	Size	Length	Shape
h(E)	10	#5	43'-5"	—
h1(E)	5	#6	47'-0"	—
h2(E)	14	#5	9'-4"	L
h3(E)	14	#5	9'-4"	J
h4(E)	16	#4	18'-3"	—
h5(E)	12	#4	17'-5"	—
h6(E)	12	#4	18'-9"	—
n(E)	16	#6	14'-10"	—
n1(E)	6	#6	7'-5"	—
n2(E)	16	#6	16'-10"	—
n3(E)	6	#6	8'-5"	—
p(E)	40	#7	28'-3"	—
p1(E)	7	#4	18'-3"	—
p2(E)	7	#4	16'-7"	—
p3(E)	12	#7	20'-0"	—
s(E)	152	#4	16'-0"	—
s1(E)	34	#4	10'-5"	—
s2(E)	56	#4	9'-5"	—
u(E)	9	#6	15'-2"	—
v(E)	59	#5	3'-9"	—
v1(E)	44	#4	3'-0"	—
v2(E)	38	#6	7'-6"	—
v3(E)	6	#6	7'-5"	—
v4(E)	32	#6	8'-0"	—
v5(E)	44	#5	6'-0"	—
v6(E)	44	#5	7'-4"	—
Structure Excavation		Cu. Yd.	335	
Concrete Structures		Cu. Yd.	84.9	
Concrete Encasement		Cu. Yd.	9.3	
Reinforcement Bars, Epoxy Coated		Pound	9,660	
Furnishing Steel Piles HP14x89		Foot	1,504	
Driving Piles		Foot	1,504	
Test Pile Steel HP14x89		Each	1	
Concrete Sealer		Sq. Ft.	508	

PILE DATA

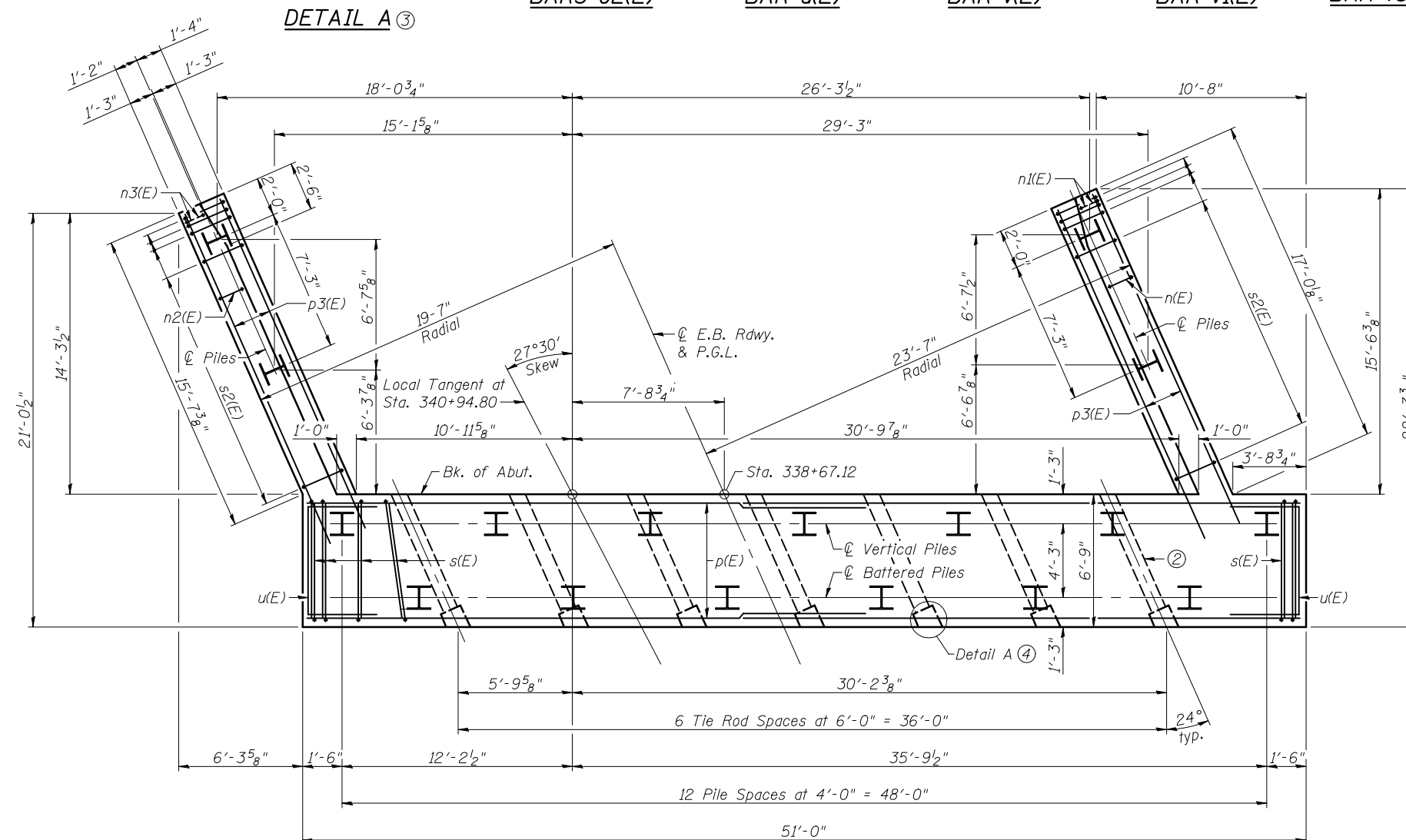
Type: Steel HP 14x89
 Nominal Required Bearing: 705 kips
 Factored Resistance Available: 390 kips
 Est. Length: 94 ft
 No. Production Piles: 16
 No. Test Piles: 1

Notes:

- For details of piles and Concrete Encasement, see sheet 46 of 53.
- Round HSS9.625x0.188 conforming to the requirements of ASTM A500 Grade B cast into cap for Tie Rod blockouts. Cost included with Concrete Structures. Adjust location as necessary to miss anchor bolts and adjust corresponding approach bent location.
- For details of Tie Rod, see sheet 39 of 53.
- Cut piles as necessary to provide clearance for blockouts.



DETAIL A ③



PLAN-PILE CAP

