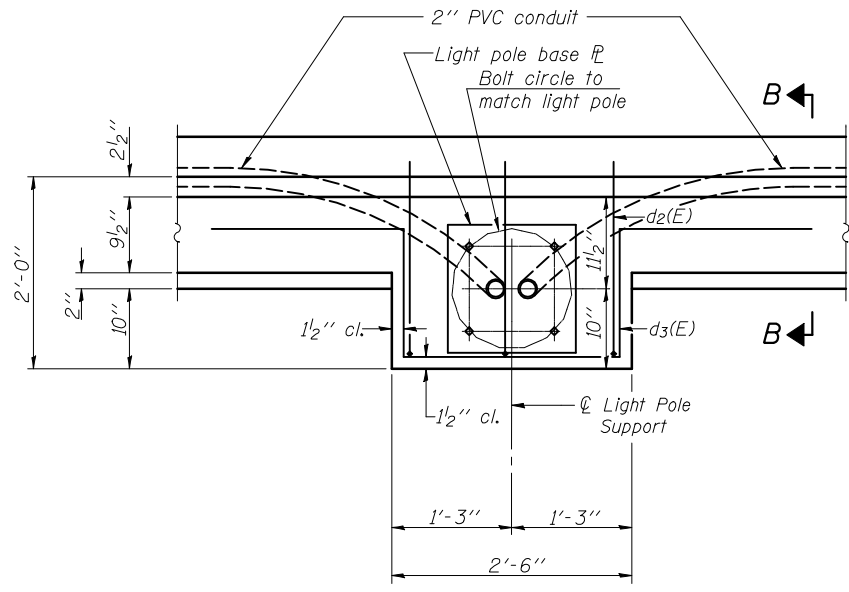


NEAR PIER

NEAR MIDSPAN

CROSS SECTION
(Looking West)

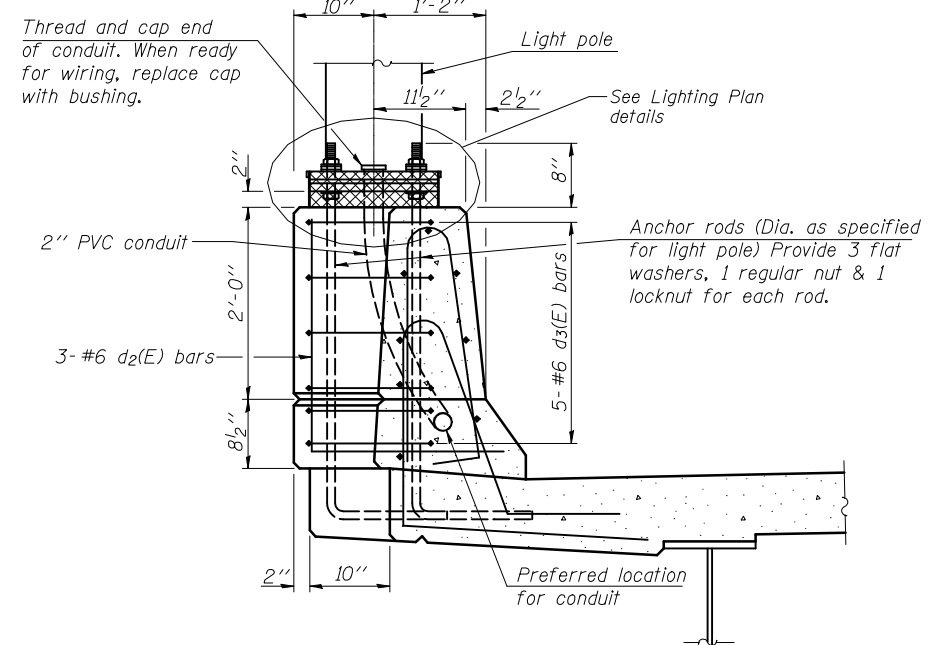
*Conduit shall have a minimum clearance of 1/2" from all reinforcement



PLAN

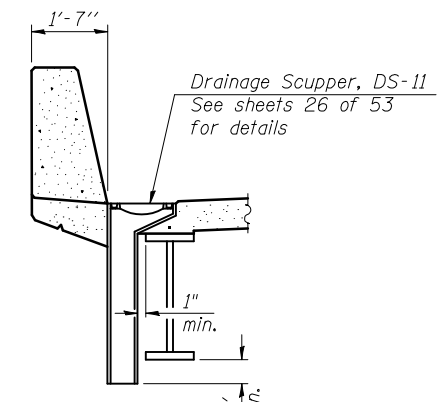
Note:
Cost of anchor rods is included with Concrete Superstructure.
Conduit is paid for as Conduit Embedded in Structure, 2" PVC.
See Lighting Plan.

LIGHT POLE DETAIL
(at south parapet)

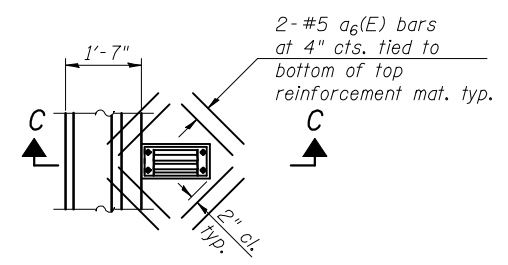


SECTION B-B
(three locations)

See Lighting Plan Details for dimensions and requirements not shown.

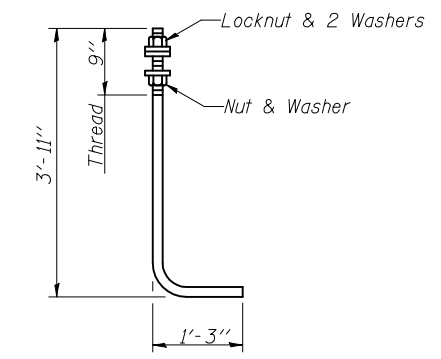


SECTION C-C
(At SE and SW Corners)



PLAN AT DRAINAGE SCUPPER

Note:
Cut longitudinal reinforcement to clear drainage scuppers.



ANCHOR ROD
Diameter as specified for light poles.
(ASTM F 1554 Grade 105)

FILE NAME =	USER NAME = \$USER*
\$FILEL\$	
CB PROJECT NO. 08024-2	

DESIGNED - GB	REVISD -
CHECKED - MCB	REVISD -
DRAWN - MML	REVISD -
CHECKED - MCB	REVISD -

DESIGNED - GB	REVISD -
CHECKED - MCB	REVISD -
DRAWN - MML	REVISD -
CHECKED - MCB	REVISD -

STATE OF ILLINOIS
DEPARTMENT OF TRANSPORTATION

SUPERSTRUCTURE DETAILS
STRUCTURE NO. 039-0076 (WB)

SHEET NO. 15 OF 53 SHEETS

CB Coombe-Bloxdorf P.C.
- CIVIL ENGINEERS -
- STRUCTURAL ENGINEERS -
- LAND SURVEYORS -
Design Firm License No. 184-002703

F.A.P. RTE.	SECTION	COUNTY	TOTAL SHEETS	SHEET NO.
331	(12-1)B-1	JACKSON	200	127
			CONTRACT NO. 78056	

ILLINOIS FED. AID PROJECT