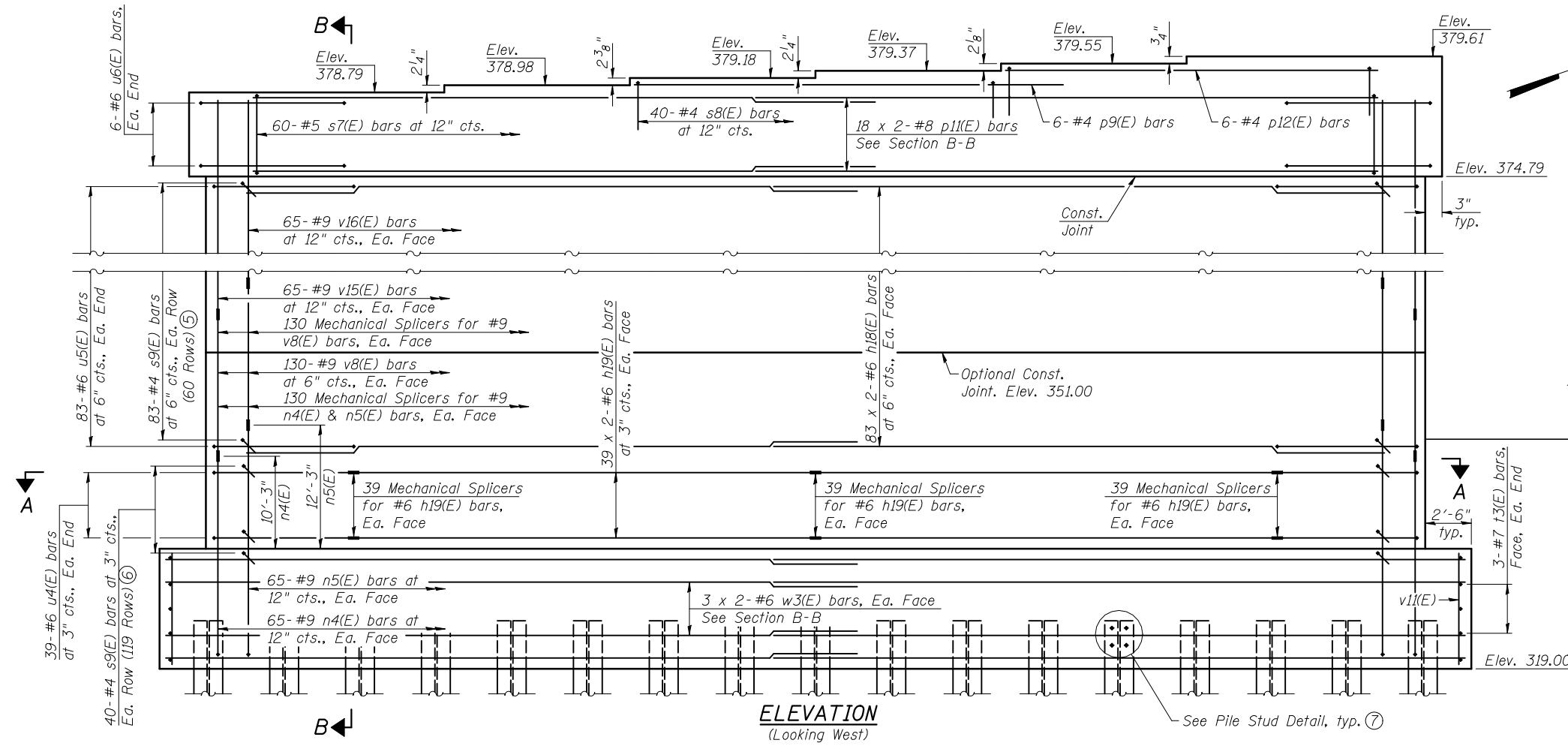


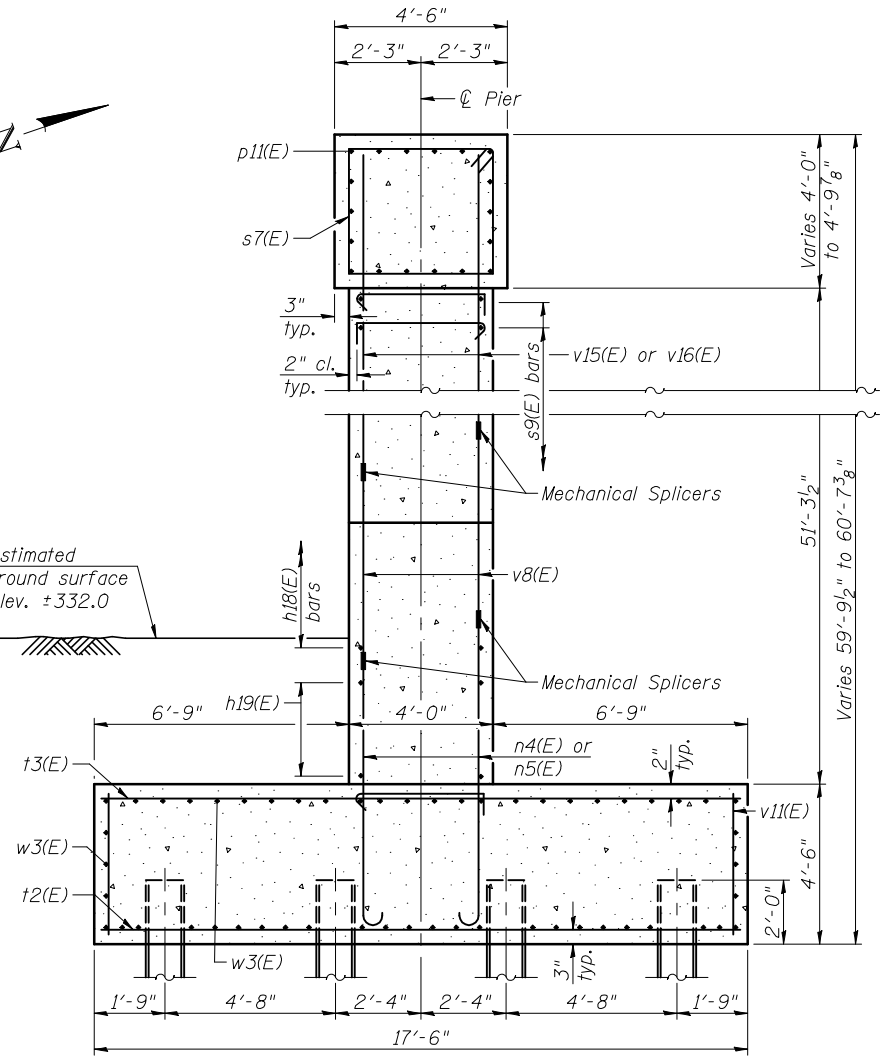
**TOP PLAN**

**MIN. BAR LAP**  
 #8 bar = 7'-8"  
 #6 bar = 4'-5"

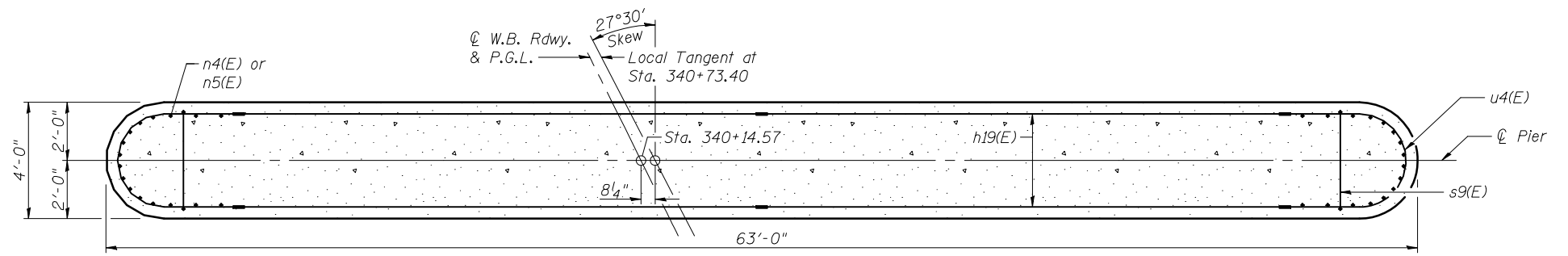
- Notes:
- ① Pour steps monolithically with cap.
  - ② For details of Mechanical Splicers, see sheet 48 of 53.
  - ③ For details of Cofferdam (Type 2), see sheet 4 of 53.
  - ④ Space reinforcement in cap to miss anchor bolts.
  - ⑤ Space s9(E) bars horizontally with each v8(E) & v15(E) or v8(E) & v16(E) bar and vertically with h18(E) bars. Alternate s9(E) bars end for end as shown in Section B-B.
  - ⑥ Space s9(E) bars horizontally with each n4(E) & n5(E) bar and vertically with h19(E) bars. Alternate s9(E) bars end for end as shown in Section B-B. Total includes one row of bars in top of footing.
  - ⑦ For Bill of Materials, Bar Details, Pile Stud Detail, Footing Plan, and footing reinforcement, see sheet 43 of 53.
  - ⑧ Bars indicated thus 18 x 2-#8 etc. indicates 18 lines of bars with 2 lengths per line.



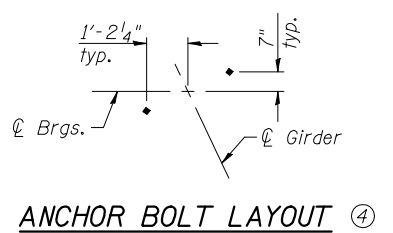
**ELEVATION**  
(Looking West)



**SECTION B-B**



**SECTION A-A**



**ANCHOR BOLT LAYOUT ④**



USER NAME =	DESIGNED - JAD	REVISED -
PLOT SCALE =	CHECKED - DGL	REVISED -
PLOT DATE =	DRAWN - JAD	REVISED -
	CHECKED - MAG	REVISED -

**STATE OF ILLINOIS**  
**DEPARTMENT OF TRANSPORTATION**

**PIER 2 DETAILS**  
**STRUCTURE NO. 039-0076 (W.B.)**  
 SHEET NO. 42 OF 53 SHEETS

F.A.P. RTE.	SECTION	COUNTY	TOTAL SHEETS	SHEET NO.
331	(12-11B-1)	JACKSON	200	154
CONTRACT NO. 78056				
ILLINOIS FED. AID PROJECT				