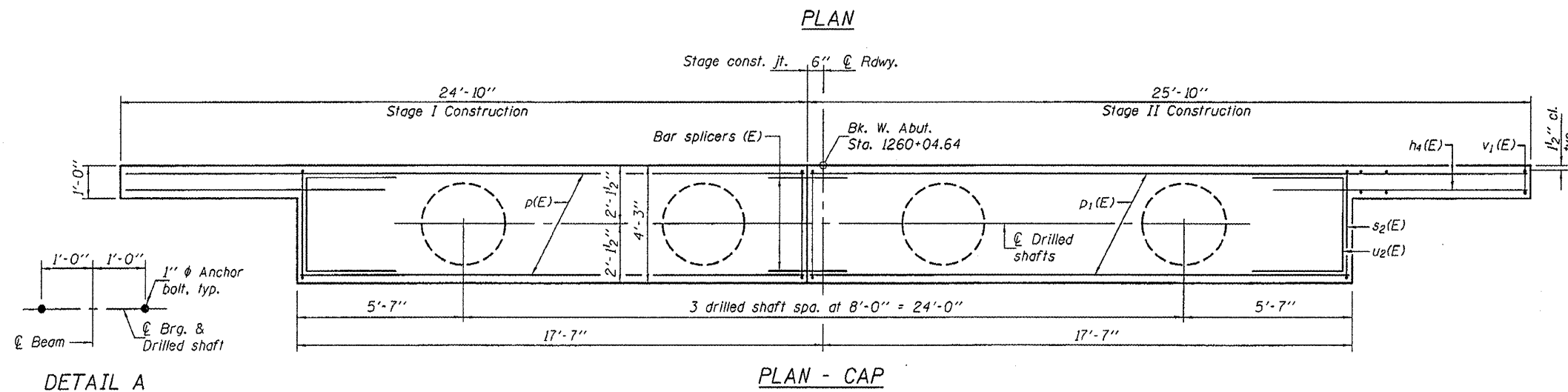
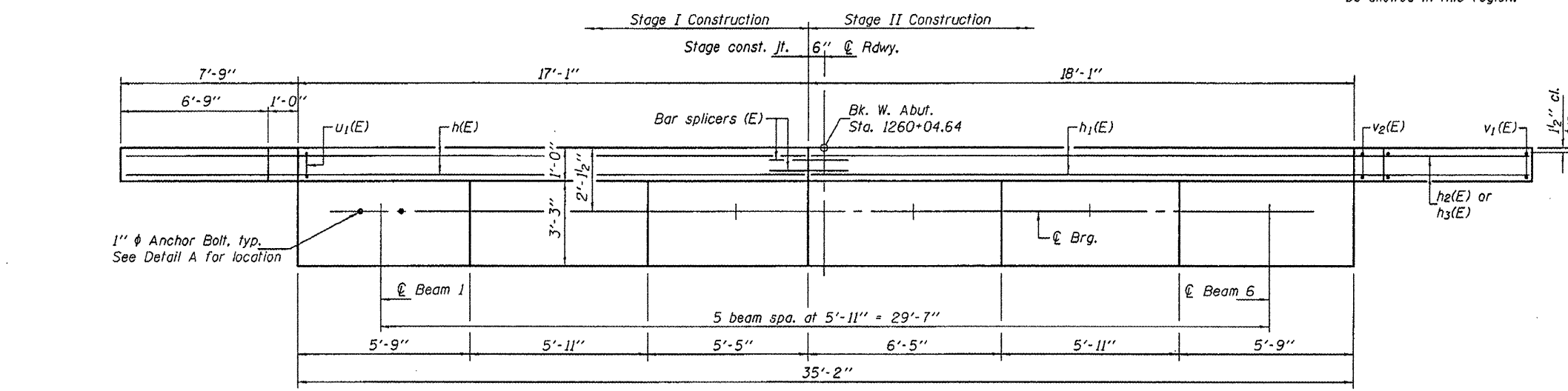


BILL OF MATERIAL

Bar	No.	Size	Length	Shape
h(E)	2	#4	24'-6"	—
h1(E)	2	#4	25'-6"	—
h2(E)	16	#5	7'-6"	—
h3(E)	4	#5	7'-10"	—
h4(E)	28	#5	9'-9"	—
p(E)	16	#7	16'-9"	—
p1(E)	16	#7	17'-9"	—
s2(E)	29	#5	15'-1"	□
sp(E)	4	#5	15'-10"	⋈
u1(E)	37	#5	2'-9"	—
u2(E)	8	#6	11'-6"	—
v1(E)	14	#5	11'-2"	—
v2(E)	4	#5	7'-3"	—
v3(E)	56	#8	17'-1"	—
Structure Excavation			Cu. Yd.	52
Concrete Structures			Cu. Yd.	23.7
Reinforcement Bars, Epoxy Coated			Pound	6780
Drilled Shaft in Soil			Cu. Yd.	5.8
Drilled Shaft in Rock			Cu. Yd.	10.5
Anchor Bolts, 1" φ			Each	12



DETAIL A

DESIGNED - Nicholas R. Barnett	EXAMINED - Thomas J. Domagalicki	DATE - MARCH 20, 2012
CHECKED - Michael D. Rolape	ENGINEER OF BRIDGE DESIGN	
DRAWN - h.t. duong	REVISOR	REVISED 4-16-2012, NRB
CHECKED - NRB/MDR	ENGINEER OF BRIDGES AND STRUCTURES	REVISED

STATE OF ILLINOIS	
DEPARTMENT OF TRANSPORTATION	
WEST ABUTMENT	STRUCTURE NO. 076-0031
SHEET NO. 19 OF 25 SHEETS	

F.A.P. R.E.	SECTION	COUNTY	TOTAL SHEETS	SHEET NO.
885	6B-2	POPE	51	36
CONTRACT NO. 78168			ILLINOIS FED. AID PROJECT	