

SOUTH CURB LINE

Location	Station	Offset	Theoretical Grade Elevations
East end of E. Appr. Slab	125773.22	-16.00	358.45
A	125783.22	-16.00	358.45
B	125793.22	-16.00	358.45
West end of E. Appr. Slab	125803.22	-16.00	358.45

SOUTH EDGE OF ROADWAY

Location	Station	Offset	Theoretical Grade Elevations
East end of E. Appr. Slab	125773.22	-12.00	358.53
A	125783.22	-12.00	358.53
B	125793.22	-12.00	358.53
West end of E. Appr. Slab	125803.22	-12.00	358.53

STAGE CONSTRUCTION JOINT

Location	Station	Offset	Theoretical Grade Elevations
East end of E. Appr. Slab	125773.22	-0.50	358.71
A	125783.22	-0.50	358.71
B	125793.22	-0.50	358.71
West end of E. Appr. Slab	125803.22	-0.50	358.71

☉ ROADWAY & PROFILE GRADE

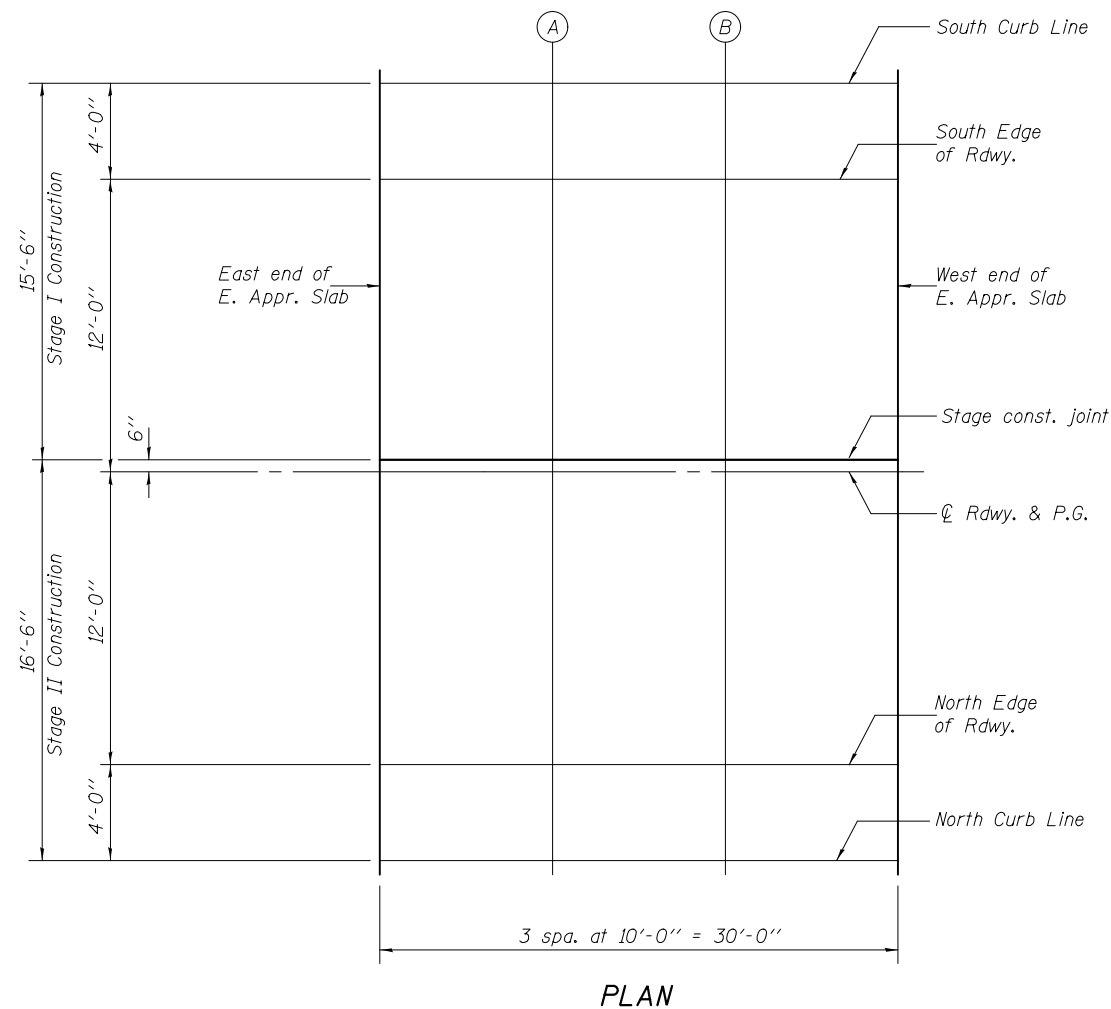
Location	Station	Offset	Theoretical Grade Elevations
East end of E. Appr. Slab	125773.22	0.00	358.72
A	125783.22	0.00	358.72
B	125793.22	0.00	358.72
West end of E. Appr. Slab	125803.22	0.00	358.72

NORTH EDGE OF ROADWAY

Location	Station	Offset	Theoretical Grade Elevations
East end of E. Appr. Slab	125773.22	12.00	358.53
A	125783.22	12.00	358.53
B	125793.22	12.00	358.53
West end of E. Appr. Slab	125803.22	12.00	358.53

NORTH CURB LINE

Location	Station	Offset	Theoretical Grade Elevations
East end of E. Appr. Slab	125773.22	16.00	358.45
A	125783.22	16.00	358.45
B	125793.22	16.00	358.45
West end of E. Appr. Slab	125803.22	16.00	358.45



DESIGNED - Nicholas R. Barnett	EXAMINED - <i>Thomas J. Domagalaki</i>	DATE - MARCH 20, 2012
CHECKED - Michael D. Rolape	PASSED - <i>Michael D. Rolape</i>	REVISOR
DRAWN - h.t. duong	ENGINEER OF BRIDGES AND STRUCTURES	REVISOR
CHECKED - NRB/MDR		

STATE OF ILLINOIS
DEPARTMENT OF TRANSPORTATION

TOP OF EAST APPROACH SLAB ELEVATIONS
STRUCTURE NO. 076-0031

F.A.P. RTE.	SECTION	COUNTY	TOTAL SHEETS	SHEET NO.
885	6B-2	POPE	51	25
CONTRACT NO. 78168				
ILLINOIS FED. AID PROJECT				

SHEET NO. 8 OF 25 SHEETS