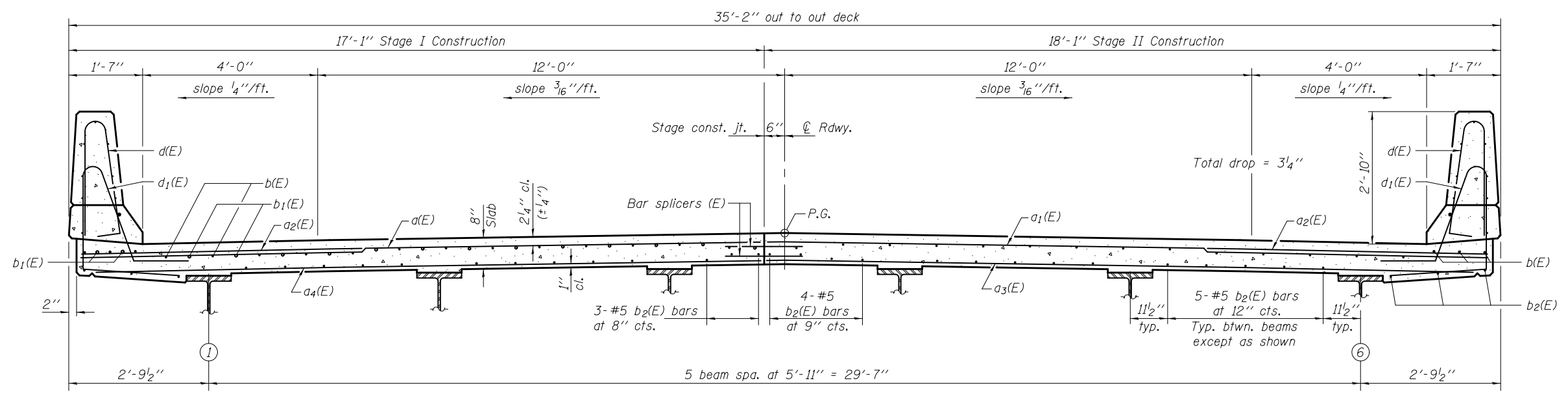


PLAN

MIN. BAR LAP
 #5 bar = 3'-3"

Notes:
 See sheet 11 of 25 for superstructure details and Bill of Material.
 Bars indicated thus 33 x 7-#5 etc. indicates 33 lines of bars with 7 lengths per line.
 See sheet 11 of 25 for parapet reinforcement.
 See sheet 12 of 25 for Section A-A.



CROSS SECTION
 (Looking west)

DESIGNED - Nicholas R. Barnett	EXAMINED - <i>Thomas Domagalak</i> ENGINEER OF BRIDGE DESIGN	DATE - MARCH 20, 2012	STATE OF ILLINOIS DEPARTMENT OF TRANSPORTATION	SUPERSTRUCTURE STRUCTURE NO. 076-0031	F.A.P. RTE. 885	SECTION 6B-2	COUNTY POPE	TOTAL SHEETS 51	SHEET NO. 27	
CHECKED - Michael D. Rolape	PASSED - <i>Carl P. ...</i> ENGINEER OF BRIDGES AND STRUCTURES	REVISED			CONTRACT NO. 78168					
DRAWN - h.t. duong		REVISED			ILLINOIS FED. AID PROJECT					
CHECKED - NRB/MDR					SHEET NO. 10 OF 25 SHEETS					