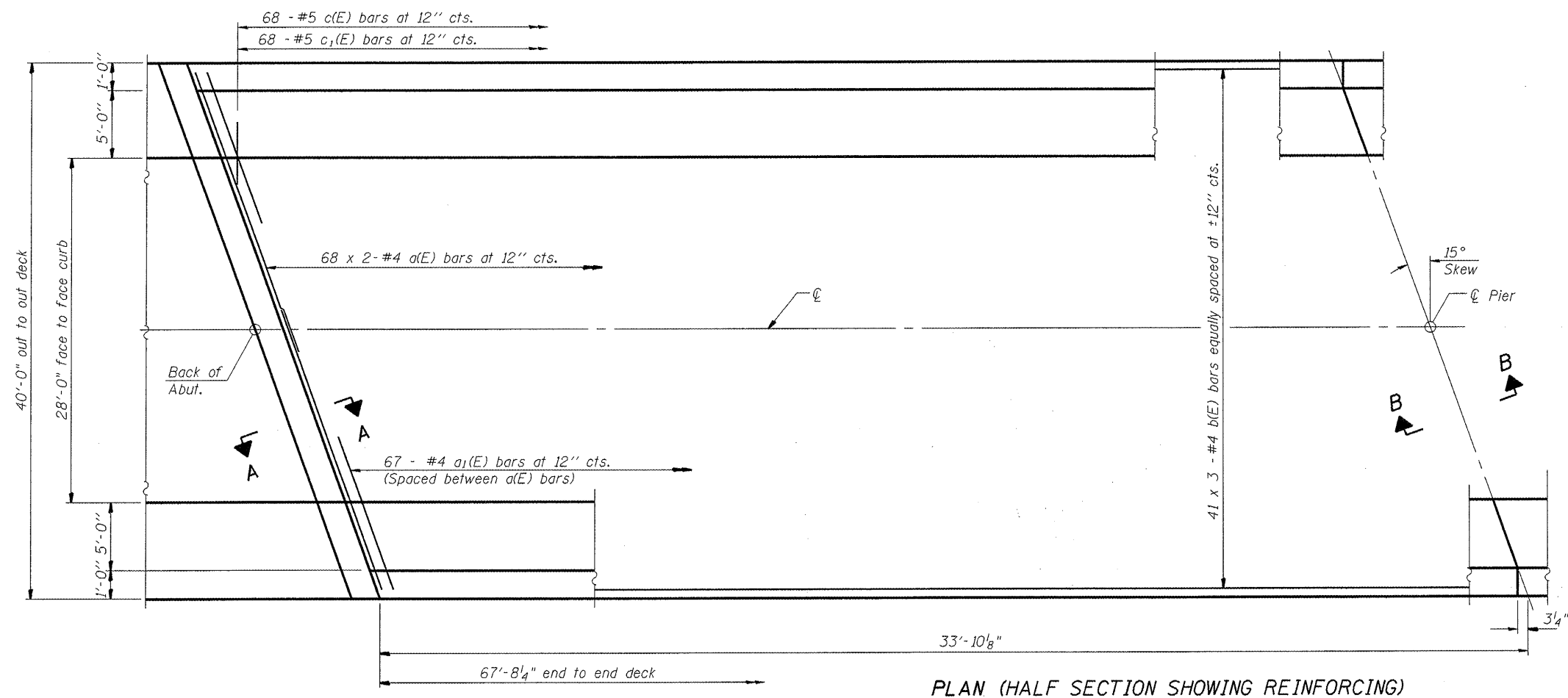
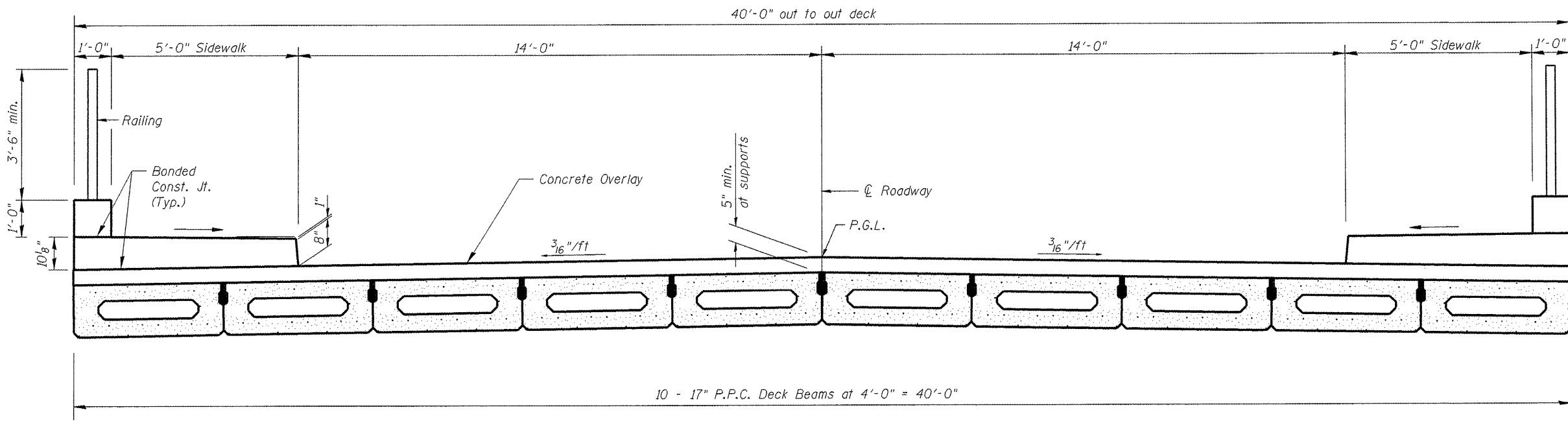


85547



PLAN (HALF SECTION SHOWING REINFORCING)



CROSS SECTION

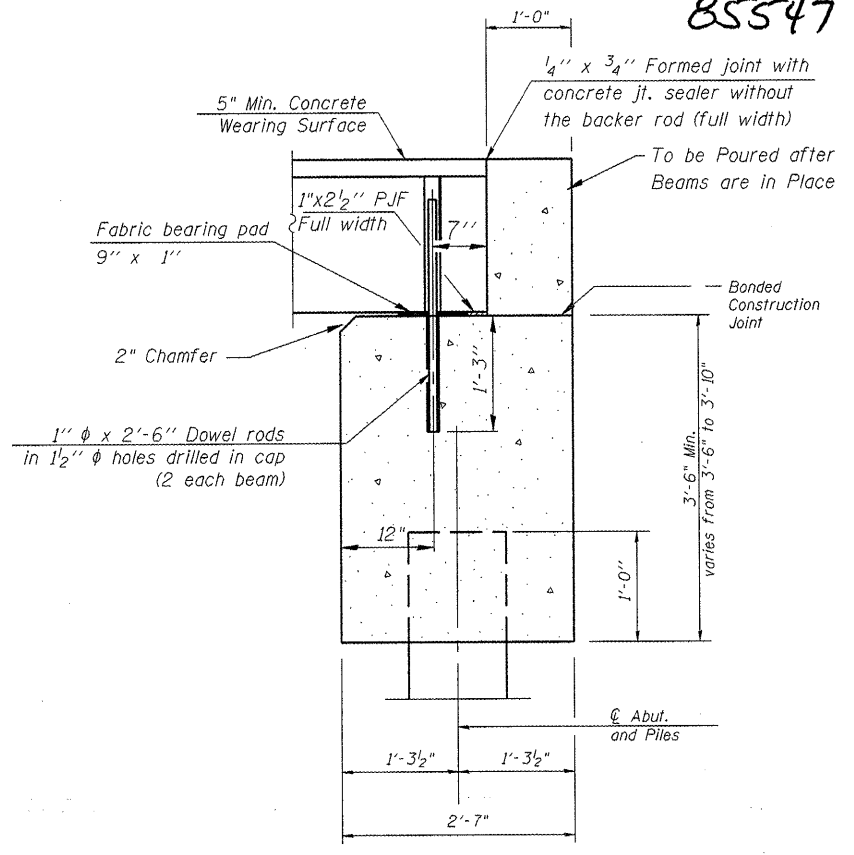
GARDEN PLAIN AVE. OVER LOVES PARK CREEK

Notes:
See sheet S4 of 14 for Superstructure Details and Bill of Material.

Bars indicated thus 20 x 2- #4 etc. indicates 20 lines of bars with 2 lengths per line.

Spacing of a(E) and a1(E) bars shall be measured along the C of structure.

MINIMUM BAR LAP
#4 bar = 2'-7"

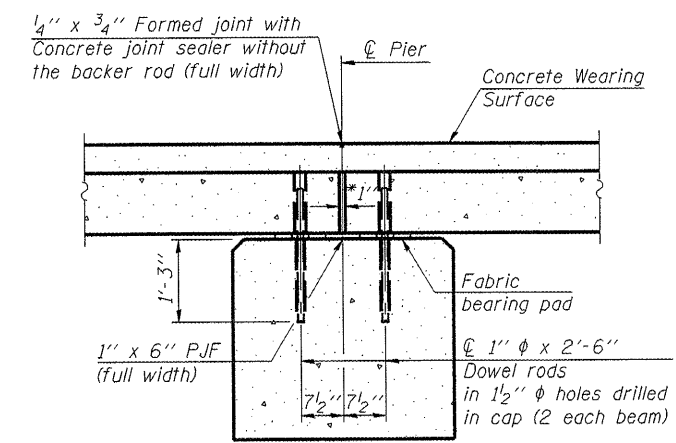


SECTION A-A

(Dimensions are at Rt L's)

Notes:
All concrete wearing surfaces shall be placed prior to casting a backwall and/or approach slab.

See sheet S6 of 14 for fabric bearing pad details.



SECTION B-B

(Dimensions are at Rt. L's)

*1" Jt. shall be filled with non-shrink grout. 1" dimension may vary to accommodate tolerance in beam lengths.

SUPERSTRUCTURE
STRUCTURE NO. 101-6421

McClure
Engineering Associates, Inc.
7282 Argus Drive
Rockford, Illinois 61107-5837
(815) 398-2332 FAX (815) 398-2496
Design Firm License: Illinois 184-000816
Copyright 2012 By McClure Engineering Associates, Inc.

SHEET NO. S3	F.A. RTE.	SECTION	COUNTY	TOTAL SHEETS	SHEET NO.
	-	08-00069-00-BR	WINNEBAGO	21	9
14 SHEETS	CONTRACT NO. 85547				
FED. ROAD DIST. NO. - ILLINOIS FED. AID PROJECT					