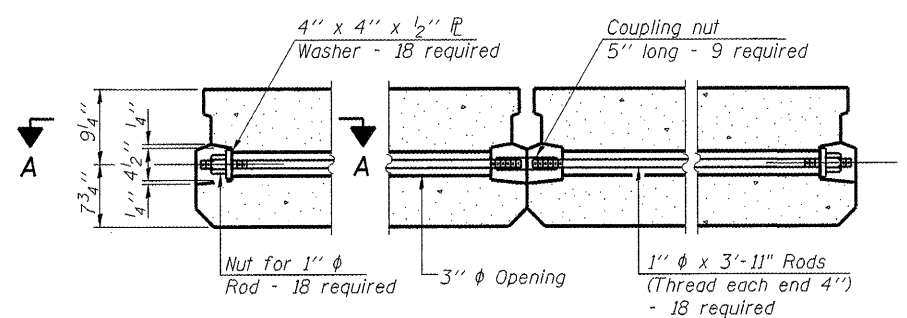


**FABRIC BEARING PAD**  
(Interior)

**FABRIC BEARING PAD**  
(Exterior)

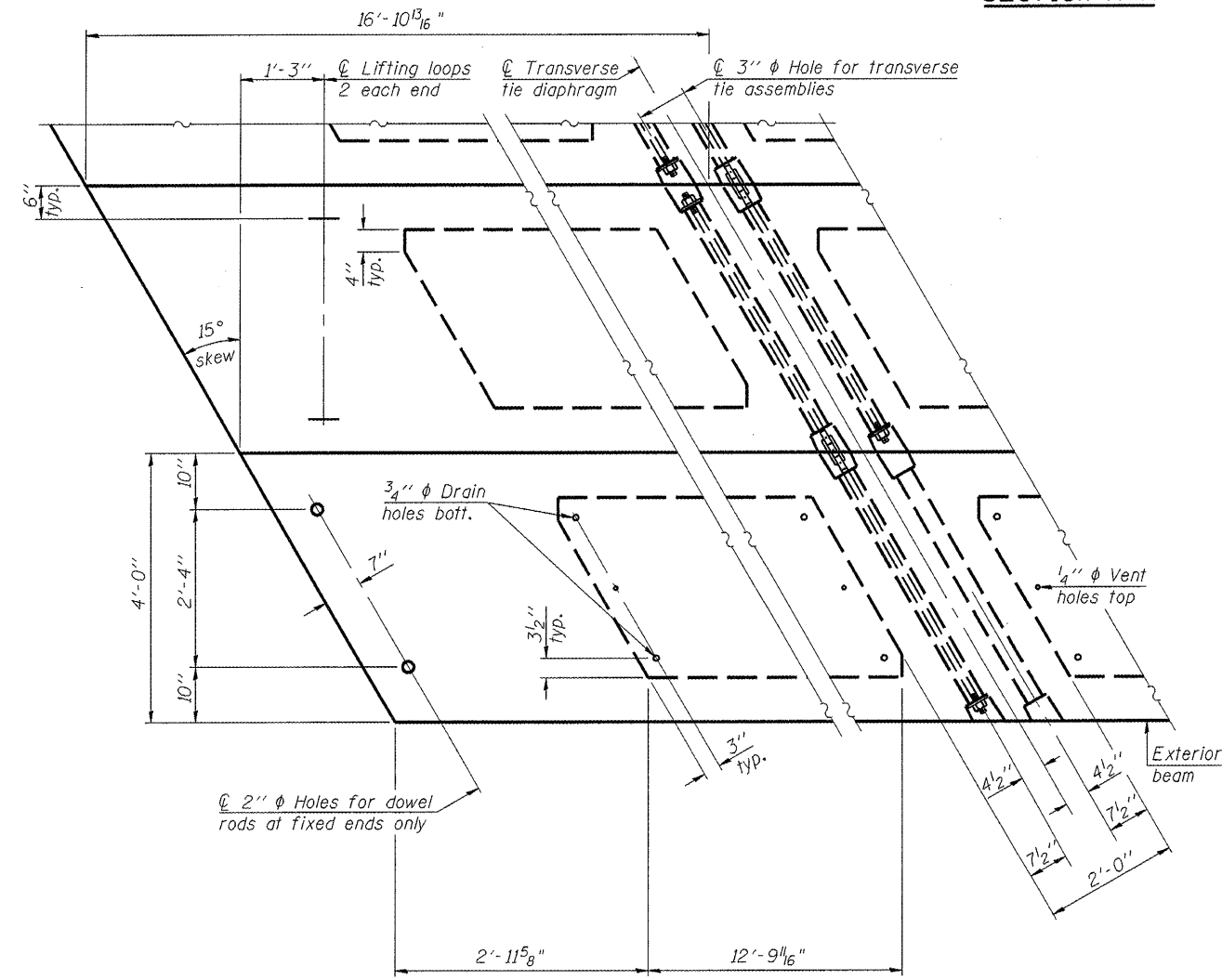
**FIXED**

Note: All bearing pads shall be 1" thick.



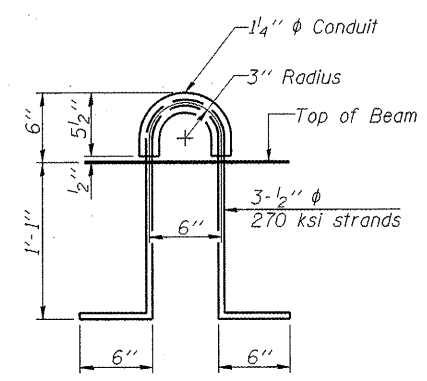
**TYPICAL TRANSVERSE TIE ASSEMBLY**

**SECTION A-A**



**PLAN VIEW**

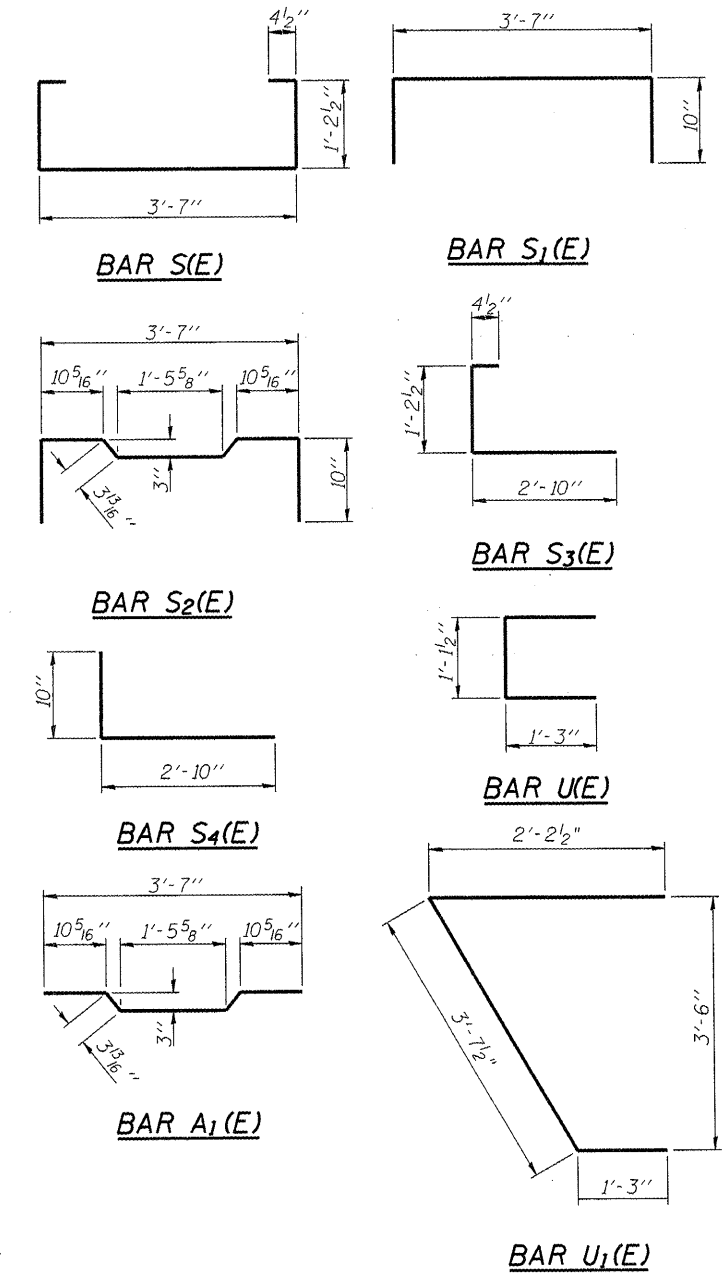
Note: Connect beams in pairs with the transverse tie configuration shown.



**LIFTING LOOP DETAIL**

**NOTES**

- Prestressing steel shall be uncoated high strength, low relaxation 7-wire strand, Grade 270.
- The nominal diameter shall be 1/2" and the nominal cross-sectional area shall be 0.153 sq. in.
- The 1" phi rods in the transverse tie assembly shall be tightened to a snug fit and the threads set. Pockets on exterior faces of bridge shall be filled with grout after transverse tie assembly is in place.
- Reinforcement bars shall conform to ASTM A 706, Grade 60. (See Special Provisions).
- Two 1/8" fabric adjusting shims of the dimensions of the exterior bearing pad shall be provided for each bearing pad location.
- A minimum 2 1/2" phi lifting pin shall be used to engage the lifting loops during handling.
- Corrosion Inhibitor, per Article 1020.05(b)(12) and 1021.06 of the Standard Specifications, shall be used in the concrete for precast prestressed concrete deck beams.
- Compressive strength of prestressed concrete, f'c, shall be 6000 psi.
- Compressive strength of prestressed concrete at release, f'ci, shall be 5000 psi.



**BILL OF MATERIAL**

Precast Prestressed Conc. Deck Bms. (17" depth)	Sq. Ft.	2707
---	---------	------

**17" X 48" PPC DECK BEAM DETAILS  
STRUCTURE NO. 101-6421**

SHEET NO. S6	F.A. RTE.	SECTION	COUNTY	TOTAL SHEETS	SHEET NO.
14 SHEETS	-	08-0069-00-BR	WINNEBAGO	21	12
			CONTRACT NO. 85547		
FED. ROAD DIST. NO.		ILLINOIS FED. AID PROJECT			